



Chipsmall Limited consists of a professional team with an average of over 10 year of expertise in the distribution of electronic components. Based in Hongkong, we have already established firm and mutual-benefit business relationships with customers from,Europe,America and south Asia,supplying obsolete and hard-to-find components to meet their specific needs.

With the principle of "Quality Parts,Customers Priority,Honest Operation,and Considerate Service",our business mainly focus on the distribution of electronic components. Line cards we deal with include Microchip,ALPS,ROHM,Xilinx,Pulse,ON,Everlight and Freescale. Main products comprise IC,Modules,Potentiometer,IC Socket,Relay,Connector.Our parts cover such applications as commercial,industrial, and automotives areas.

We are looking forward to setting up business relationship with you and hope to provide you with the best service and solution. Let us make a better world for our industry!



Contact us

Tel: +86-755-8981 8866 Fax: +86-755-8427 6832

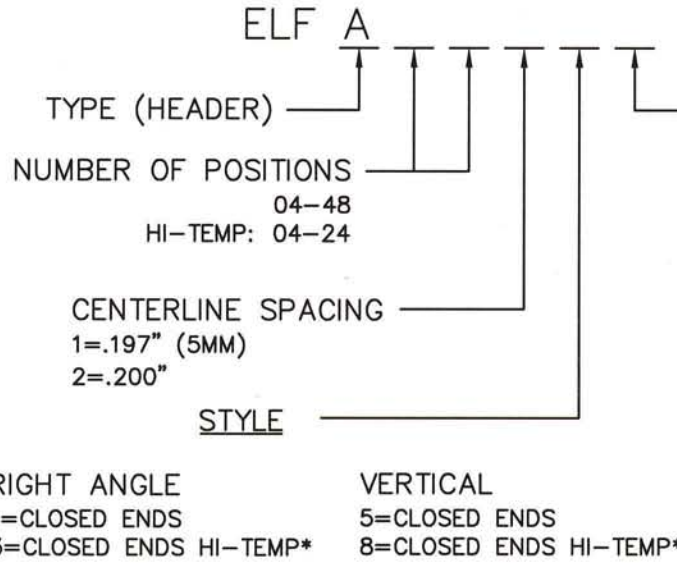
Email & Skype: info@chipsmall.com Web: www.chipsmall.com

Address: A1208, Overseas Decoration Building, #122 Zhenhua RD., Futian, Shenzhen, China



ELFA SERIES PART NUMBERING SCHEME

REV	ECN	APPD
-	3853	JEC 10/26/99
A	3865	JEC 11/9/99
B	4438	IQ 5/22/01
C	4805	IQ 3/22/02
D	5067	IQ 12/28/02
E	5742	RW 12/28/05



- OPTIONS**
- COLOR/PLATING
0=BLACK, TIN (STANDARD)
1=BLACK, SELECTIVE GOLD
- MOUNTING EARS
0E= FLUSH MOUNT BLACK, TIN
1E= FLUSH MOUNT BLACK, SEL. GOLD
GE= FLUSH MOUNT GREEN, TIN
EG= FLUSH MOUNT GREEN, SEL. GOLD
EE= FLUSH MOUNT, STANDARD PLATING

CONSULT PCD FOR PART NO. AND AVAILABILITY OF FOLLOWING OPTIONS:

- CUSTOM COLORS
- CUSTOM MARKING
- CUSTOM KEYING
- SELECTIVE CONTACT LOADING

MATERIALS:
HOUSING: NYLON, UL 94 V-0
 *NYLON 30% GF, UL 94 V-0
CONTACT: BRASS, TIN PLATED
MAX OPERATING TEMPERATURE:
125°C

RU

RATINGS

CURRENT - 15A
VOLTAGE - 300V
U.L. FILE NO. E83421

SP

RATINGS

CURRENT - 15A
VOLTAGE - 300V
CSA FILE NO. LR69703

DIN VDE 0627:1986
DIN VDE 0110-1:1989
EN 60947-1:1991
EN 60947-7-1:1992

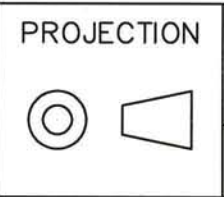
CURRENT - 15A
VOLTAGE - 300 V
TUV FILE NO. 20396

DIMENSIONS

ANSI Y14.5M
UNITS: INCHES
ACAD FILE

TOLERANCES

.XX ±.01
.XXX ±.005
ANGLES ±2



Amphenol Pcd

SPECIFICATION DRAWING

ENGR
J. WILKINSON 10/25/99

TITLE

ELFA SERIES 2- TIER
HEADER ASSY

ORIGINAL
STAMPED
IN RED

*THIS DOCUMENT CONTAINS
PROPRIETARY INFORMATION WHICH
IS THE CONFIDENTIAL PROPERTY
OF AMPHENOL PCD INC. PEABODY, MA*

CHKD
A. PATRIE 10/26/99

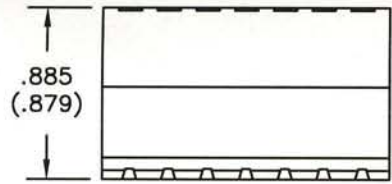
APPD
J. CAHALY 10/26/99

SIZE A	DWG NO. ELFA04110	REV E
CODE: 58982	SCALE: NONE	SHEET 1 OF 2

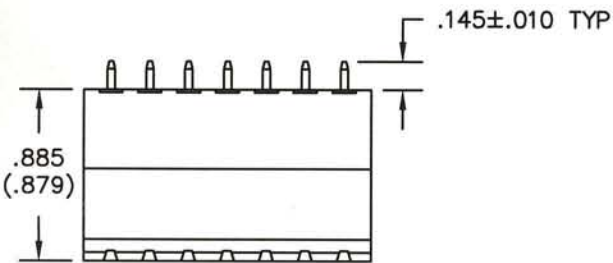
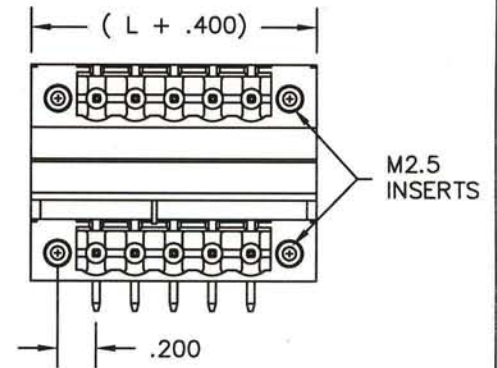
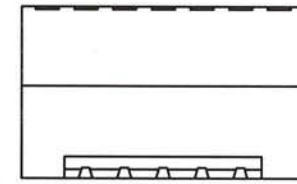
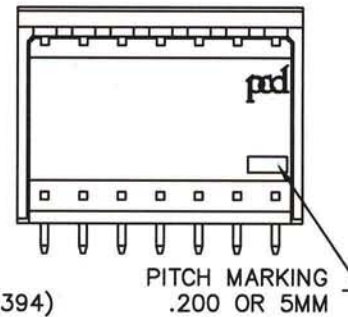
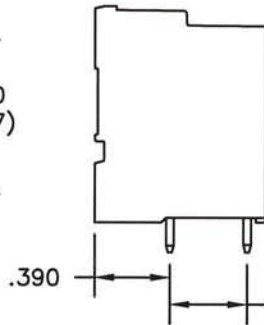
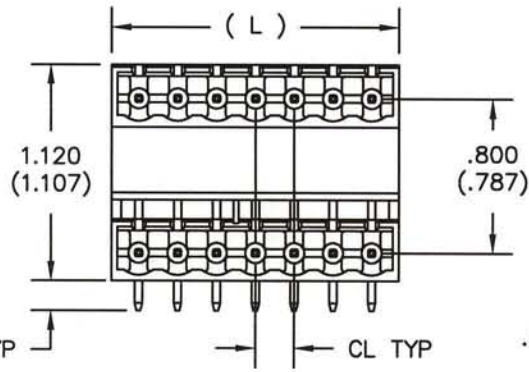
W/OUT EARS

HORIZONTAL

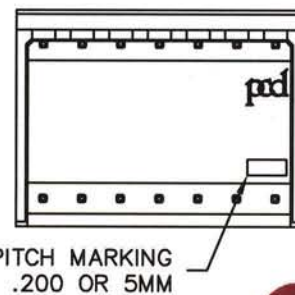
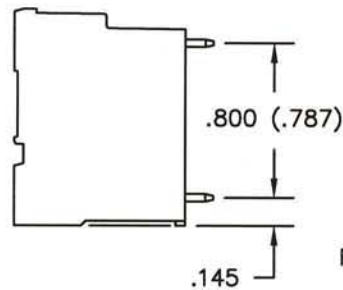
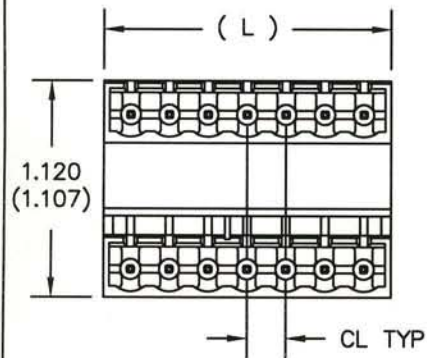
W/ EARS



NOTE:
1. .197 [5mm] PITCH DIMENSIONS INDICATED
IN PARENTHESES.

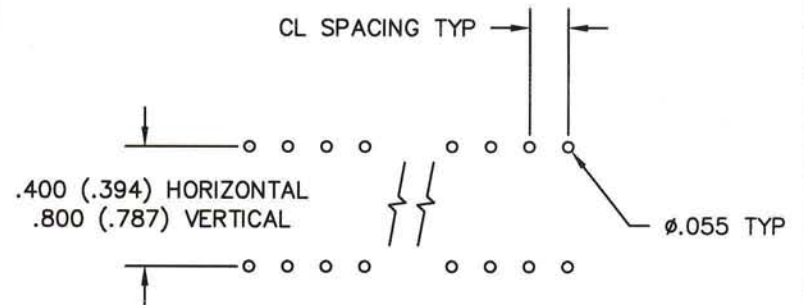


VERTICAL



$$L = 1/2(\text{NUM OF POS} \times \text{CL SPACING}) + .080$$

PRINTED CIRCUIT BOARD CONFIGURATION



RECOMMENDED PCB THICKNESS: .062±.008

SIZE	DWG NO.	REV
A	ELFA04110	E
CODE: 58982	SCALE: NONE	SHEET 2 OF 2