



Chipsmall Limited consists of a professional team with an average of over 10 year of expertise in the distribution of electronic components. Based in Hongkong, we have already established firm and mutual-benefit business relationships with customers from,Europe,America and south Asia,supplying obsolete and hard-to-find components to meet their specific needs.

With the principle of “Quality Parts,Customers Priority,Honest Operation,and Considerate Service”,our business mainly focus on the distribution of electronic components. Line cards we deal with include Microchip,ALPS,ROHM,Xilinx,Pulse,ON,Everlight and Freescale. Main products comprise IC,Modules,Potentiometer,IC Socket,Relay,Connector.Our parts cover such applications as commercial,industrial, and automotives areas.

We are looking forward to setting up business relationship with you and hope to provide you with the best service and solution. Let us make a better world for our industry!



## Contact us

Tel: +86-755-8981 8866 Fax: +86-755-8427 6832

Email & Skype: info@chipsmall.com Web: www.chipsmall.com

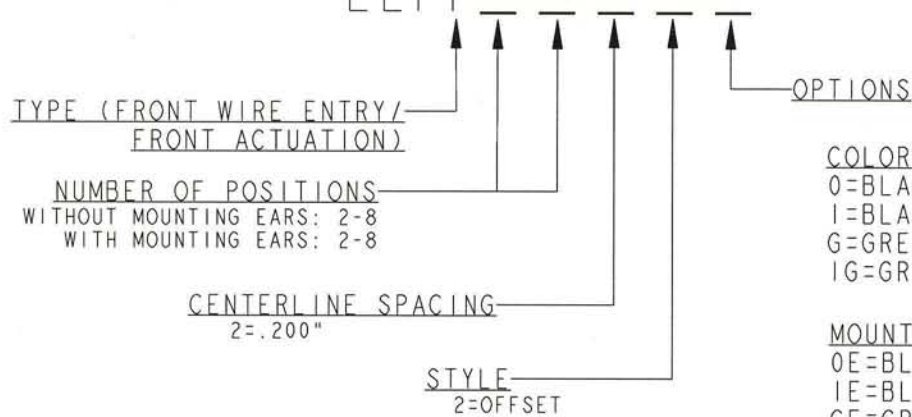
Address: A1208, Overseas Decoration Building, #122 Zhenhua RD., Futian, Shenzhen, China



# ELFF OFFSET SERIES PART NUMBERING SCHEME

REV	ECN	APP'D
-	4494	10/10/31/01
A	4686	10/1/2/02
B	5742	DW 12/28/05

ELFF



COLOR/ PLATING  
 0=BLACK, TIN (STANDARD)  
 1=BLACK, SELECTIVE GOLD  
 G=GREEN, TIN  
 1G=GREEN, SEL. GOLD

MOUNTING EARS  
 0E=BLACK, TIN  
 1E=BLACK, SEL. GOLD  
 GE=GREEN, TIN  
 EG=GREEN, SEL. GOLD

CONSULT PCD FOR PART NO. AND AVAILABILITY OF FOLLOWING OPTIONS:  
 \*CUSTOM COLORS \*CUSTOM KEYING  
 \*CUSTOM MARKING \*SELECTIVE CONTACT LOADING  
 \*NUMBER OF POSITIONS 9-24

### INSTALLATION RECOMMENDATIONS:

WIRE RANGE: AWG #14-26, STRANDED OR SOLID,  
 AWG #12 STRANDED  
 WIRE STRIP LENGTH: AWG #14-26: .310" (7,87mm)  
 AWG #12: .490" (12,45mm)  
 TIGHTENING TORQUE: 7 LB-IN.

MATERIALS:  
 HOUSING: PPO, UL 94 V-0  
 CONTACT: PHOSPHOR BRONZE, TIN FINISH  
 SCREW: STEEL, NICKEL FINISH  
 WIRE CLAMP: COPPER ALLOY, NICKEL FINISH  
 MAX OPERATING TEMP: 105°C



RATINGS

CURRENT - 15A  
 VOLTAGE - 300V

U.L. FILE NO. E83421



RATINGS

CURRENT - 15 A  
 VOLTAGE - 300 V

CSA FILE NO. PENDING

DIN VDE 0627:1986  
 DIN VDE 0110-1:1989  
 EN 60947-1:1991  
 EN 60947-7-1:1992

CURRENT - 15 A  
 VOLTAGE - 300 V  
 TUV FILE NO. PENDING

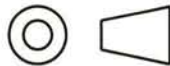
### DIMENSIONS

ANSI Y14.5M  
 UNITS: INCHES  
 Pro/E FILE

### TOLERANCES

.XX ±0.01  
 .XXX ±0.005  
 ANGLES ±2.0°

### PROJECTION



## Amphenol Pcd

ENGR

C. LASHUA 5/21/01

CHKD

A. PATRIE 10/30/01

APPD

I. QUINN 10/31/01

### TITLE

ELF SERIES  
 OFFSET FRONT/FRONT  
 PLUGGABLE TERMINAL BLOCK

ORIGINAL  
 STAMPED  
 IN RED

THIS DOCUMENT CONTAINS  
 PROPRIETARY INFORMATION WHICH  
 IS THE CONFIDENTIAL PROPERTY  
 OF AMPHENOL PCD, INC.  
 PEABODY, MA, USA

SIZE

A

DWG NO.

ELFF02220

REV

B

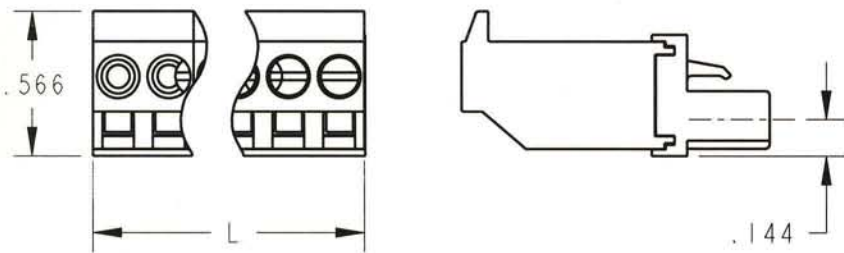
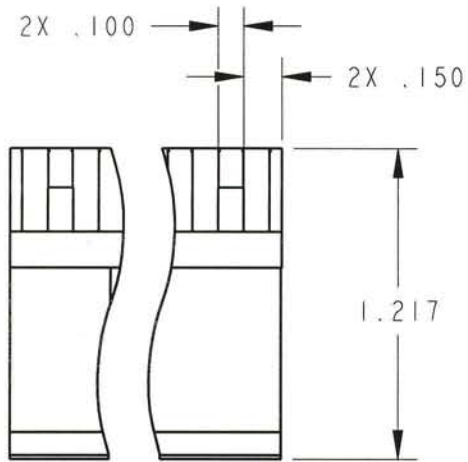
CODE: 58982

SCALE: NONE

SHEET 1 OF 2

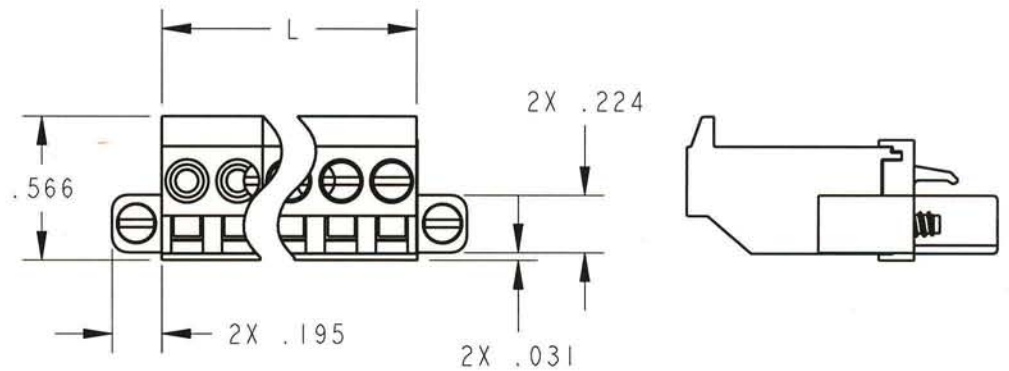
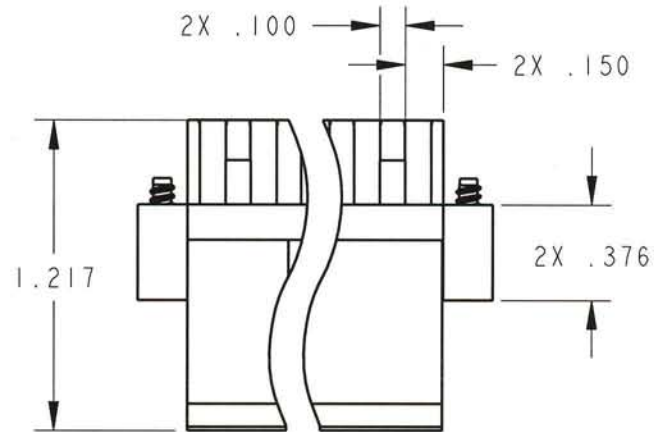
WITHOUT MOUNTING EARS

L=NUM OF POS X CL SPACING



WITH MOUNTING EARS

L=NUM OF POS X CL SPACING



SIZE <b>A</b>	DWG NO. ELFF02220	REV B
CODE: 58982	SCALE: NONE	SHEET 2 OF 2