



Chipsmall Limited consists of a professional team with an average of over 10 year of expertise in the distribution of electronic components. Based in Hongkong, we have already established firm and mutual-benefit business relationships with customers from,Europe,America and south Asia,supplying obsolete and hard-to-find components to meet their specific needs.

With the principle of “Quality Parts,Customers Priority,Honest Operation,and Considerate Service”,our business mainly focus on the distribution of electronic components. Line cards we deal with include Microchip,ALPS,ROHM,Xilinx,Pulse,ON,Everlight and Freescale. Main products comprise IC,Modules,Potentiometer,IC Socket,Relay,Connector.Our parts cover such applications as commercial,industrial, and automotives areas.

We are looking forward to setting up business relationship with you and hope to provide you with the best service and solution. Let us make a better world for our industry!



## Contact us

Tel: +86-755-8981 8866 Fax: +86-755-8427 6832

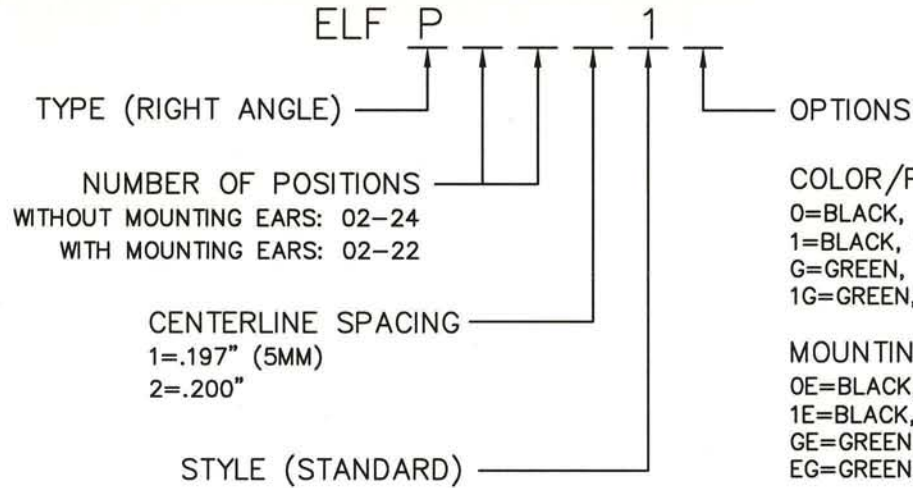
Email & Skype: info@chipsmall.com Web: www.chipsmall.com

Address: A1208, Overseas Decoration Building, #122 Zhenhua RD., Futian, Shenzhen, China



# ELFP SERIES PART NUMBERING SCHEME

REV	ECN	APPD
-	3600	JEC 12/11/98
A	3865	JEC 11/9/99
B	4686	IQ 1/2/02
C	4761	IQ 2/20/02
D	4821	IQ 4/4/02
E	5742	2W 12/28/05



**COLOR/PLATING**  
 0=BLACK, TIN (STANDARD)  
 1=BLACK, SELECTIVE GOLD  
 G=GREEN, TIN  
 1G=GREEN, SEL. GOLD

**MOUNTING EARS**  
 OE=BLACK, TIN  
 1E=BLACK, SEL. GOLD  
 GE=GREEN, TIN  
 EG=GREEN, SEL. GOLD

CONSULT PCD FOR PART NO. AND AVAILABILITY OF FOLLOWING OPTIONS:

- \* CUSTOM COLORS
- \* CUSTOM MARKING
- \* CUSTOM KEYING
- \* SELECTIVE CONTACT LOADING

**CENTERLINE SPACING**  
 1=.197" (5MM)  
 2=.200"

**STYLE (STANDARD)**

**UL RATINGS**  
 CURRENT - 15A  
 VOLTAGE - 300V  
 U.L. FILE NO. E83421

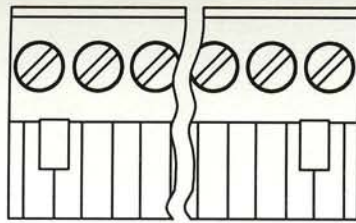
**SA RATINGS**  
 CURRENT - 15A  
 VOLTAGE - 300V  
 CSA FILE NO. LR69703

DIN VDE 0627:1986  
 DIN VDE 0110-1:1989  
 EN 60947-1:1991  
 EN 60947-7-1:1992  
 CURRENT - 15A  
 VOLTAGE - 300 V  
 TUV FILE NO. 20396

**INSTALLATION RECOMMENDATIONS:**  
 WIRE RANGE: AWG #14-26, STRANDED OR SOLID; AWG #12 STRANDED  
 WIRE STRIP LENGTH: .310"  
 TIGHTENING TORQUE: 7 LB-IN.

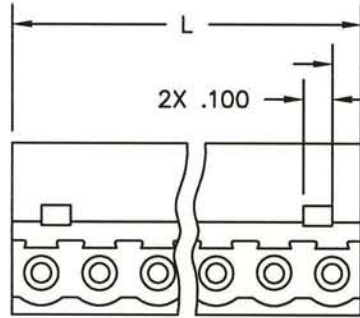
**MATERIALS:**  
 HOUSING: PPO, UL 94 V-0  
 CONTACT: COPPER ALLOY, OPTIONAL FINISH  
 SCREW: STEEL, NICKEL FINISH  
 WIRE CLAMP: COPPER ALLOY, NICKEL FINISH  
 OPERATING TEMPERATURE RANGE:  
 -40°C-95°C

<b>DIMENSIONS</b> ANSI Y14.5M UNITS: INCHES ACAD FILE	<b>TOLERANCES</b> .XX ±.01 .XXX ±.005 ANGLES ±2°	<b>PROJECTION</b> 	<b>Amphenol Pcd</b> SPECIFICATION DRAWING		<b>TITLE</b> ELFP SERIES PLUGGABLE TERMINAL BLOCK, RIGHT ANGLE		
			ENGR J. WILKINSON 11/8/98				
ORIGINAL STAMPED IN RED	THIS DOCUMENT CONTAINS PROPRIETARY INFORMATION WHICH IS THE CONFIDENTIAL PROPERTY OF AMPHENOL PCD INC. PEABODY, MA		CHKD A. PATRIE 12/4/98		CODE: 58982	SCALE: NONE	SHEET 1 OF 2
			APPD J. CAHALY 12/11/98				

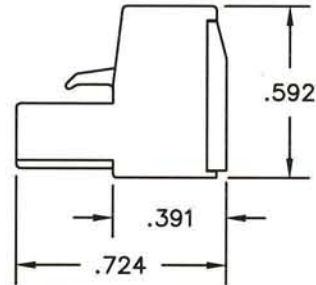


WITHOUT MOUNTING EARS

L=NUM OF POS X CL SPACING

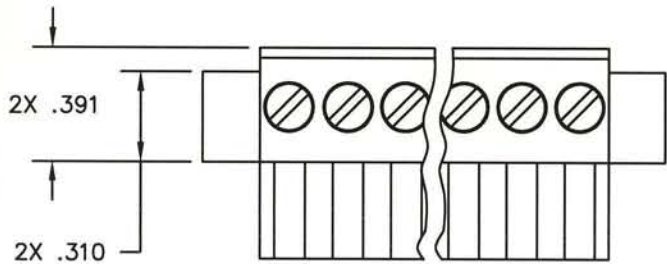


2X .097 (.197 CL)  
.100 (.200 CL)

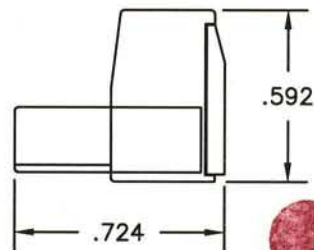
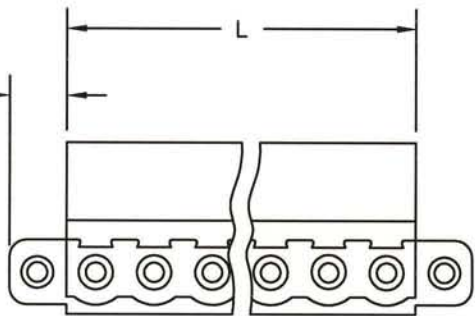


WITH MOUNTING EARS

L=NUM OF POS X CL SPACING



2X .196



SIZE	DWG NO.	REV
A	ELFP02110	E
CODE: 58982	SCALE: NONE	SHEET 2 OF 2