



Chipsmall Limited consists of a professional team with an average of over 10 year of expertise in the distribution of electronic components. Based in Hongkong, we have already established firm and mutual-benefit business relationships with customers from,Europe,America and south Asia,supplying obsolete and hard-to-find components to meet their specific needs.

With the principle of “Quality Parts,Customers Priority,Honest Operation,and Considerate Service”,our business mainly focus on the distribution of electronic components. Line cards we deal with include Microchip,ALPS,ROHM,Xilinx,Pulse,ON,Everlight and Freescale. Main products comprise IC,Modules,Potentiometer,IC Socket,Relay,Connector.Our parts cover such applications as commercial,industrial, and automotives areas.

We are looking forward to setting up business relationship with you and hope to provide you with the best service and solution. Let us make a better world for our industry!



Contact us

Tel: +86-755-8981 8866 Fax: +86-755-8427 6832

Email & Skype: info@chipsmall.com Web: www.chipsmall.com

Address: A1208, Overseas Decoration Building, #122 Zhenhua RD., Futian, Shenzhen, China



ELM SERIES PART NUMBERING SCHEME

REV	ECN	APPD
A	3891	JEC 12/22/99
B	5742	RN 12/28/05

ELM

NUMBER OF POSITIONS
(ASSEMBLIES COMPRISED OF TWO
AND/OR THREE POS MODULES)

STYLE
1=HORIZONTAL WIRE ENTRY
3=ANGLED WIRE ENTRY
9=VERTICAL WIRE ENTRY

CENTERLINE SPACING
1 = .197" (5MM)
2 = .200"
3 = .394" (10MM) W/ PLUG INSERT, CONTACT LEADING
4 = .400" W/ PLUG INSERT, CONTACT LEADING
5 = .394" (10MM) W/ PLUG INSERT, PLUG LEADING
6 = .400" W/ PLUG INSERT, PLUG LEADING

OPTIONS
00=BLACK (STANDARD)
0G=GREEN

CONSULT PCD FOR PART NO. AND
AVAILABILITY OF FOLLOWING OPTIONS:
- CUSTOM COLORS
- CUSTOM MARKING
- LOCK-DOWN EARS



RATINGS

CURRENT - 10A
VOLTAGE - 300V, 600V*
U.L. FILE NO. E83421



RATINGS

CURRENT - 10A
VOLTAGE - 300V, 600V*
CSA FILE NO. LR69703

DIN VDE 0627:1986
DIN VDE 0110-1:1989
EN 60947-1:1991
EN 60947-7-1:1992

CURRENT - N/A
VOLTAGE - N/A
TUV FILE NO. N/A

* PENDING
CL SPACING CODE:
3, 4, 5, 6

INSTALLATION
RECOMMENDATIONS:
WIRE RANGE: AWG #12-28
WIRE STRIP LENGTH: .250"
TIGHTENING TORQUE: 7 LB-IN.

MATERIALS:
HOUSING: PBT, UL 94 V-0
CONTACT: BRASS, TIN FINISH
SCREW: COPPER ALLOY, NICKEL FINISH
WIRE CLAMP: COPPER ALLOY, NICKEL FINISH

MAX OPERATING TEMPERATURE:
105°C

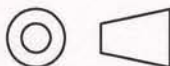
DIMENSIONS

ANSI Y14.5M
UNITS: INCHES
ACAD FILE

TOLERANCES

.XX ±.01
.XXX ±.005
ANGLES ±2°

PROJECTION



Amphenol Pcd

SPECIFICATION DRAWING

ENGR
J. WILKINSON 12/22/99

CHKD
A. PATRIE 12/8/98

APPD
J. CAHALY 12-11-98

TITLE

ELM SERIES
TERMINAL BLOCK
BOARD MOUNT

ORIGINAL
STAMPED
IN RED

*THIS DOCUMENT CONTAINS
PROPRIETARY INFORMATION WHICH
IS THE CONFIDENTIAL PROPERTY
OF AMPHENOL PCD INC. PEABODY, MA*

SIZE DWG NO.

A

ELM021100

REV

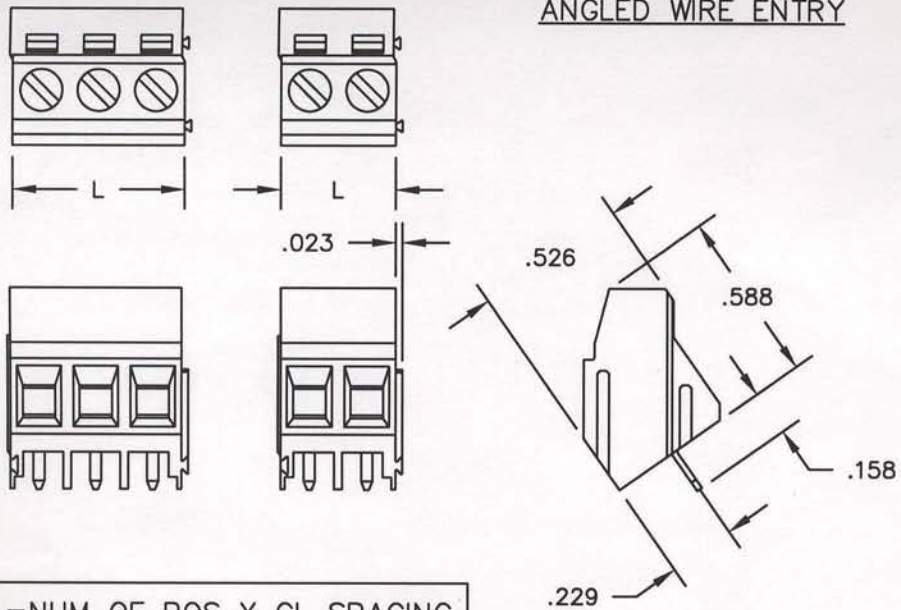
B

CODE: 58982

SCALE: NONE

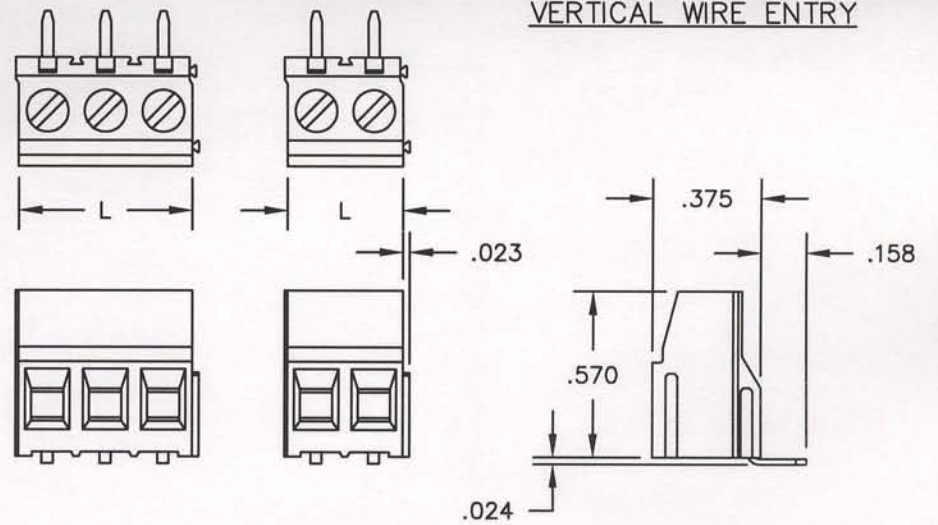
SHEET 1 OF 3

ANGLED WIRE ENTRY



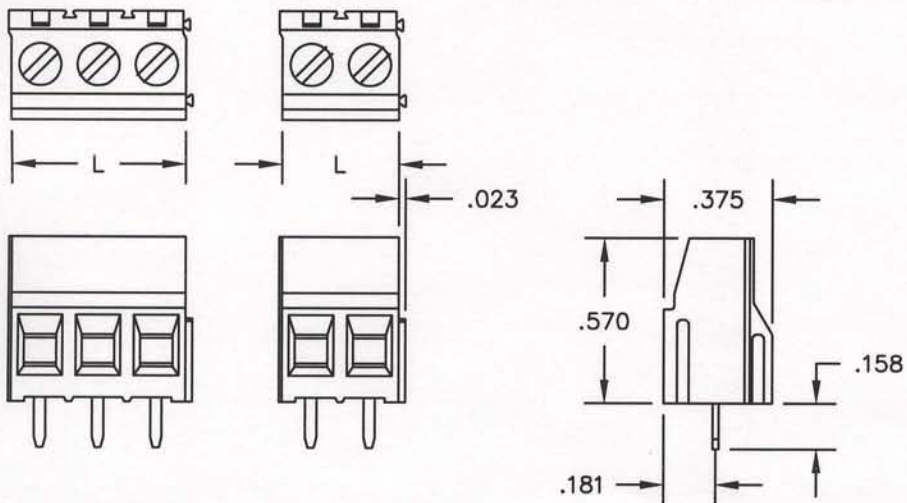
L=NUM OF POS X CL SPACING

VERTICAL WIRE ENTRY



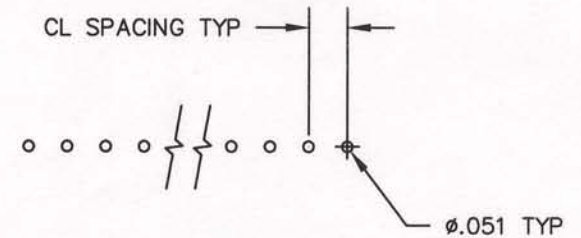
L=NUM OF POS X CL SPACING

HORIZONTAL WIRE ENTRY



L=NUM OF POS X CL SPACING

PRINTED CIRCUIT BOARD CONFIGURATION



RECOMMENDED PCB THICKNESS: .062±.008

SIZE

DWG NO.

REV

A

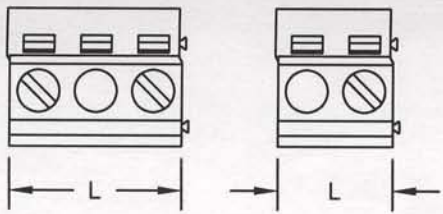
ELM021100

B

CODE: 58982

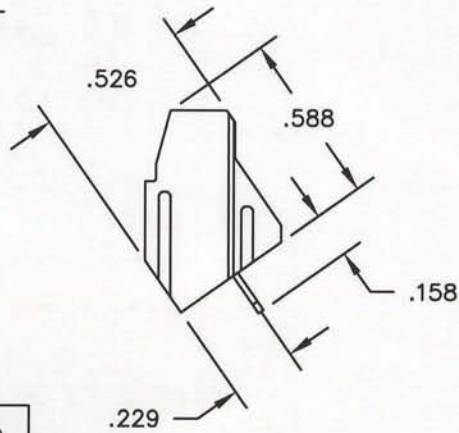
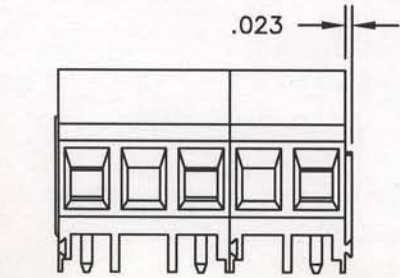
SCALE: NONE

SHEET 2 OF 3

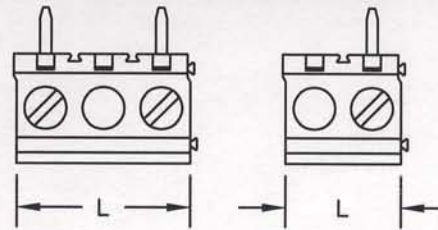


ANGLED WIRE ENTRY

.400" / 10MM CL

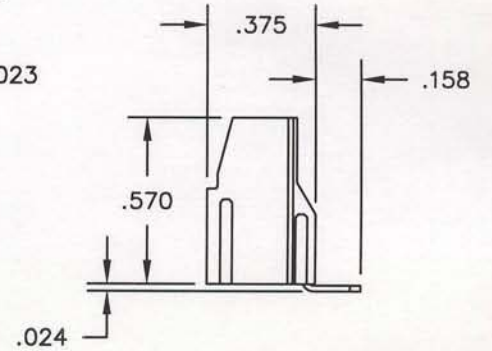
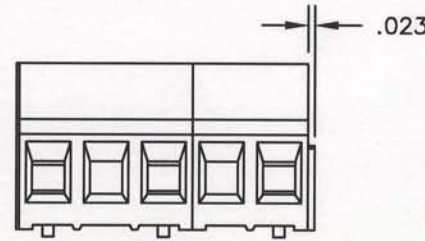


$L = \text{NUM OF POS} \times \text{CL} - \text{CL}/2$

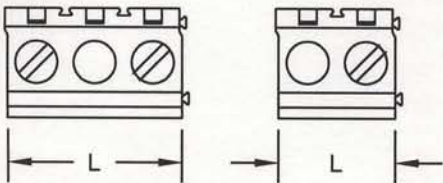


VERTICAL WIRE ENTRY

.400" / 10MM CL

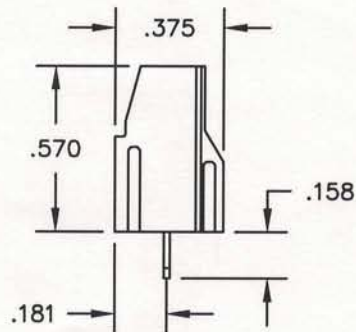
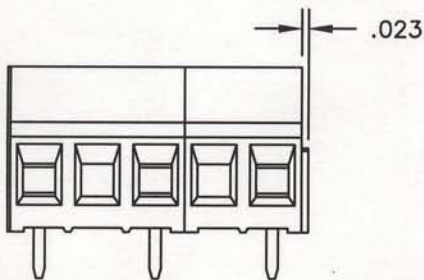


$L = \text{NUM OF POS} \times \text{CL} - \text{CL}/2$



HORIZONTAL WIRE ENTRY

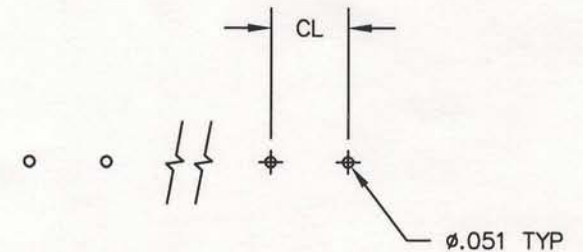
.400" / 10MM CL



$L = \text{NUM OF POS} \times \text{CL} - \text{CL}/2$

PRINTED CIRCUIT BOARD CONFIGURATION

.400" / 10MM CL



RECOMMENDED PCB THICKNESS: .062±.008

SIZE	DWG NO.	REV
A	ELM021100	B
CODE: 58982	SCALE: NONE	SHEET 3 OF 3