



Chipsmall Limited consists of a professional team with an average of over 10 year of expertise in the distribution of electronic components. Based in Hongkong, we have already established firm and mutual-benefit business relationships with customers from,Europe,America and south Asia,supplying obsolete and hard-to-find components to meet their specific needs.

With the principle of “Quality Parts,Customers Priority,Honest Operation,and Considerate Service”,our business mainly focus on the distribution of electronic components. Line cards we deal with include Microchip,ALPS,ROHM,Xilinx,Pulse,ON,Everlight and Freescale. Main products comprise IC,Modules,Potentiometer,IC Socket,Relay,Connector.Our parts cover such applications as commercial,industrial, and automotives areas.

We are looking forward to setting up business relationship with you and hope to provide you with the best service and solution. Let us make a better world for our industry!



Contact us

Tel: +86-755-8981 8866 Fax: +86-755-8427 6832

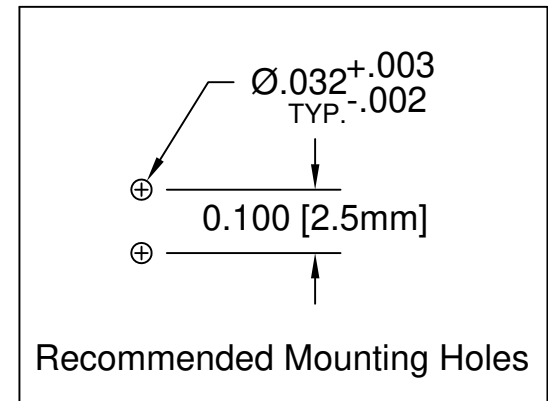
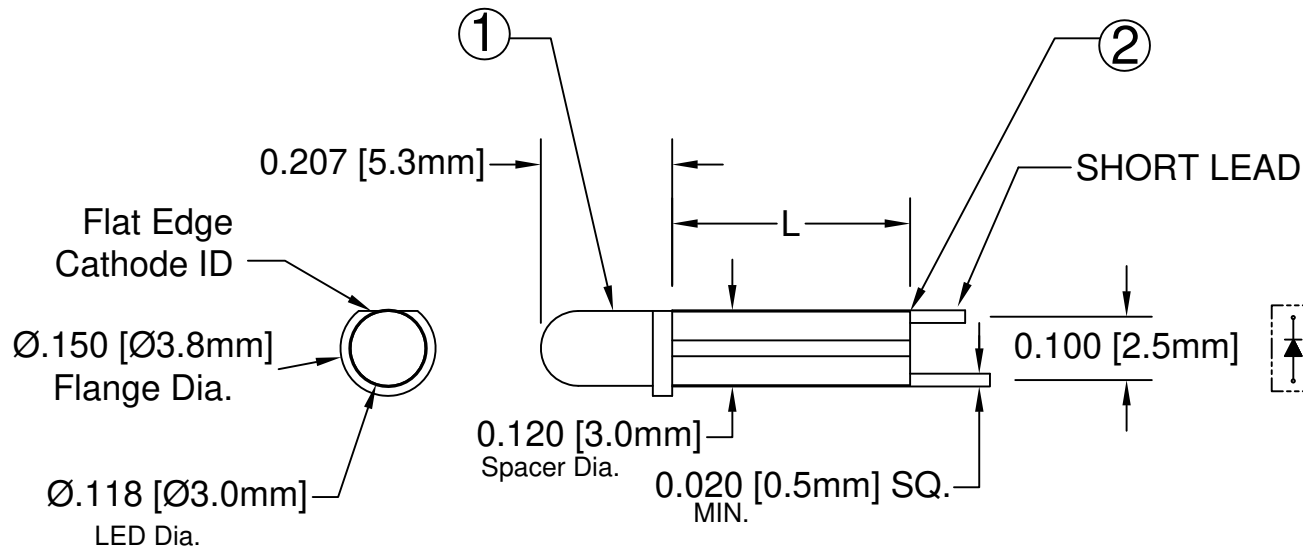
Email & Skype: info@chipsmall.com Web: www.chipsmall.com

Address: A1208, Overseas Decoration Building, #122 Zhenhua RD., Futian, Shenzhen, China




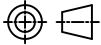
ITEM	Q'TY	PART NUMBER	PART DESCRIPTION
1	1	3XX-F	T-1 (3mm) Flanged LED, See Page 2
2	1	ELM 7-XXX	Extruded, Self-Retaining LED Spacer

REV.	DESCRIPTION	DATE	APPROVED
B	Changed "L" Dimension	04/05/06	M. C.
C	Update LED, EMN-ELMXXX3XX	08/22/06	M. C.
D	Removed Tolerance Note.	09/03/08	M. C.
E	Added Tape & Reel Options.	06/07/11	T. Y.
F	Tape & Reel Design Update.	11/21/11	T. Y.
G	Corrected P/N Typo in BOM.	09/24/13	T. Y.
H	Engineering Update w/o Changes	05/25/16	J. C.




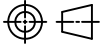
ABSOLUTE MAXIMUM RATINGS (Ta=25° C)

REVERSE VOLTAGE _____	5V
REVERSE CURRENT _____	100µA
OPERATING TEMPERATURE RANGE _____	-40° C - 85° C
STORAGE TEMPERATURE _____	-40° C - 100° C
LEAD SOLDERING TEMPERATURE(1/16" FROM BODY) _____	260° C FOR 5 SECONDS

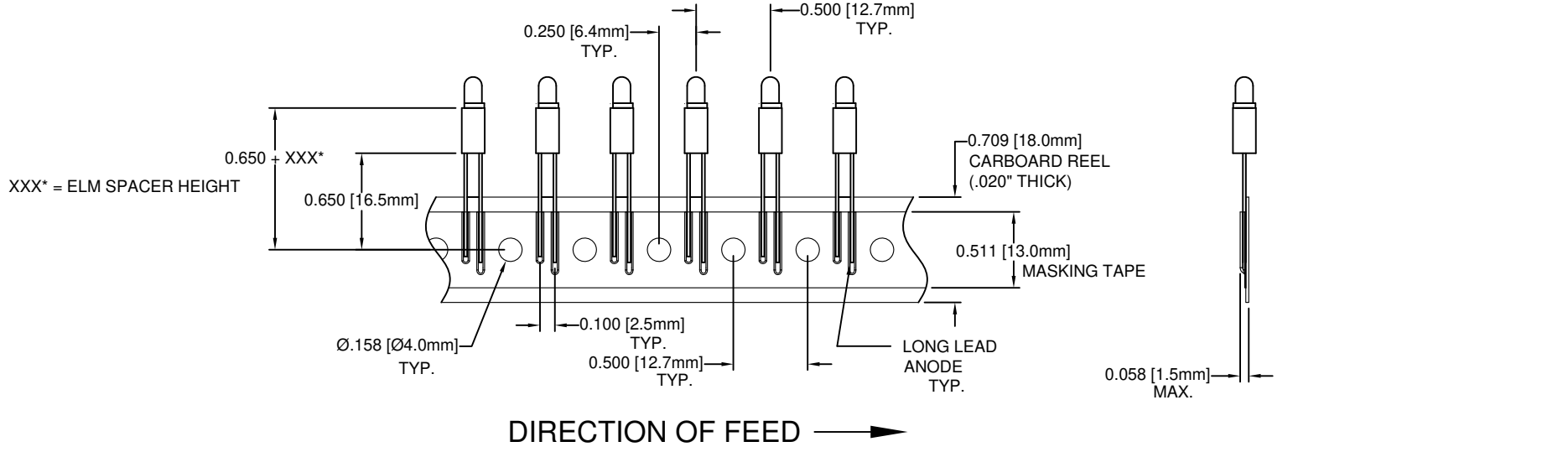
STANDARD TOLERANCE (UNLESS OTHERWISE SPECIFIED)		 4 THOMAS, IRVINE, CA. 92618 TEL: (949) 951-8808 FAX: (949) 951-3974	
DECIMALS	ANGULAR		
.X ± .1	X° ± 1°		
.XX ± .02			TITLE: EXTRUDED VERTICAL T-1 (3mm) LED STANDARD PROFILE SPACER ASSY
.XXX ± .010			PART NO: ELM7XXX3XX
DESIGNED: D. Green	DATE: 12/23/04	CAGE CODE : 32559 SHEET # 1 OF 3	
CHECKED: T. Yin	DATE: 12/23/04	CAD GENERATED DOCUMENT. DO NOT MEASURE DRAWING.	

REV.	DESCRIPTION	DATE	APPROVED
	SEE SHEET #1.		

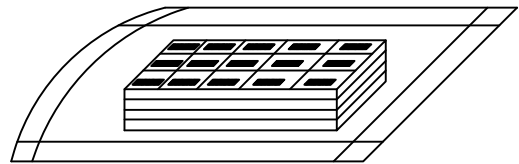
LED Assy. No.	Peak Wave Length λ_p (nm)	Emitted Color	Lens Appearance	Electro-Optical Data				Viewing Angle $2\theta \frac{1}{2}$ (Deg)	LED P/N
				If (mA)	Vf (V)		Iv (mcd)		
				TYP	TYP	MAX	TYP		
STANDARD				Data @ 20m A					
ELM7XXX3BWD	430	BLUE	DIFFUSED	20	4.0	4.5	20.0	45	3BWD-F
ELM7XXX3GD	565	GREEN	DIFFUSED	20	2.2	2.6	30.0	45	3GD-F
ELM7XXX3YD	585	YELLOW	DIFFUSED	20	2.1	2.6	20.0	45	3YD-F
ELM7XXX3HD	635	HE RED	DIFFUSED	20	2.0	2.6	30.0	45	3HD-F
ELM7XXX3RD	655	RED	DIFFUSED	20	1.7	2.0	6.0	45	3RD-F
ELM7XXX3SRD	660	SUPER RED	DIFFUSED	20	1.7	2.6	90.0	45	3SRD-F
LOW CURRENT				Data @ 2m A					
ELM7XXX3GDL	565	GREEN	DIFFUSED	5	1.9	2.2	6.0	45	3GDL-F
ELM7XXX3YDL	585	YELLOW	DIFFUSED	5	1.9	2.2	4.0	45	3YDL-F
ELM7XXX3HDL	635	HE RED	DIFFUSED	5	1.8	2.2	6.0	45	3HDL-F
5 VOLT				Data @ 5V					
ELM7XXX3GD5V	565	GREEN	DIFFUSED	8	-	5.0	30.0	45	3GD5V-F
ELM7XXX3YD5V	585	YELLOW	DIFFUSED	8	-	5.0	20.0	45	3YD5V-F
ELM7XXX3HD5V	635	HE RED	DIFFUSED	8	-	5.0	30.0	45	3HD5V-F

STANDARD TOLERANCE (UNLESS OTHERWISE SPECIFIED) $\pm 10\%$ ALL VALUES ANGULAR		 BIVAR [®] 4 THOMAS, IRVINE, CA. 92618 TEL: (949) 951-8808 FAX: (949) 951-3974	
			
DESIGNED: D. Green	DATE: 12/23/04	TITLE: EXTRUDED VERTICAL T-1 (3mm) LED STANDARD PROFILE SPACER ASSY	
CHECKED: T. Yin	DATE: 12/23/04	PART NO: ELM7XXX3XX	REVISION: H
		CAGE CODE : 32559	SHEET # 2 OF 3
CAD GENERATED DOCUMENT. DO NOT MEASURE DRAWING.			

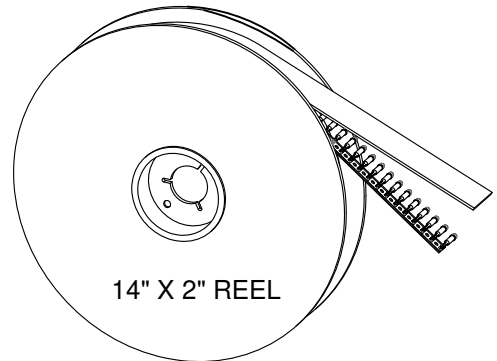
REV.	DESCRIPTION	DATE	APPROVED
	SEE SHEET #1		



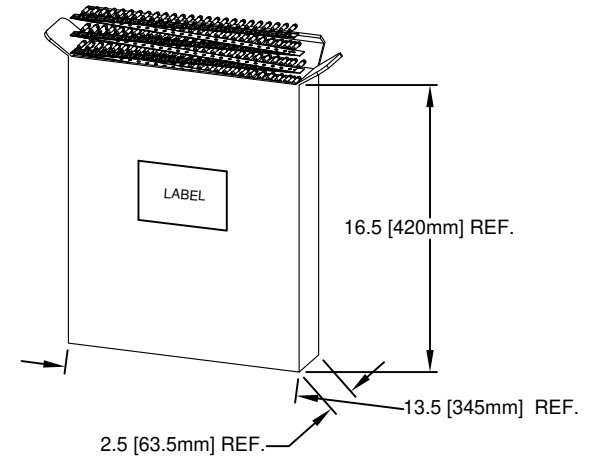
DIRECTION OF FEED →



STANDARD PACKAGING TRAY



TAPE & REEL
1,000 pcs / reel



AMMO PACK
2,000 pcs / box

NOTE:

1. STANDARD PART NUMBERS ARE PACKAGED IN LOOSE PIECES USING PACKAGING TRAYS
2. ADD "T" SUFFIX TO PART NUMBER FOR TAPE AND REEL PACKAGING OPTION (1,000 PCS/REEL)
3. ADD "A" SUFFIX TO PART NUMBER FOR AMMO PACK OPTION (2,000 PCS/BOX)
4. TAPE AND REEL PACKAGING COMPLY TO EIA-468-C

STANDARD TOLERANCE (UNLESS OTHERWISE SPECIFIED)		 BIVAR [®] 4 THOMAS, IRVINE, CA. 92618 TEL: (949) 951-8808 FAX: (949) 951-3974	
DECIMALS	ANGULAR		
.X ± .1	X° ± 1°	TITLE: EXTRUDED VERTICAL T-1 (3mm) LED STANDARD PROFILE SPACER ASSY PART NO: ELM7XXX3XX REVISION: H	
.XX ± .02			
.XXX ± .010			
DESIGNED: D. Green	DATE: 12/23/04	CAGE CODE : 32559 SHEET # 3 OF 3 CAD GENERATED DOCUMENT. DO NOT MEASURE DRAWING.	
CHECKED: T. Yin	DATE: 12/23/04		