



Chipsmall Limited consists of a professional team with an average of over 10 year of expertise in the distribution of electronic components. Based in Hongkong, we have already established firm and mutual-benefit business relationships with customers from,Europe,America and south Asia,supplying obsolete and hard-to-find components to meet their specific needs.

With the principle of “Quality Parts,Customers Priority,Honest Operation,and Considerate Service”,our business mainly focus on the distribution of electronic components. Line cards we deal with include Microchip,ALPS,ROHM,Xilinx,Pulse,ON,Everlight and Freescale. Main products comprise IC,Modules,Potentiometer,IC Socket,Relay,Connector.Our parts cover such applications as commercial,industrial, and automotives areas.

We are looking forward to setting up business relationship with you and hope to provide you with the best service and solution. Let us make a better world for our industry!



Contact us

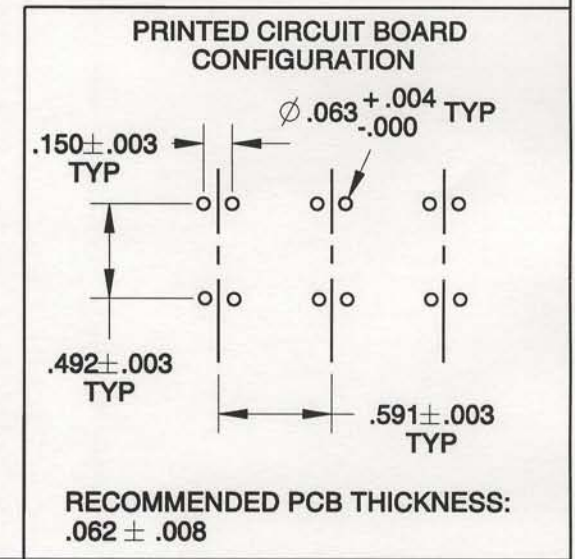
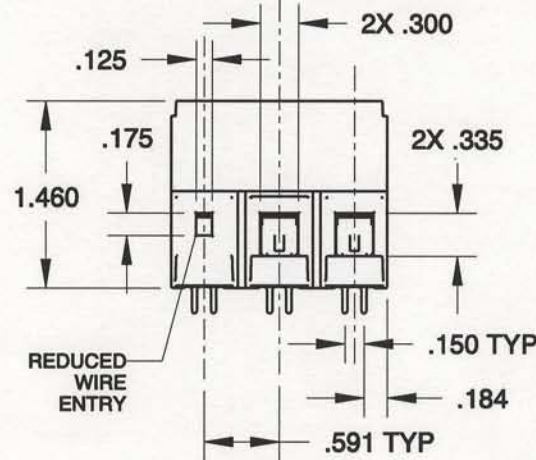
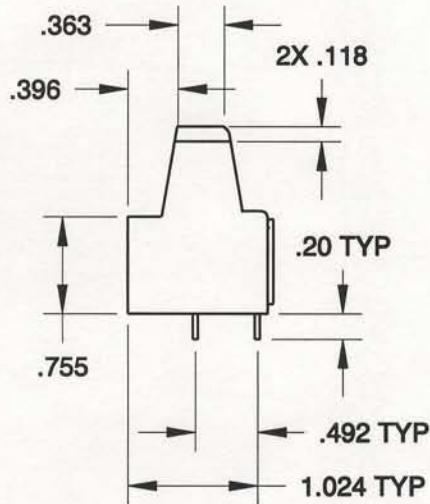
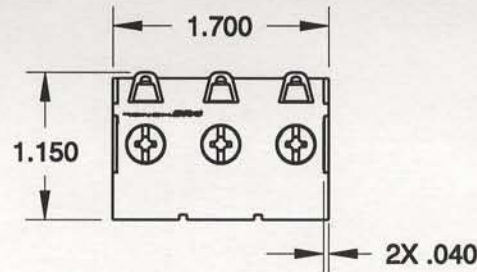
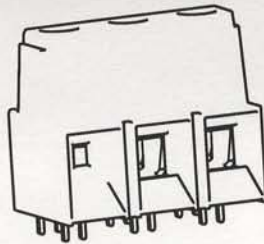
Tel: +86-755-8981 8866 Fax: +86-755-8427 6832

Email & Skype: info@chipsmall.com Web: www.chipsmall.com

Address: A1208, Overseas Decoration Building, #122 Zhenhua RD., Futian, Shenzhen, China



REV	ECN	APP'D
-	5458	JT 05/25/04
A	5497	SH 8/4/04
B	5742	rw 12/28/05



RU RATINGS
CURRENT - 75A PENDING
12A REDUCED WIRE ENTRY
VOLTAGE - 600V PENDING
U.L. FILE NO. E83421

SP RATINGS
CURRENT - 75A PENDING
12A REDUCED WIRE ENTRY
VOLTAGE - PENDING
CSA FILE NO. LR69703

DIN VDE 0627:1986
DIN VDE 0110-1:1989
EN 60947-1:1991
EN 60947-7-1:1992
CURRENT - 75A PENDING
12A REDUCED WIRE ENTRY
VOLTAGE - PENDING
TUV FILE NO. 20396

INSTALLATION RECOMMENDATIONS:
WIRE RANGE: AWG #4 - 16 AWG, STRAND OR SOLID
REDUCED WIRE ENTRY RANGE: #12 - 24 AWG, STRAND OR SOLID
WIRE STRIP LENGTH: .630" (16.0 MM)
TIGHTENING TORQUE: 20 LB-IN.

MATERIALS:
HOUSING: PA, UL 94 V-0, BLACK
CONTACT: CU ALLOY, TIN PLATING PER ASTM B-545
SCREW: STEEL, ZINC PLATING PER ASTM B63398
WIRE CLAMP: STEEL, ZINC PLATING PER ASTM B63398
OPERATING TEMPERATURE:
-40°C TO 120°C

DIMENSIONS ANSI Y14.5M UNITS: INCHES Pro/E FILE	TOLERANCES .XX ±0.01 .XXX ±0.005 ANGLES ±1.0°	PROJECTION 	Amphenol Pcd		TITLE ELMP TERMINAL BLOCK 3 POS 15MM (.591) CL		
			ENGR R. NEWMAN 05/24/04		SIZE A	DWG NO. ELMP03150	REV B
ORIGINAL STAMPED IN RED	THIS DOCUMENT CONTAINS PROPRIETARY INFORMATION WHICH IS THE CONFIDENTIAL PROPERTY OF AMPHENOL PCD, INC. PEABODY, MA, USA		CHKD S. HORNER 05/25/04		CODE: 58982	SCALE: NONE	SHEET 1 OF 1
			APPD J. TON 05/25/04				