



Chipsmall Limited consists of a professional team with an average of over 10 year of expertise in the distribution of electronic components. Based in Hongkong, we have already established firm and mutual-benefit business relationships with customers from,Europe,America and south Asia,supplying obsolete and hard-to-find components to meet their specific needs.

With the principle of "Quality Parts,Customers Priority,Honest Operation,and Considerate Service",our business mainly focus on the distribution of electronic components. Line cards we deal with include Microchip,ALPS,ROHM,Xilinx,Pulse,ON,Everlight and Freescale. Main products comprise IC,Modules,Potentiometer,IC Socket,Relay,Connector.Our parts cover such applications as commercial,industrial, and automotives areas.

We are looking forward to setting up business relationship with you and hope to provide you with the best service and solution. Let us make a better world for our industry!



## Contact us

Tel: +86-755-8981 8866 Fax: +86-755-8427 6832

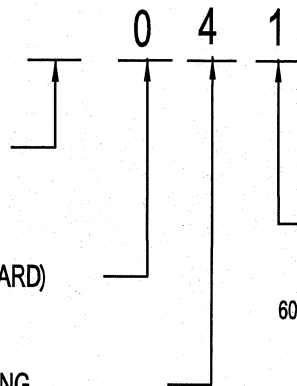
Email & Skype: info@chipsmall.com Web: www.chipsmall.com

Address: A1208, Overseas Decoration Building, #122 Zhenhua RD., Futian, Shenzhen, China



REV	ECN	APP'D
-	5915	GHR 07/27/06

# ELMP



NUMBER OF POSITIONS  
 04 - 4 POSITIONS  
 08 - 8 POSITIONS

WIRE WINDOW (STANDARD)  
 0 = WIRE WINDOW

CENTERLINE SPACING  
 4 = .400" CL

### GENERAL SPECIFICATIONS

1= 2 CONTACT TAILS PER POSITION - .400" SPACED  
 60 AMP, 300V, BLACK, TIN PLATING



RATINGS

CURRENT - 60A PENDING  
 VOLTAGE - 300V PENDING  
 U.L. FILE NO. E83421



RATINGS

CURRENT - 60A PENDING  
 VOLTAGE - 300V PENDING  
 CSA FILE NO. LR69703

DIN VDE 0627:1986  
 DIN VDE 0110-1:1989  
 EN 60947-1:1991  
 EN 60947-7-1:1992

CURRENT - 60A PENDING  
 VOLTAGE - 300V PENDING  
 TUV FILE NO. 20396

### INSTALLATION RECOMMENDATIONS:

WIRE RANGE: AWG #8 - 18 AWG, STRAND OR SOLID  
 WIRE STRIP LENGTH: .430" (16.0 MM)  
 REC. TIGHTENING TORQUE: 12 IN-LB.

### MATERIALS:

HOUSING: PA, UL 94 V-0, BLACK  
 CONTACT: CU ALLOY, TIN PLATING PER ASTM B-545  
 SCREW: STEEL, BLACK ZINC PLATING PER ASTM B63398  
 WIRE CLAMP: CU ALLOY, NICKEL PLATING PER QQ-N-290

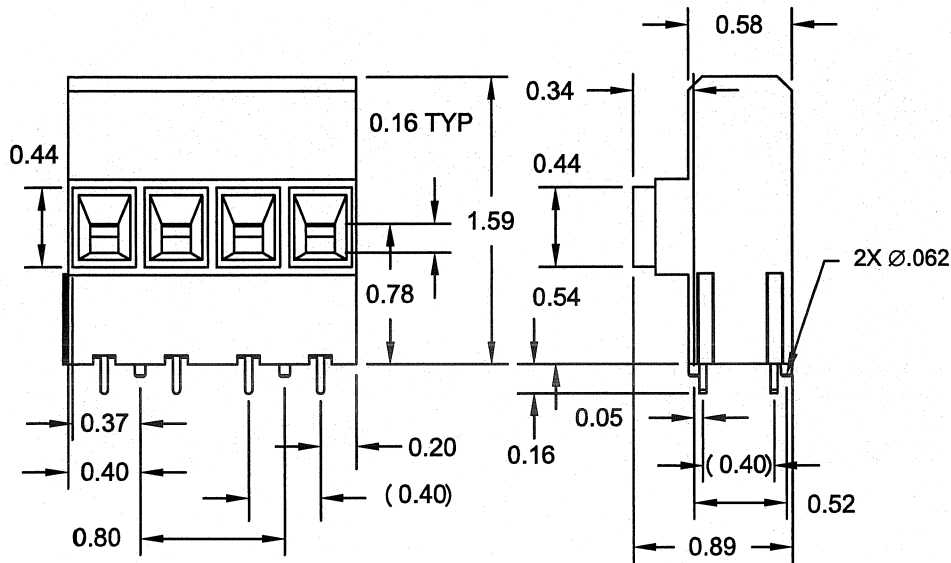
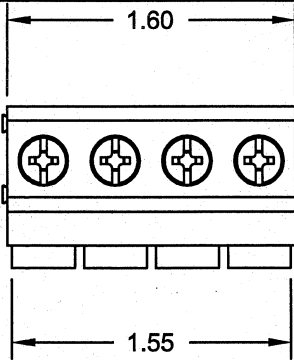
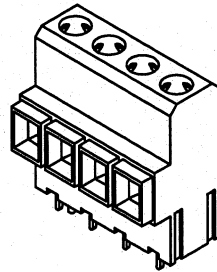
### OPERATING TEMPERATURE:

-40 °C TO 120 °C

DIMENSIONS ANSI Y14.5M UNITS: INCHES Pro/E FILE	TOLERANCES .XX ± 0.01 .XXX ± 0.005 ANGLES ± 2.0 °	PROJECTION 	<b>AMPHENOL PCD</b>			TITLE <b>ELMP SERIES TERMINAL BLOCK</b> <b>.400" CL</b>		
			ENGR R. VAN DER ESCH 07/27/06					
ORIGINAL STAMPED IN RED	THIS DOCUMENT CONTAINS PROPRIETARY INFORMATION WHICH IS THE CONFIDENTIAL PROPERTY OF AMPHENOL PCD, INC. PEABODY, MA, USA	CHKD P. CASTRICHINI 07/27/06			SIZE <b>A</b>	DWG NO. <b>ELMP04041</b>		REV -
		APPD G. ROBERTSON 07/27/06			CODE: 58982		SCALE: NONE	SHEET 1 OF 2

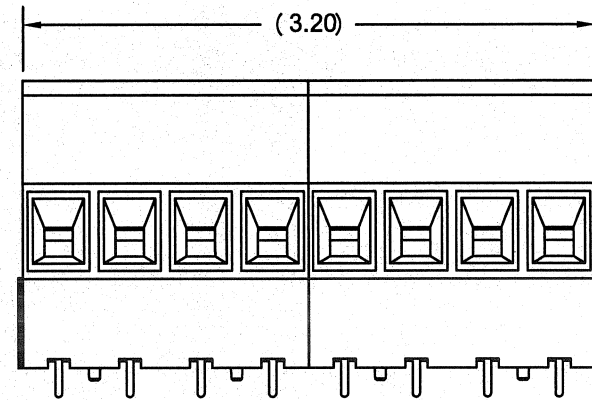
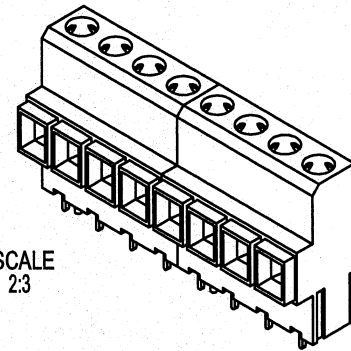
# ELMP04041

SCALE  
2:3



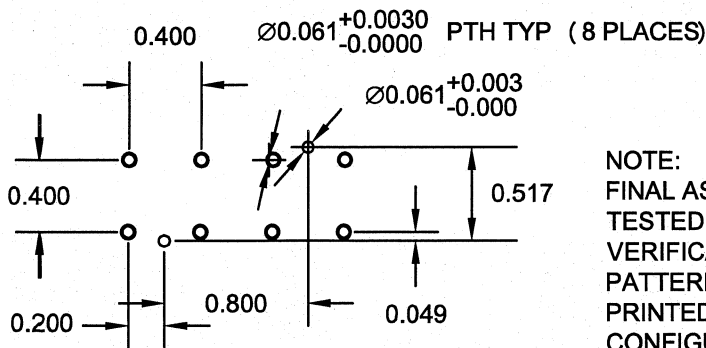
# ELMP08041

SCALE  
2:3



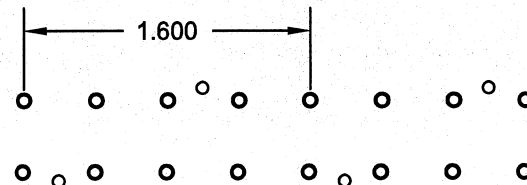
ALL OTHER DIMENSIONS SAME AS ELMP04041

## PRINTED CIRCUIT BOARD CONFIGURATION



NOTE:  
FINAL ASSEMBLY MUST BE TESTED FOR FIT  
VERIFICATION TO THE DRILL PATTERN NOTED ON PRINTED CIRCUIT BOARD CONFIGURATION

RECOMMENDED PCB THICKNESS: .062 ± .008



8 CIRCUIT PATTERN IS TWO 4 CIRCUIT PATTERNS  
OFFSET BY 1.600

SIZE	DWG NO.	REV
A	ELMP04041	-
CODE: 58982	SCALE: NONE	SHEET 2 OF 2