



Chipsmall Limited consists of a professional team with an average of over 10 year of expertise in the distribution of electronic components. Based in Hongkong, we have already established firm and mutual-benefit business relationships with customers from,Europe,America and south Asia,supplying obsolete and hard-to-find components to meet their specific needs.

With the principle of “Quality Parts,Customers Priority,Honest Operation,and Considerate Service”,our business mainly focus on the distribution of electronic components. Line cards we deal with include Microchip,ALPS,ROHM,Xilinx,Pulse,ON,Everlight and Freescale. Main products comprise IC,Modules,Potentiometer,IC Socket,Relay,Connector.Our parts cover such applications as commercial,industrial, and automotives areas.

We are looking forward to setting up business relationship with you and hope to provide you with the best service and solution. Let us make a better world for our industry!



## Contact us

Tel: +86-755-8981 8866 Fax: +86-755-8427 6832

Email & Skype: info@chipsmall.com Web: www.chipsmall.com

Address: A1208, Overseas Decoration Building, #122 Zhenhua RD., Futian, Shenzhen, China





**MODEL:** EM-6027  
**PRODUCT:** Electret Condenser Microphone

**TYPE: OMNI DIRECTIONAL BACK ELECTRET CONDENSER MICROPHONE**

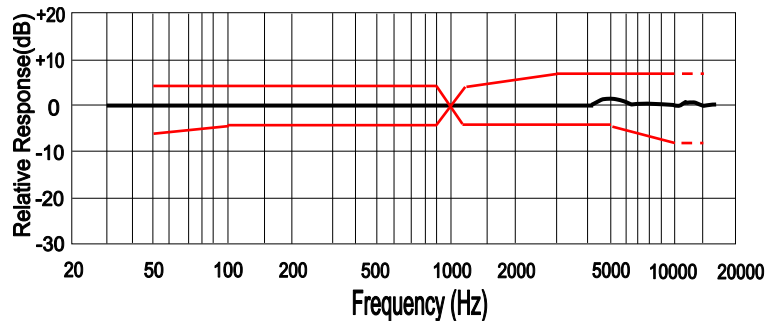
**ELECTRICAL CHARACTERISTICS**

Temperature = 20±2 °C Humidity=65±5%

parameter	symbol	condition	limits			unit
			min	center	max	
sensitivity	S	0dB=1V/Pa at 1kHz	-45	-42	-39	dB
output impedance	Z out	f=1kHz			2.2	KΩ
current consumption	I <sub>DC</sub>	V <sub>CC</sub> = 2.0V, R <sub>L</sub> = 2.2KΩ			500	μA
signal to noise ratio	S/N	at 1kHz S.P.L=1Pa (A-Weighted Curve)	58			dB
decreasing voltage	ΔS	V <sub>CC</sub> = 3.0V to 2.0V			-3	dB
operating voltage			1.0		10	V
maximum input S.P.L					115	dB
dimension		∅6.0 x 2.7mm				

**TYPICAL FREQUENCY RESPONSE CURVE**

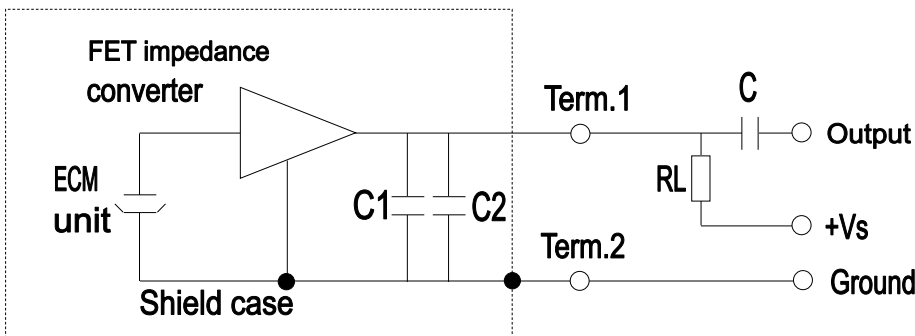
FREQUENCY RESPONSE



MICROPHONE RESPONSE TOLERANCE WINDOW

Frequency(Hz)	Lower Limit(dB)	Upper Limit(dB)
50	-6	+3
100	-3	+3
800	-3	+3
1000	0	0
1200	-3	+3
3000	-3	+8
5000	-3	+8
10000	-8	+8

**MEASUREMENT CIRCUIT**



RL = 2.2KΩ
Vs = 2.0V
C1 = 10PF
C2 = 33PF
C = 1μF



**MODEL:** EM-6027  
**PRODUCT:** Electret Condenser Microphone

### TEMPERATURE CONDITIONS

storage temperature range -40°C ~ +85°C

operation temperature range -40°C ~ +85°C

Note: Store in electronic warehouse.

### TERMINAL MECHANICAL STRENGTH

Terminal should be no interference in operation after pulled the terminal with 1kg for 1 minute.

### RELIABILITY TEST

After each of following tests, the sensitivity of the microphone should be within  $\pm 3\text{dB}$  of initial sensitivity after 3 hours of conditioning at 20°C .

vibration test

frequency 10hz ~ 55hz

amplitude 1.52mm

change of frequency 1 octave/min

2 hours in each of axis

high temperature test +85°C for 240 hours

low temperature test -40°C for 240 hours

humidity test 90% ~ 95%RH, +60°C for 240 hours

thermal shocking test -40°C, 30 minutes  $\longleftrightarrow$  +80°C, 30 minutes, repeated 32 cycles  $\rightarrow$  room temperature, 3 hours

temperature cycles -40°C  $\longleftrightarrow$  +20°C  $\longleftrightarrow$  +85°C  $\longleftrightarrow$  +20°C  $\longleftrightarrow$  -40°C  
 (2h) (0.5h) (2h) (0.1h) (2h) (0.5h) (2h) (0.5h) (2h) for 5 cycles

packing drop test

height 1.5m

procedure 5 times from each of axis

electrostatic discharge Tested to IEC61000-4-2 level 3

contact discharge The microphone shall operate normally after 10 discharges to is 6KV DC and the discharge network is 150pF & 330Ω.

air discharge The microphone shall operate normally after 10 discharges to is 8KV DC and the discharge network is 150pF & 330Ω

### SOLDERING CONDITION

We suggest using an anti-static welding machine which can control soldering temperature automatically.

Soldering temperature should be controlled at under 320 °C and soldering time for each terminal should be 1~2 seconds.

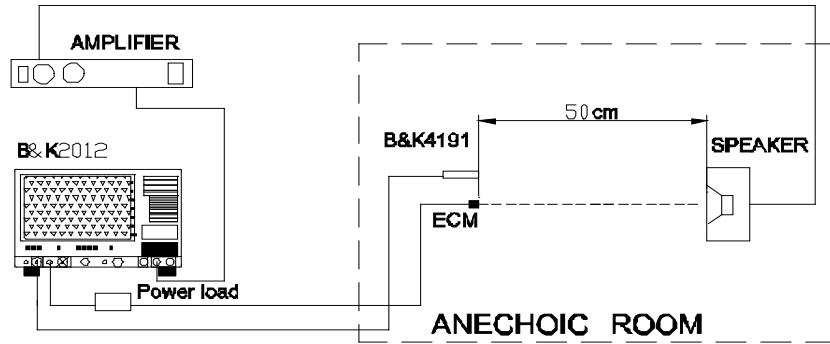
Microphone should be fixed on the metal block (heat sink), which has high radiation effects, and heat sink shall contact with MIC tightly.

Microphone may easily be destroyed by the static electricity and the countermeasure for eliminating the static electricity shall be electrocution (**worktable and human body shall be ground connection**).



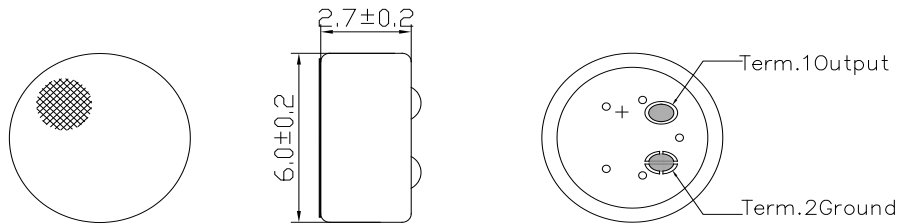
**MODEL:** EM-6027  
**PRODUCT:** Electret Condenser Microphone

**MEASUREMENT SETUP DRAWING**

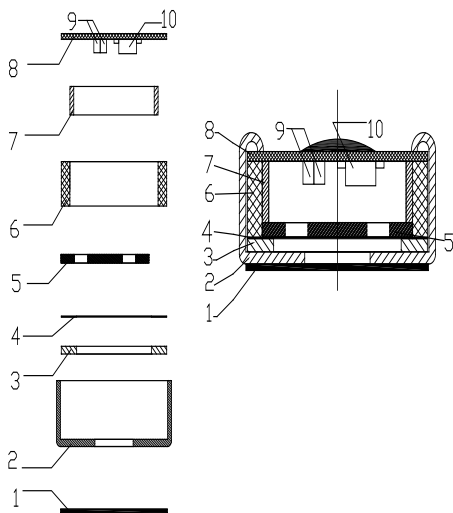


**PRODUCT EXTERNAL VIEW AND DIMENSION**

Unit : mm



**EXPLODED DRAWING AND MATERIAL TABLE**



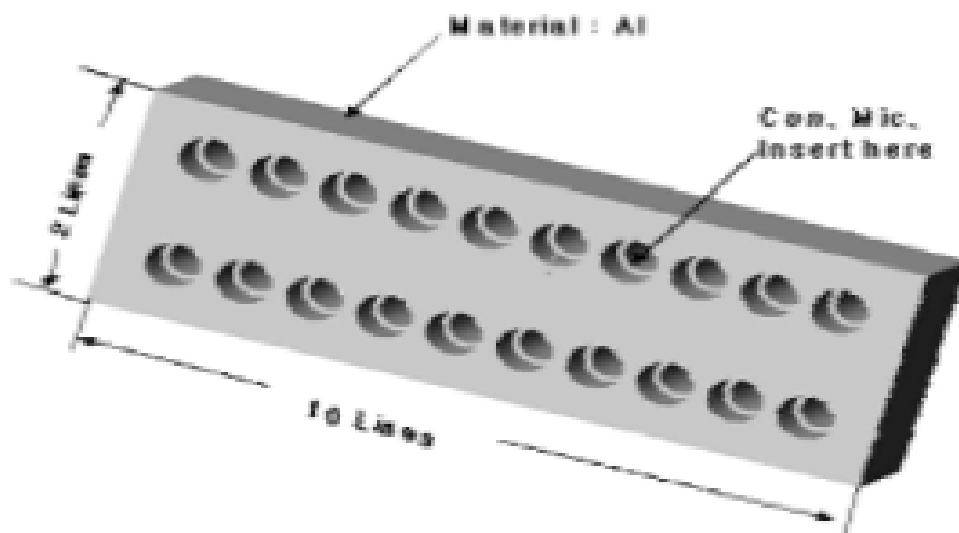
	Name	Material	Quantity	Remark
1	Felt	Non-weave cloth	1	
2	Case	Al-Mg alloy	1	
3	Polarized diaphragm		1	
4	Spacer		1	
5	Electret back		1	
6	Chamber		1	
7	Copper ring		1	
8	P.C.B	FR-4	1	
9	Chip capacitor		2	
10	FET		1	



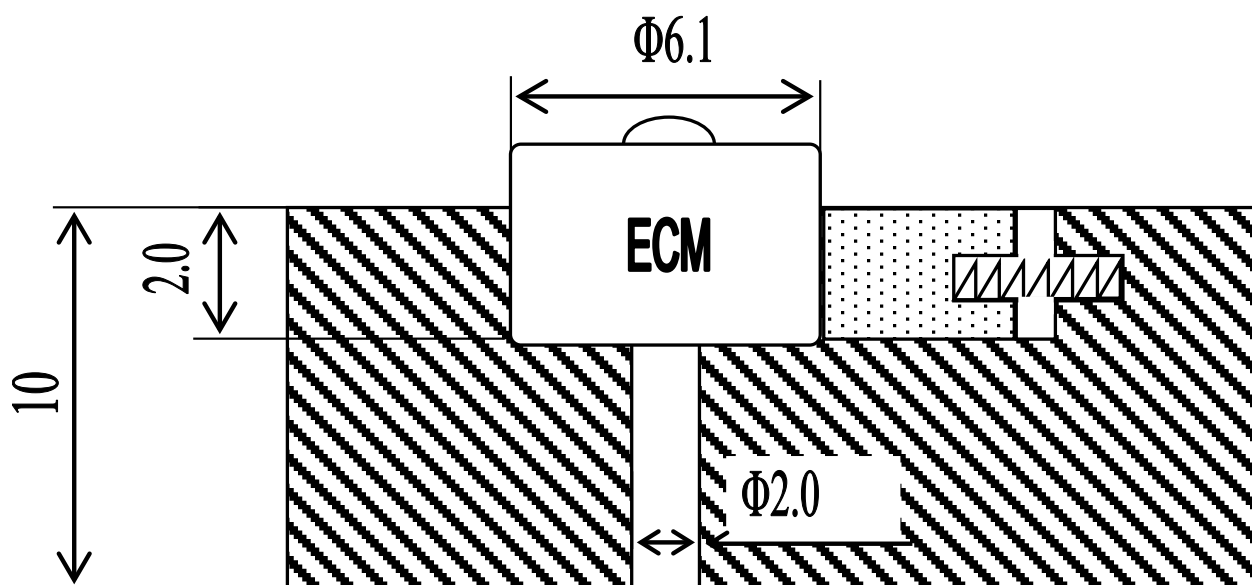
**MODEL:** EM-6027  
**PRODUCT:** Electret Condenser Microphone

## HEAT SINK

### SHAPE OF HEAT SINK



### SHAPE OF HOLE AT FIXED PART





**MODEL:** EM-6027  
**PRODUCT:** Electret Condenser Microphone

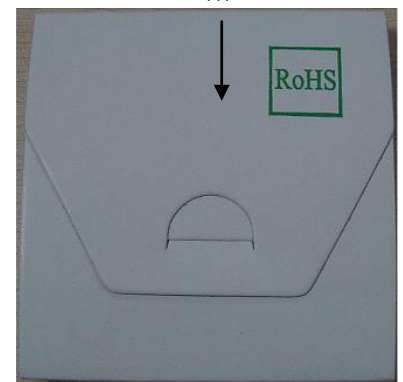
**PACKING**

DIMENSION:(LENGTH\*WIDTH \*HEIGHT)  
 ANTI-STATIC BAG : 80mm\*80mm\*2mm  
 SMALL BOX : 85mm\*85mm\*10mm  
 MIDDLE BOX : 175mm\*85mm\*50mm  
 CARTON SIZE : 550mm\*230mm\*235mm

QUANTITY AND WEIGHT  
 100PCS/SMALL BOX  
 1000PCS/MID BOX  
 30000PCS/CARTON  
 1PC=0.2g  
 NET WEIGHT: 6.0kg  
 GROSS WEIGHT: 9.0kg



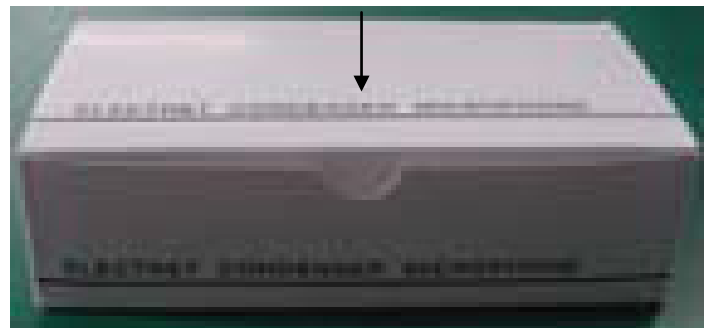
X1



X10

100PCS →

1000PCS →



X30

30000PCS →

