



Chipsmall Limited consists of a professional team with an average of over 10 year of expertise in the distribution of electronic components. Based in Hongkong, we have already established firm and mutual-benefit business relationships with customers from,Europe,America and south Asia,supplying obsolete and hard-to-find components to meet their specific needs.

With the principle of “Quality Parts,Customers Priority,Honest Operation,and Considerate Service”,our business mainly focus on the distribution of electronic components. Line cards we deal with include Microchip,ALPS,ROHM,Xilinx,Pulse,ON,Everlight and Freescale. Main products comprise IC,Modules,Potentiometer,IC Socket,Relay,Connector.Our parts cover such applications as commercial,industrial, and automotives areas.

We are looking forward to setting up business relationship with you and hope to provide you with the best service and solution. Let us make a better world for our industry!



Contact us

Tel: +86-755-8981 8866 Fax: +86-755-8427 6832

Email & Skype: info@chipsmall.com Web: www.chipsmall.com

Address: A1208, Overseas Decoration Building, #122 Zhenhua RD., Futian, Shenzhen, China





MODEL: EM6050P
PRODUCT: Electret Condenser Microphone

TYPE: ELECTRET CONDENSER MICROPHONE

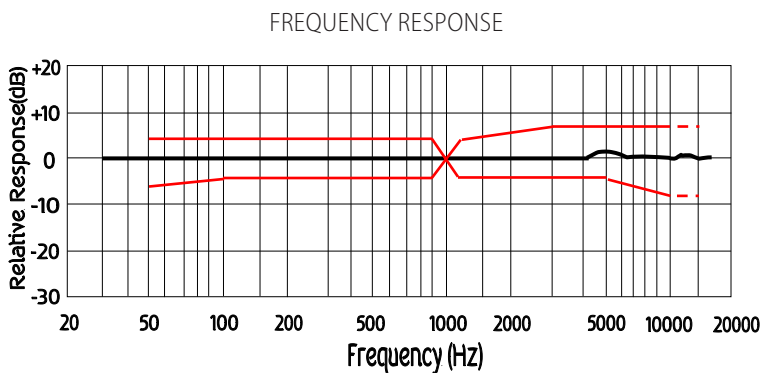
ELECTRICAL CHARACTERISTICS

Temperature = 20 ± 2 °C Humidity = $65 \pm 5\%$

parameter	symbol	condition	limits			unit
			min	center	max	
sensitivity	S	0dB=1V/Pa at 1kHz	-45	-42	-39	dB
output impedance	Z out	f=1kHz			2.2	K Ω
current consumption	I _{DSS}	V _{CC} =2.0V, R _L =2.2K Ω			500	μ A
signal to noise ratio	S/N	at 1kHz S.P.L=1Pa (A-Weighted Curve)	58			dB
decreasing voltage	Δ S	V _{CC} =3.0V to 2.0V			-3	dB
operating voltage			1.0		10	V
maximum input S.P.L					110	dB

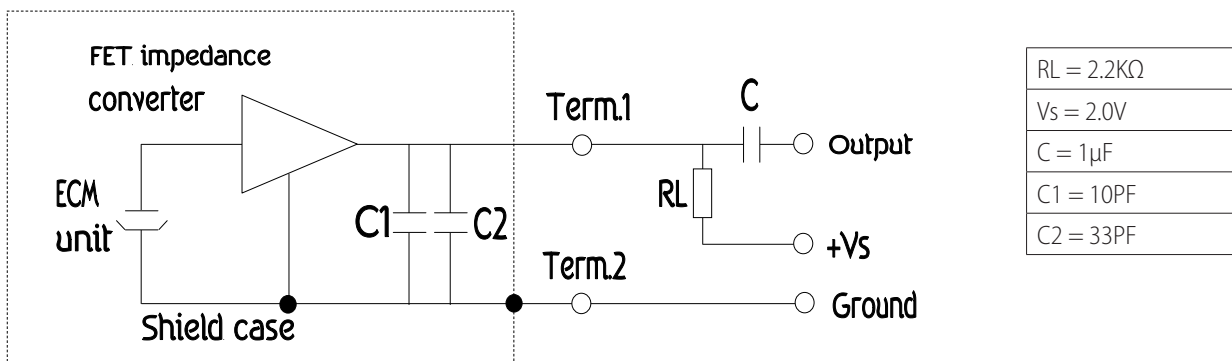
TYPICAL FREQUENCY RESPONSE CURVE

MICROPHONE RESPONSE TOLERANCE WINDOW



Frequency(Hz)	Lower Limit(dB)	Upper Limit(dB)
50	-6	+3
100	-3	+3
800	-3	+3
1000	0	0
1200	-3	+3
3000	-3	+8
5000	-3	+8
10000	-8	+8

MEASUREMENT CIRCUIT





MODEL: EM6050P
PRODUCT: Electret Condenser Microphone

Soberton Inc.

TEMPERATURE CONDITIONS

storage temperature range -40C ~ +85C

operation temperature range -40C ~ +85C

Note: Store in electronic warehouse.

TERMINAL MECHANICAL STRENGTH

Terminal should be no interference in operation after pulled the terminal with 1kg for 1 minute.

RELIABILITY TEST

After each of following tests, the sensitivity of the microphone should be within $\pm 3\text{dB}$ of initial sensitivity after 3 hours of conditioning at 20°C .

vibration test

frequency 10hz ~ 55hz

amplitude 1.52mm

change of frequency 1 octave/min

2 hours in each of axis

high temperature test +85°C for 240 hours

low temperature test -40°C for 240 hours

humidity test 90% ~ 95%RH, +60°C for 240 hours

thermal shocking test -40°C, 30 minutes \longleftrightarrow +80°C, 30 minutes, repeated 32 cycles \rightarrow room temperature, 3 hours

temperature cycles -40°C \longleftrightarrow +20°C \longleftrightarrow +85°C \longleftrightarrow +20°C \longleftrightarrow -40°C
 (2h) (0.5h) (2h) (0.1h) (2h) (0.5h) (2h) (0.5h) (2h) for 5 cycles

packing drop test

height 1.5m

procedure 5 times from each of axis

electrostatic discharge Tested to IEC61000-4-2 level 3

contact discharge The microphone shall operate normally after 10 discharges to is 6KV DC and the discharge network is 150pF & 330Ω.

air discharge The microphone shall operate normally after 10 discharges to is 8KV DC and the discharge network is 150pF & 330Ω

SOLDERING CONDITION

We suggest using an anti-static welding machine which can control soldering temperature automatically.

Soldering temperature should be controlled at under 320 °C and soldering time for each terminal should be 1~2 seconds.

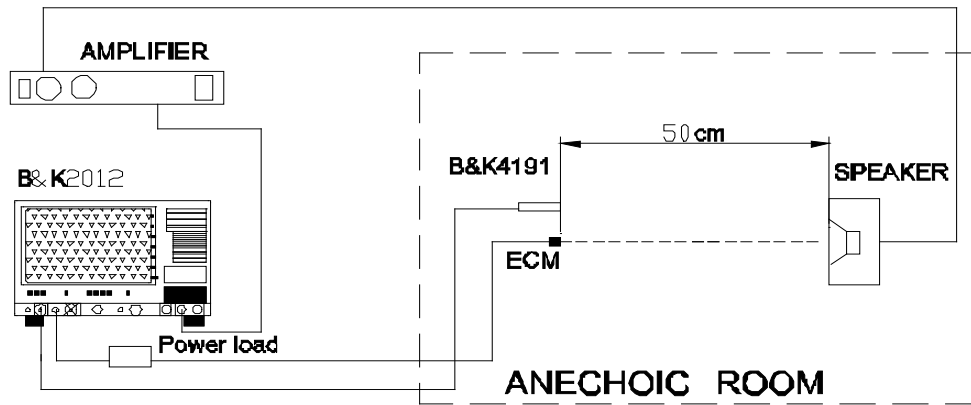
Microphone should be fixed on the metal block (heat sink), which has high radiation effects, and heat sink shall contact with MIC tightly.

Microphone may easily be destroyed by the static electricity and the countermeasure for eliminating the static electricity shall be electrocution (**worktable and human body shall be ground connection**).



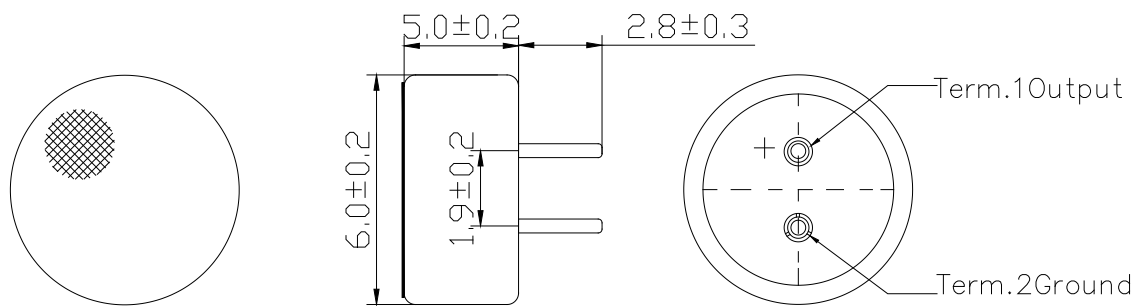
MODEL: EM6050P
PRODUCT: Electret Condenser Microphone

MEASUREMENT SETUP DRAWING

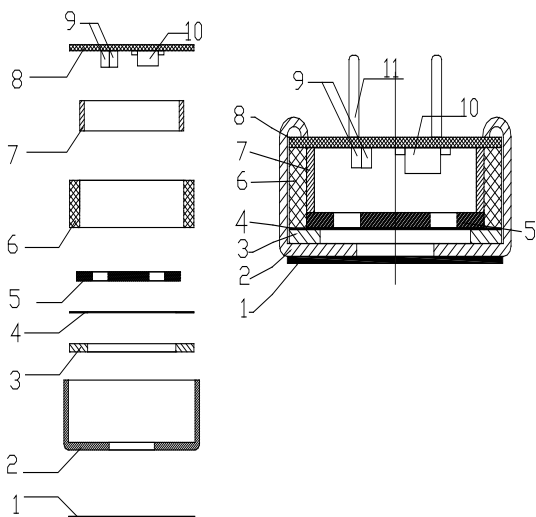


PRODUCT EXTERNAL VIEW AND DIMENSION

Unit : mm



EXPLODED DRAWING AND MATERIAL TABLE



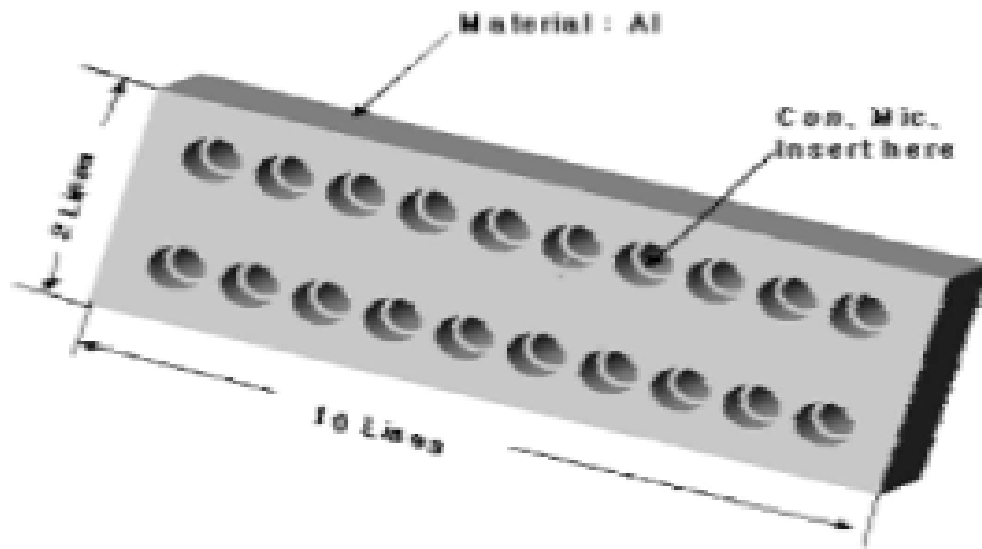
	Name	Material	Quantity	Remark
1	Felt	Fabric cloth	1	
2	Case	Al-Mg alloy	1	
3	Polarized Diaphragm		1	
4	Spacer		1	
5	Electret		1	
6	Housing Chamber		1	
7	Coppering		1	
8	PCB		1	FR4
9	Chip Capacitor		2	
10	FET		1	
11	PIN	copper	2	



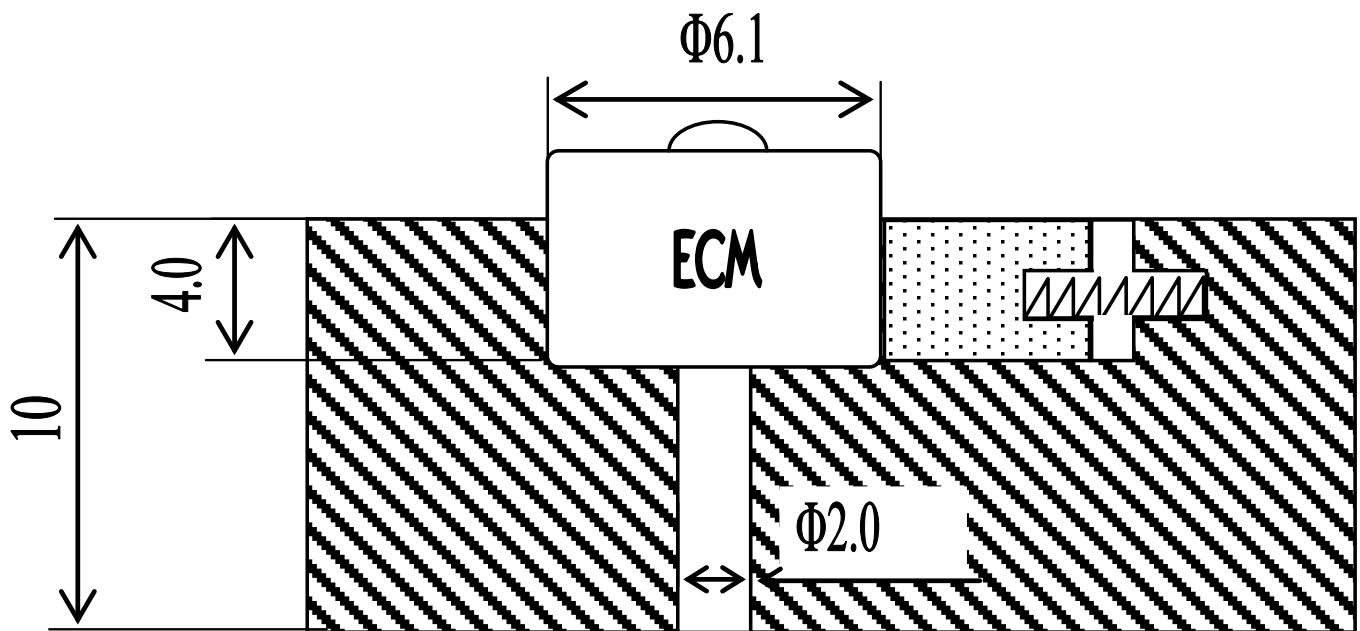
MODEL: EM6050P
PRODUCT: Electret Condenser Microphone

HEAT SINK

SHAPE OF HEAT SINK



SHAPE OF HOLE AT FIXED PART





MODEL: EM6050P
PRODUCT: Electret Condenser Microphone

PACKING

DIMENSION: (LENGTH*WIDTH *HEIGHT)
ANTI-STATIC SPONGE: 100mm*100mm*2mm
SMALL PACKET: 100mm*100mm*10mm
MIDDLE BOX: 205mm*105mm*50mm
CARTON SIZE: 550mm*230mm*235mm

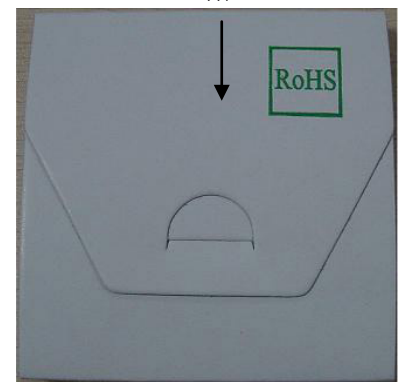
QUANTITY AND WEIGHT

100PCS/Small Box
1000PCS/Mid Box
20000PCS/Per Carton

1PC=0.3g
NET WEIGHT : 9.0kg
GROSS WEIGHT : 13.0kg



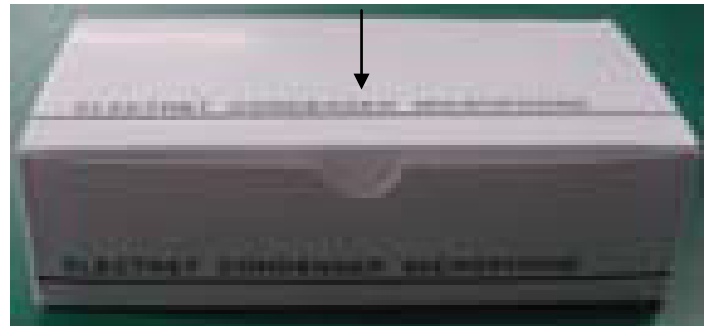
X1



X10

100PCS →

1000PCS →



X20

20000PCS →

