



Chipsmall Limited consists of a professional team with an average of over 10 year of expertise in the distribution of electronic components. Based in Hongkong, we have already established firm and mutual-benefit business relationships with customers from,Europe,America and south Asia,supplying obsolete and hard-to-find components to meet their specific needs.

With the principle of “Quality Parts,Customers Priority,Honest Operation,and Considerate Service”,our business mainly focus on the distribution of electronic components. Line cards we deal with include Microchip,ALPS,ROHM,Xilinx,Pulse,ON,Everlight and Freescale. Main products comprise IC,Modules,Potentiometer,IC Socket,Relay,Connector.Our parts cover such applications as commercial,industrial, and automotives areas.

We are looking forward to setting up business relationship with you and hope to provide you with the best service and solution. Let us make a better world for our industry!



## Contact us

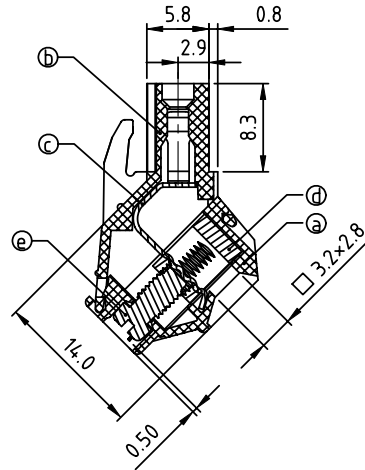
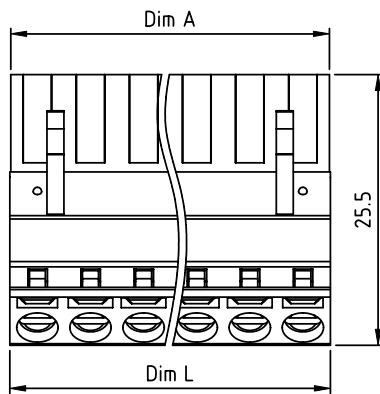
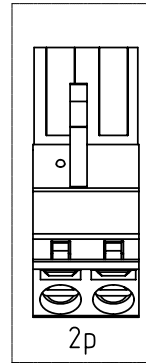
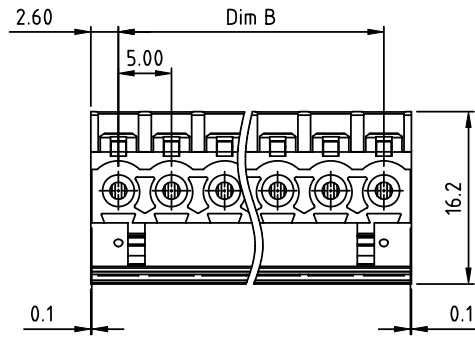
Tel: +86-755-8981 8866 Fax: +86-755-8427 6832

Email & Skype: info@chipsmall.com Web: www.chipsmall.com

Address: A1208, Overseas Decoration Building, #122 Zhenhua RD., Futian, Shenzhen, China



PRODUCT NUMBER	PITCH
EMxx71x000J0G	5.00 mm



Material:

- ItemⒶ Terminal(top body): Thermoplastic (UL94V-0)
- ItemⒷ Terminal(bottom body): Thermoplastic (UL94V-0)
- ItemⒸ Female contact: High conductivity copper ,Tin plated
- ItemⒹ Clamp: Brass(CuZn) Ni plated
- ItemⒺ Terminal screw: Steel Zinc plating "--" slot type

Electrical: cULus

- Voltage rating:300V
- Current rating:20A
- Wire range:
- Solid wire(AWG):12-22
- Stranded wire(AWG):12-22
- Torque: 4Lb-In
- Screw:M3
- Wire strip length:7-8 mm
- Withstanding Voltage: 1.6KV
- Operating temperature:-40°C to +115°C
- Safety Approval: cULus

DIMENSION

Dim L	Nx5.0+0.2
Dim A	Nx5.0
Dim B	(N-1)x5.0

N=Number of poles

Poles	Tolerance
2p-6p	±0.15
7p-12p	±0.20
13p-18p	±0.25
19p-24p	±0.40

PART NO.: EM xx 71 x 0 00J0 G

		Color	RoHS compliant
Solid block	0	Black (RAL9005)	(lead<4%)
No. of poles	2	Red (RAL3001/D)	In copper Alloy
02	2 poles	3 Orange(RAL2011/P)	
03	3 poles	4 Yellow(RAL1018/A)	
...	...	5 Green(RAL6018/T)	
24	24 poles	6 Blue (RAL5015/A)	
		8 Grey(RAL7035/D)	
		9 White(RAL1102)	
		C Green(RAL6018/U)	

mat'l. code		surface ASME Y14.5	tolerance ASME Y14.5	projection	product family
ltr	ecn no	dr	date		TERMINAL BLOCK
tolerances unless otherwise specified				MM	title
angles	0				TERMINAL BLOCK
	±				PLUGGABLE PLUG,WITHOUT FLANGE
	X*±1"			scale	
dr	EVIN ZHONG	042114			dwg no
enr	EVIN ZHONG	042114			sheet 1 of 1
chr	HANKE FENG	042114			size
appd	SHI JUN	042114			A4
sheet index	revision sheet	A	1		type
					CUSTOMER Drawing