



Chipsmall Limited consists of a professional team with an average of over 10 year of expertise in the distribution of electronic components. Based in Hongkong, we have already established firm and mutual-benefit business relationships with customers from,Europe,America and south Asia,supplying obsolete and hard-to-find components to meet their specific needs.

With the principle of “Quality Parts,Customers Priority,Honest Operation,and Considerate Service”,our business mainly focus on the distribution of electronic components. Line cards we deal with include Microchip,ALPS,ROHM,Xilinx,Pulse,ON,Everlight and Freescale. Main products comprise IC,Modules,Potentiometer,IC Socket,Relay,Connector.Our parts cover such applications as commercial,industrial, and automotives areas.

We are looking forward to setting up business relationship with you and hope to provide you with the best service and solution. Let us make a better world for our industry!



Contact us

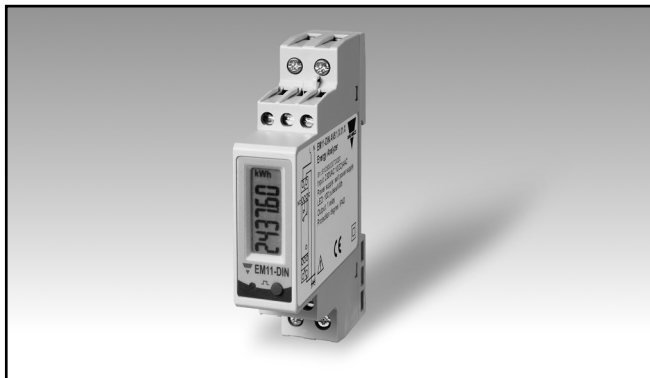
Tel: +86-755-8981 8866 Fax: +86-755-8427 6832

Email & Skype: info@chipsmall.com Web: www.chipsmall.com

Address: A1208, Overseas Decoration Building, #122 Zhenhua RD., Futian, Shenzhen, China



Energy Management Energy Analyzer Type EM11 DIN



• Other versions available (not certified, option X): see “how to order” on the next page

- Class 1 (kWh) according to EN62053-21
- Class B (kWh) according to EN50470-3
- Class 2 (kvarh) according to EN62053-23
- Accuracy ± 0.5 RDG (current/voltage)
- Energy analyzer
- Instantaneous variables readout: 4 DGT
- Energies readout: 6 DGT
- Instantaneous variables: V, A, W, Wdmd, Wdmd max, var, PF, Hz
- Single phase variables: VLL, VLN, A, VA, W, var, PF
- Energy measurements: total kWh and kvarh
- TRMS measurements of distorted sine waves (voltages/currents)
- Self power supply
- Dimensions: 1-DIN module
- Protection degree (front): IP40
- 1 pulse output on request
- 1 alarm output on request
- Certified according to MID Directive (option PF only): see “how to order” below

Product Description

One-phase energy analyzer with built-in configuration push button and LCD data displaying; particularly indicated for active and reactive energy metering and for cost allocation. Housing for DIN-rail mounting, IP40 (front) protection degree. Direct connection up to

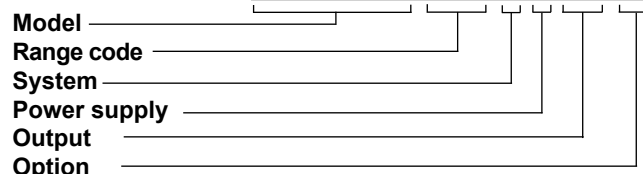
32A. Moreover the meter can be provided with either measured or alarm control on the available pulse output proportional to instantaneous variables. Instantaneous variables.



Certified according to MID Directive, Module B and Module D of Annex II, for legal metrology relevant to active electrical energy meters (see Annex V, MI003, of MID). Can be used for fiscal (legal) metrology.

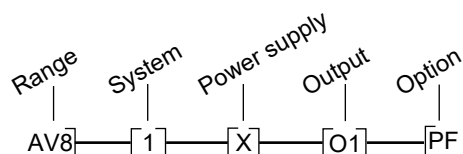
How to order

EM11 DIN AV8 1 X O1 PF



Type Selection

Range code	System	Power supply	Option
AV8: 230V _{LN} AC - 5(32)A (direct connection)	1: 1-phase	X: Self power supply (from 48 to 62Hz). The instrument works on the range from -20% to +20% of the measuring input nominal voltage.	PF: Certified according to MID Directive. Can be used for fiscal (legal) metrology.
	Output		
	O1: Pulse type (open collector output)		



NOTE: please check the availability of the needed code on the verification path diagram on left before order.

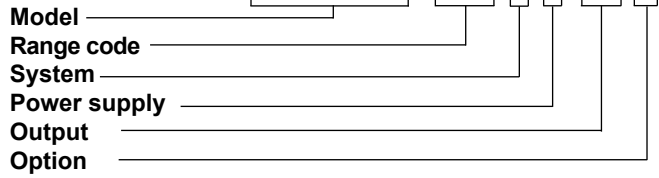


STANDARD

Not certified according to MID directive. Cannot be used for fiscal (legal) metrology.

How to order

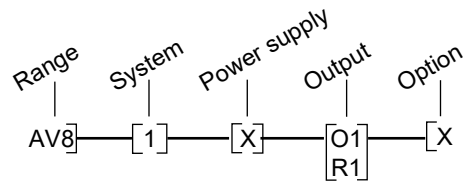
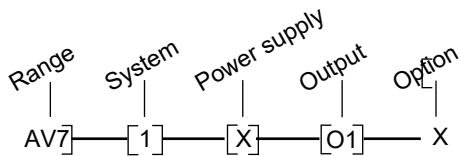
EM11 DIN AV8 1 X O1 X



Type Selection

Range code	System	Power supply	Option
AV7: 120V _{LN} AC - 5(32)A (direct connection)	1: 1-phase	X: Self power supply (from 48 to 62Hz). The instrument works on the range from -20% to +20% of the measuring input nominal voltage.	X: none
AV8: 230V _{LN} AC - 5(32)A (direct connection)	Output		
	O1: Pulse type (open collector output)		
	R1: Alarm type (relay output)		

NOTE: please check the availability of the needed code on the verification path diagrams below before order.



Input specifications

Rated inputs	System: 1 AV7 and AV8: 5(32) A	Type	LCD, h 7mm
Current range (by shunt)	AV7: 120 VLN AC AV8: 230 VLL AC	Instantaneous variables read-out	4 DGT (V and A) 3 DGT (W, var, Wdmd, Wdmd max, Hz, PF) Max. 9 999; Min. 0 (0.0) Total: 6 DGT
Voltage range		Min. Max. indication	
Accuracy (Display) (@25°C ±5°C, R.H. ≤60%, 48 to 62Hz)		Energies	
AV7 model	Ib: 5A, I _{max} : 32A; Un: 120VLN (-20% +20%)	LEDs	Red LED (Energy consumption), 1000 pulses/kWh (Max Frequency 16 Hz) according to EN62053-11
AV8 model	Ib: 5A, I _{max} : 32A; Un: 230VLN (-20% +20%)	Measurements	See "Measuring variables and Min. Max. indications" TRMS measurements of distorted wave forms
Current	From 0.04Ib to 0.2Ib, PF=1: ±(0.5% RDG +3DGT) From 0.2Ib to I _{max} , PF=1: ±(0.5% RDG +1DGT).	Method	Direct
Voltage	In the Un range: ±(0.5% RDG +2DGT)	Coupling type	Direct
Frequency	±0.1Hz (48 to 62Hz)	Crest factor	Ib 5A ≤4 (45A max. peak)
Active power	±(1%RDG +2DGT)	Current Overload	
Reactive power	±(2%RDG +2DGT)	Continuous	32A, @ 50Hz
Active energy	Class 1 according to EN62053-21 and Class B according to EN50470-3.	For 10ms	960A, @ 50Hz
Reactive energy	Class 2 according to EN62053-23.	Voltage Overload	
Reference values	Ib: 5A, I _{max} : 32A, 0.1 Ib: 0.5A	Continuous	1.2 Un
Start up current:	20mA	For 500ms	2 Un
Energy additional errors		Input impedance	
Influence quantities	According to EN62053-21, EN62053-23	120VL-N (AV7)	>720KΩ
Temperature drift	≤200ppm/°C	230VL-N (AV8)	>720KΩ
Sampling rate	4096 samples/s @ 50Hz 4096 samples/s @ 60Hz	5(32) A (AV7-AV8)	< 0.5VA
Display refresh time	1 sec.	Frequency	48 to 62 Hz
Display	1 line (max: 6 DGT)	Key-pad	1 push-button for variable selection and programming of the instrument working parameters. Not available in case of "PF" option.

Output specifications

Digital output		Alarm modes	DC 13-1.5A @ 24VDC
Number of outputs	1, open collector programmable, from 0.001 to 1 kWh for each pulse.	Controlled variables	Up alarm or down alarm kW, kWdmd, kvar, PF, A, V, Hz
X Option		Set-point adjustment	Programmable on all the measuring range (see "Measuring variables and Min. Max. indications")
PF option	Fixed, 0,001 kWh/pulse	Hysteresis	programmable on all the measuring range (see "Measuring variables and Min. Max. indications")
Signal	V _{ON} 1.2 VDC/ max. 100 mA V _{OFF} 30 VDC max.	On-time delay	0 to 9999s (166min)
Pulse duration	≥100ms < 120msec (ON), ≥120ms (OFF), according to EN62052-31	Off-time delay	0 to 9999s (166min)
Insulation	By means of optocouplers, 4000 VRMS output to measuring inputs	Min. response time	1s, set-point on-time delay: "0 s"
Alarm output	Not available in case of PF option.	Insulation	4000 VRMS output to measuring inputs
Number of outputs	1		
Type	Relay, SPST type AC 1-5A @ 250VAC DC 12-5A @ 24VDC AC 15-1.5A @ 250VAC		

Software functions (Not available in case of PF option)

Password	Numeric code of max. 4 digits; 2 protection levels of the programming data:	Displaying	1 variable per page (See «Measuring variables and Min. Max. indications»)
1st level	Password "0", no protection;	Reset	By means of the front key-pad:
2nd level	Password from 1 to 9999, all data are protected		- W dmd max; - energies: kWh, kvarh

General specifications

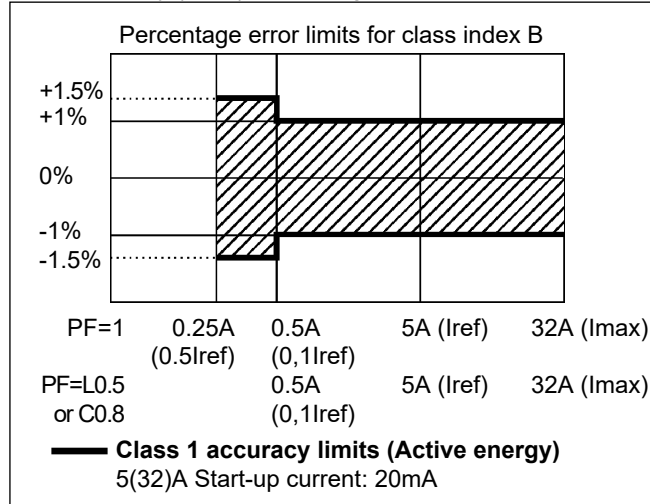
Operating temperature	-25°C to +55°C (-13°F to 131°F) (R.H. from 0 to 90% non-condensing @ 40°C) according to EN62053-21, EN50470-1 and EN62053-23	Surge	80MHz On current and voltage measuring input circuits: 4kV;
Storage temperature	-30°C to +70°C (-22°F to 140°F) (R.H. < 90% non-condensing @ 40°C) according to EN62053-21, EN50470-1 and EN62053-23	Radio frequency suppression	According to CISPR 22
Installation category	Cat. III (IEC60664, EN60664)	Standard compliance	
Insulation (for 1 minute)	4000 VRMS between measuring inputs and digital output (O1 and R1).	Safety	IEC60664, IEC61010-1 EN60664, EN61010-1 (EN62052-11) EN50470-1.
Dielectric strength	4000 VRMS for 1 minute	Metrology	EN62053-21, EN62053-23, EN50470-3.
CMRR Noise rejection	100 dB, 48 to 62 Hz	Pulse output Approvals	DIN43864, IEC62053-31 CE, cULus (X option) MID (PF option)
EMC	According to EN62052-11 8kV air discharge;	Connections	Screw-type Cable cross-section area
Electrostatic discharges	Test with applied current: 10V/m from 80 to 2000MHz;		Measuring inputs: min. 2.5 mm ² , max. 10 mm ² ;
Immunity to irradiated electromagnetic fields	Test without any applied current: 30V/m from 80 to 2000MHz;	DIN Housing	Min./Max. screws tightening torque: 0.5 Nm / 1.1 Nm
Burst	On current and voltage measuring input circuits: 4kV	Dimensions (WxHxD)	17.5 (+0.5 -0) x 90 x 67.5 mm
Immunity to conducted disturbances	10V/m from 150KHz to	Material	Nylon PA66, self-extinguishing: UL 94 V-0
		Mounting	DIN-rail
		Protection degree	
		Front	IP40
		Screw terminals	IP20
		Weight	Approx. 100 g (packing included)

Power supply specifications

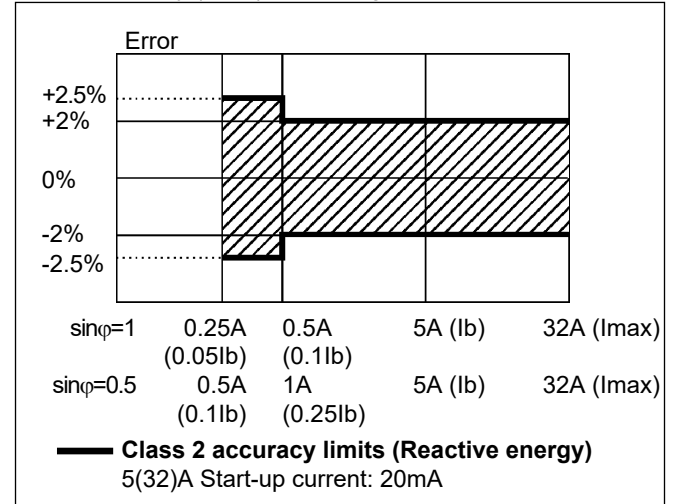
Self supplied version	120VLN (AV7), 230 VLN (AV8) (-20% +20%) 48-62Hz	Power consumption	≤ 3VA
------------------------------	---	--------------------------	-------

Accuracy (according to EN50470-3 and EN62053-23)

kWh, accuracy (RDG) depending on the current



kvarh, accuracy (RDG) depending on the current



MID compliance (PF option only)

Accuracy

0.9 Un ≤ U ≤ 1.1 Un;
0.98 fn ≤ f ≤ 1.02 fn;
fn: 50 or 60Hz;
cosφ: 0.5 inductive to 0.8 capacitive.
Class B
I st: 0.02A; I min: 0.25A;
I tr: 0.5A; I ref: 5A;
I max: 32A.

EMC compliance

E2

Mechanical compliance

M2

Protection degree

in order to achieve the protection against dust and water required by the norms harmonized to MID, the meter must be used only installed in IP51 (or better) cabinets.

Operating temperature

-25°C to +55°C (-13°F to 131°F) (R.H. from 0 to 90% non-condensing @ 40°C)

Used calculation formulas

Phase variables

Instantaneous effective voltage

$$V_{1N} = \sqrt{\frac{1}{n} \cdot \sum_{i=1}^n (V_{1N})_i^2}$$

Instantaneous active power

$$W_1 = \frac{1}{n} \cdot \sum_{i=1}^n (V_{1N})_i \cdot (A_1)_i$$

Instantaneous power factor

$$\cos\phi_1 = \frac{W_1}{VA_1}$$

Instantaneous effective current

$$A_1 = \sqrt{\frac{1}{n} \cdot \sum_{i=1}^n (A_1)_i^2}$$

Instantaneous apparent power

$$VA_1 = V_{1N} \cdot A_1$$

Instantaneous reactive power

$$\text{var}_1 = \sqrt{(VA_1)^2 - (W_1)^2}$$

Where: n= sample number

Energy metering

$$kWh_1 = \int_{t_1}^{t_2} P_1(t) dt \cong \Delta t \sum_{j=n_1}^{n_2} P_1(j)$$

$$k \text{ var } h_1 = \int_{t_1}^{t_2} Q_1(t) dt \cong \Delta t \sum_{j=n_1}^{n_2} Q_1(j)$$

Where:

P= active power;

Q= reactive power;

t₁, **t₂** =starting and ending time points of consumption recording;

n_j= time unit;

Δt= time interval between two successive power consumptions;

n₁, **n₂** = starting and ending discrete time points of consumption recording

Measuring variables and Min. Max. indications

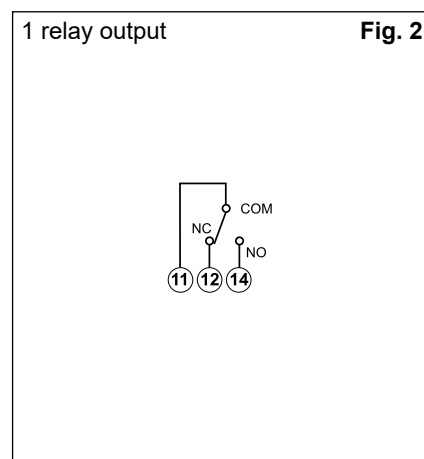
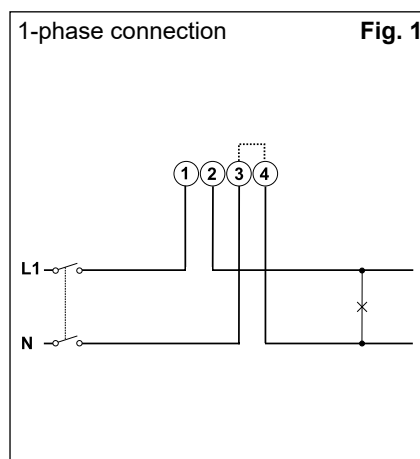
Page number	Variable	Min. Max. Indication	Notes
1	kWh	from 0.01 to 999999, autoranging.	Total (only consumed energy)
2	kvarh	from 0.0 to 99999.9	Total (only consumed energy)
3	kW	from 0.00 to 9.99	
4	kW dmd	from 0.00 to 9.99	Integration time programmable from 1 to 30 minutes
5	kW dmd max	from 0.00 to 9.99	Max value with data storage (in EEPROM)
6	V	from 0.0 to 999.9	
7	A	from 0.0 to 32.00	
8	Hz	from 48.0 to 62.0	
9	PF (cosφ)	from L/C. 00 to L/C. 99	
10	kvar	from 0.00 to 9.99	

Note: In case of X option all the variables above can be scrolled using the front push button, in case of PF option the push button is not available and the variables are automatically scrolled.

Insulation between inputs and outputs

	Measuring inputs	Relay output	Open collector output	AC self-power supply
Measuring inputs	-	4kV	4kV	0kV
Relay output	4kV	-	4kV	4kV
Open collector output	4kV	4kV	-	4kV
AC self-power supply	0kV	4kV	4kV	-

Wiring diagrams and relay output (R1)



NOTE: The 3 and 4 terminals, in the instrument, are wired together

Wiring diagrams and open collector output (O1)

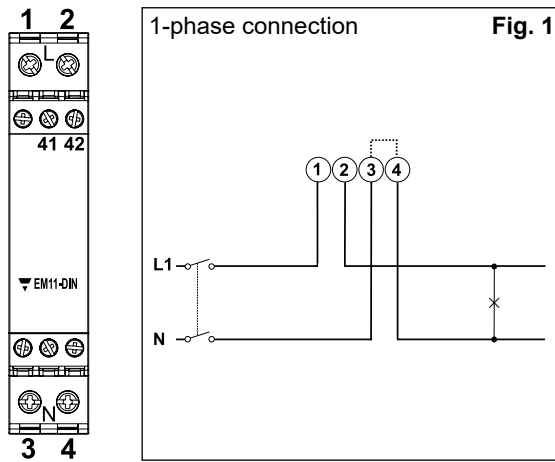


Fig. 1

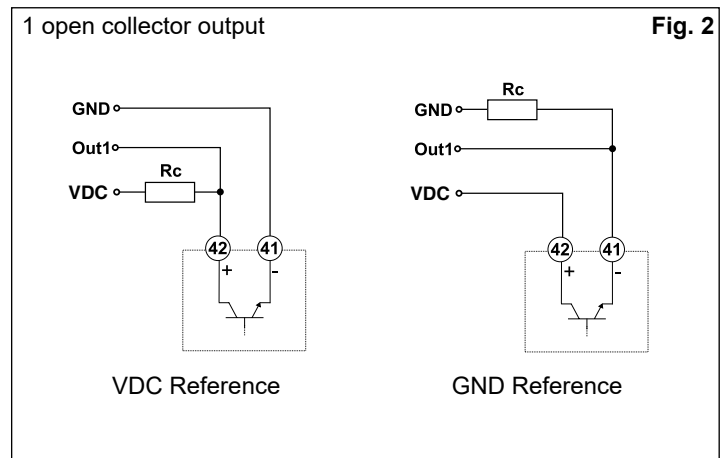
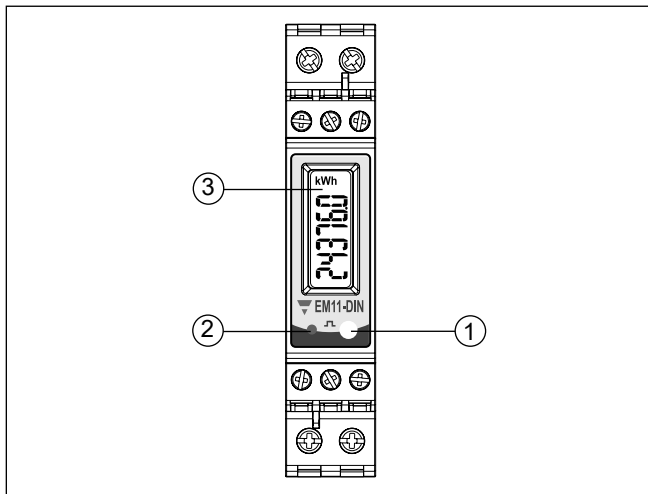


Fig. 2

NOTE: The 3 and 4 terminals, in the instrument, are wired together

The load resistances (Rc) must be designed so that the close contact current is lower than 100mA; the VDC voltage must be lower than or equal to 30VDC.

Frontal panel description



1. Push button

To program the configuration parameters and the display of the variables.
Not available in case of PF option.

2. LED

Red LED to show the consumed energy.

3. Display

LCD-type with alphanumeric indication to:
- display configuration parameters;
- display all the measured variables.

Dimensions and panel cut-out

