



Chipsmall Limited consists of a professional team with an average of over 10 year of expertise in the distribution of electronic components. Based in Hongkong, we have already established firm and mutual-benefit business relationships with customers from,Europe,America and south Asia,supplying obsolete and hard-to-find components to meet their specific needs.

With the principle of “Quality Parts,Customers Priority,Honest Operation,and Considerate Service”,our business mainly focus on the distribution of electronic components. Line cards we deal with include Microchip,ALPS,ROHM,Xilinx,Pulse,ON,Everlight and Freescale. Main products comprise IC,Modules,Potentiometer,IC Socket,Relay,Connector.Our parts cover such applications as commercial,industrial, and automotives areas.

We are looking forward to setting up business relationship with you and hope to provide you with the best service and solution. Let us make a better world for our industry!



## Contact us

Tel: +86-755-8981 8866 Fax: +86-755-8427 6832

Email & Skype: info@chipsmall.com Web: www.chipsmall.com

Address: A1208, Overseas Decoration Building, #122 Zhenhua RD., Futian, Shenzhen, China

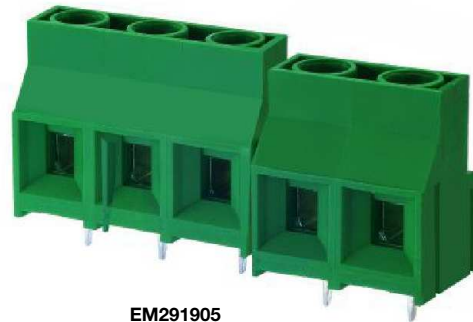


**EM2919 Series**  
**EuroMag Terminal Blocks**  
 9.52 Centers; Modular

**SPECIFICATIONS**

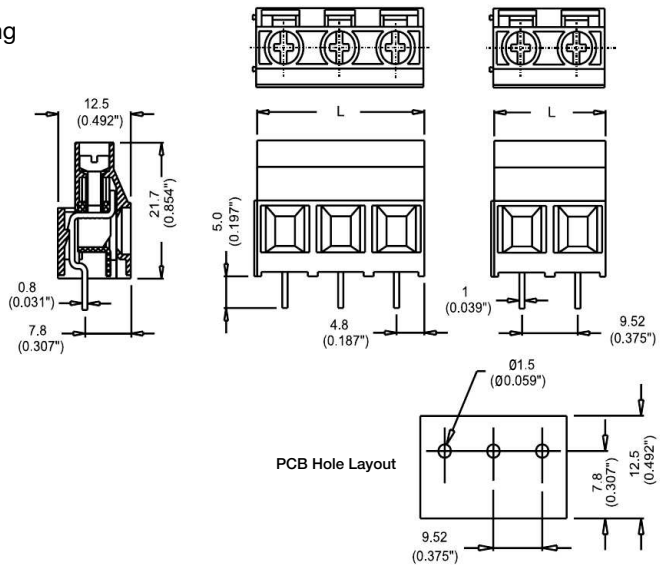
**Rating:** 30A, 600V  
**Center Spacing:** 0.375" (9.52mm)  
**Wire Range:** #10-24 AWG  
**Housing Material:** UL rated 94V0 Thermoplastic  
**Contact Material:** Brass Tin-Plated  
**Cage Material:** Steel, Nickel-Plated  
**Screw Size:** M3.0 Zinc-Plated Steel  
**Operating Temperature:** 105°C (221°F) max., -40°C (-40°F) min.

**Torque Rating:** 9.0 lb-in.  
**Recommended PCB Hole Diameters:** 0.055" (1.40mm)  
**Construction:** Modular design features dovetails for interlocking to achieve longer lengths  
**Agency Information:** cULus File E62622; CE Certified



EM291905

**Dimensions - mm (in)**



Poles	L (mm)	Poles	L (mm)
2	19.04	14	133.28
3	28.56	15	142.80
4	38.08	16	152.32
5	47.60	17	161.84
6	57.12	18	171.36
7	66.64	19	180.88
8	76.16	20	190.40
9	85.68	21	199.92
10	95.20	22	209.44
11	104.72	23	218.96
12	114.24	24	228.48
13	123.76		

To convert to inches, divide by 25.4

**Part Numbering System**



Terminal Blocks:  
Single Row

EuroMag Series  
High Current

Edge Connectors,  
One-Sided Boards

Compliance  
References