



Chipsmall Limited consists of a professional team with an average of over 10 year of expertise in the distribution of electronic components. Based in Hongkong, we have already established firm and mutual-benefit business relationships with customers from,Europe,America and south Asia,supplying obsolete and hard-to-find components to meet their specific needs.

With the principle of “Quality Parts,Customers Priority,Honest Operation,and Considerate Service”,our business mainly focus on the distribution of electronic components. Line cards we deal with include Microchip,ALPS,ROHM,Xilinx,Pulse,ON,Everlight and Freescale. Main products comprise IC,Modules,Potentiometer,IC Socket,Relay,Connector.Our parts cover such applications as commercial,industrial, and automotives areas.

We are looking forward to setting up business relationship with you and hope to provide you with the best service and solution. Let us make a better world for our industry!



Contact us

Tel: +86-755-8981 8866 Fax: +86-755-8427 6832

Email & Skype: info@chipsmall.com Web: www.chipsmall.com

Address: A1208, Overseas Decoration Building, #122 Zhenhua RD., Futian, Shenzhen, China



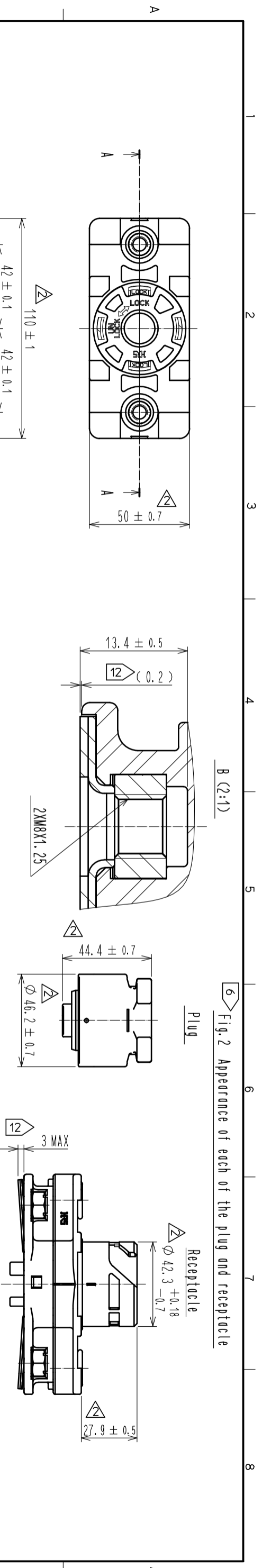
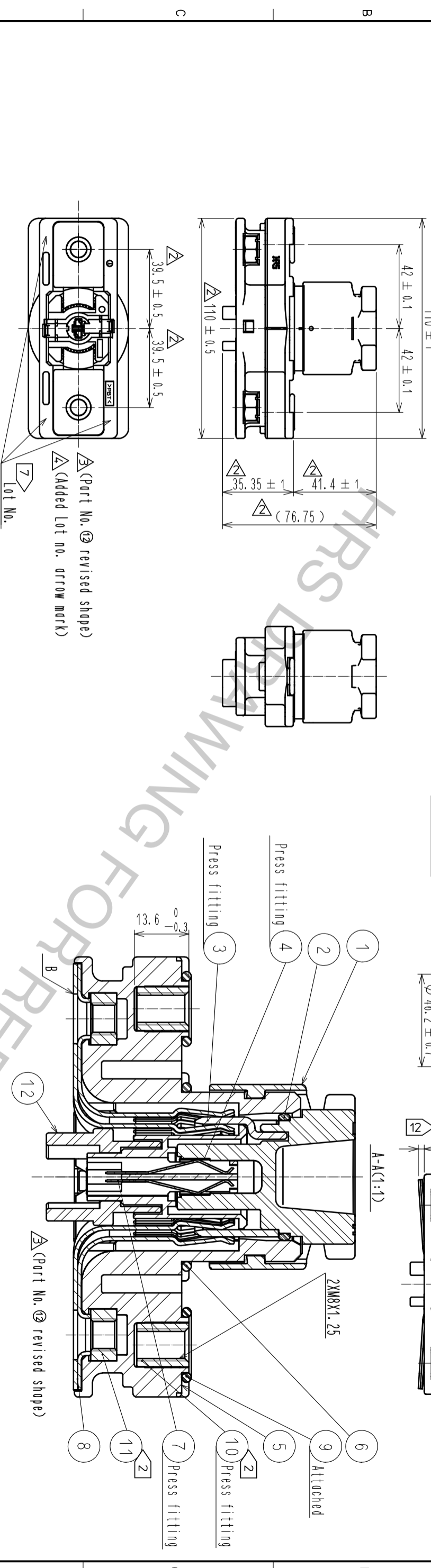


Fig. 2 Appearance of each of the plug and receptacle



Notes 1 Make sure that the O-ring is NOT twisting and properly assembled during this mounting process.

2 Use ring terminal M8 for the power contact.

The recommended tightening torque of Ref No. ⑩ and ⑪ is 6.0 to 6.5 N · m. Recommended bolt size are as follows.

- Ref No. ⑩ : Screw size M8, Pitch 1.25 Length 10 to 12 mm.
(For panel thickness. Refer to the next page Fig. 1)
- Ref No. ⑪ : Screw size M8, Pitch 1.25 Length 12 to 15 mm.
(Assume ring terminal thickness t = 2.5 to 3.)

When using ring terminal with different thickness, choose appropriate bolt size per the thickness.)
The recommended adhesive : LOCTITE 243 made by HENKEL JAPAN.

3 Mating connector at signal contact side is as follows.

Connector	G18E-2S-2C	CL758-0030-6-00	For AMG#20~22 Reel contact
	G18E-2022SCF	CL758-0033-4-00	For AMG#24~28 Reel contact
	G18B-2428SCF	CL758-0055-7-00	For AMG#20~22 Bulk contact
	G18E-2022SC	CL758-0101-2-00	

4 Fig. 1 shows the recommended panel cut out dimensions.

Roughness on the panel surface indicated by [hatched symbol] for water sealing must be Rz 3.2

5 This product is delivered with the plug and receptacle unmated as shown in Fig. 4.

6 Appearance of each of the plug and receptacle are shown in Fig. 2

7 Lot No. is marked in one the indicated part shown.

8 Make sure the locking system firmly completed before using the this product.

Fig. 3 indicates rotated position of the plug and the receptacle with locking completed. Also, 'LOCK' marking on the receptacle can be seen from the plug hole.

WARNING 9

- Never engage/disengage the plug while the power contacts (Ref No. ③ and Ref. No. ④) are energized. Signal contacts are sequentially connected after the power line in the plug engagement, and disconnected before the power line in the disengagement. Therefore, use the product with the circuit to avoid hot-plugging provided. Mating sequence of power line and signal line are shown in Fig. 1 along with the appearance and circuit of each state. Rotated position of the plug and the receptacle are shown as an example.
- 10 For product handling, refer to the Operation guide E1AD-C0320.
- 11 Female contact Ref. No. ⑩ is loose before the bolt is attached to Ref. No. ⑪ and the female contact is movable as shown in Fig. 2, but stabilized to the receptacle after the screw fix. Therefore the looseness is eliminated for the use and does not affect its performance. (Q. 2) shown in Fig. ⑩ is the state when the bolt is tightened.

WARNING 13

Engage the plug to the receptacle after all the assembly including cable wiring are completed for safety.

NO.	MATERIAL	FINISH	REMARKS	NO.	MATERIAL	FINISH	REMARKS
6	Hydrogenation acrylonitrile butadiene rubber	(Black)		12	polyethylene terephthalate	(Black)	UL94V-0
5	polyethylene terephthalate	(Orange)	UL94V-0	11	Brass		Nickel plating
4	Copper alloy	Tin plating 1μm MIN		10	Brass		Nickel plating
3	Copper	Silver plating 3μm MIN		9	Hydrogenation acrylonitrile butadiene rubber	(Black)	
2	Hydrogenation acrylonitrile butadiene rubber	(Black)		8	Copper alloy		Silver plating 3μm MIN
1	polyethylene terephthalate	(Orange)	UL94V-0	7	Copper alloy		Tin plating 1μm MIN

UNITS	SCALE	COUNT	DESCRIPTION OF REVISIONS	DESIGNED	CHECKED	DATE
mm	1 : 2	1	DIS-C-00000670	YS.SAKODA	YH.YAMADA	15.12.21

NO.	DESIGNED	CHECKED	DATE
1	TY. SUZUKI	TY. SUZUKI	14.07.02
2	TY. SUZUKI	TY. SUZUKI	14.07.02

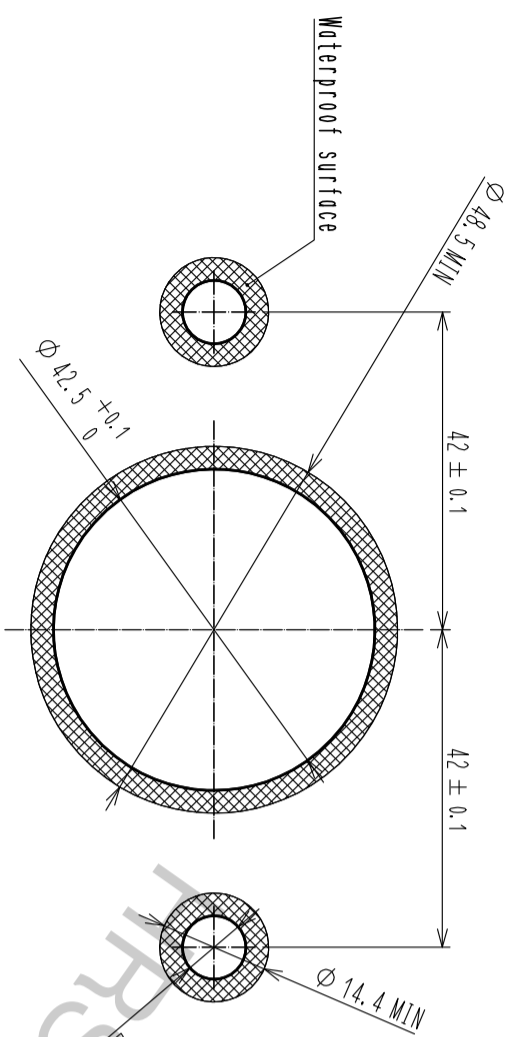
NO.	DESIGNED	CHECKED	DATE
1	TY. SUZUKI	TY. SUZUKI	14.07.02
2	TY. SUZUKI	TY. SUZUKI	14.07.02

HRS
HIROSE ELECTRIC CO., LTD.

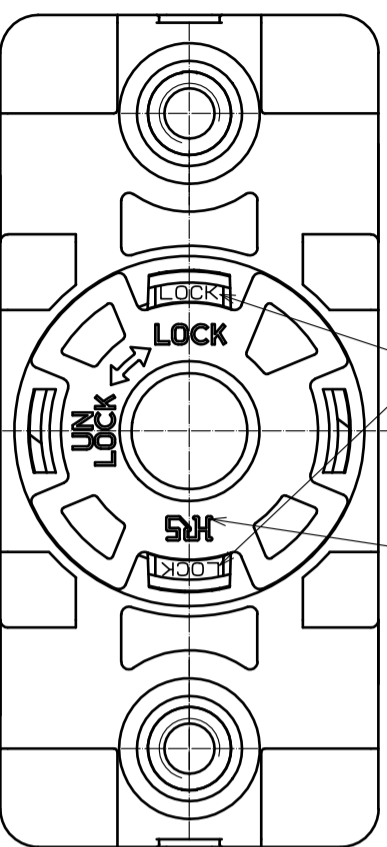
Approved : SU. OBARA
Checked : HY. KOBAYASHI
Designed : TY. SUZUKI
DRAWN : TY. SUZUKI

EDC3-118302-00
EM30MSD
CL138-0200-0-00

4 Fig.1 The recommended panel dimension (t = 2 to 4.5)

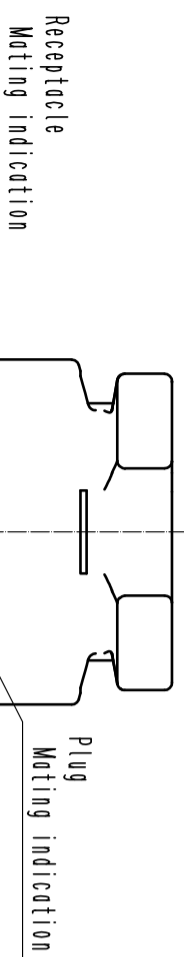


8 Fig.3 State of locked



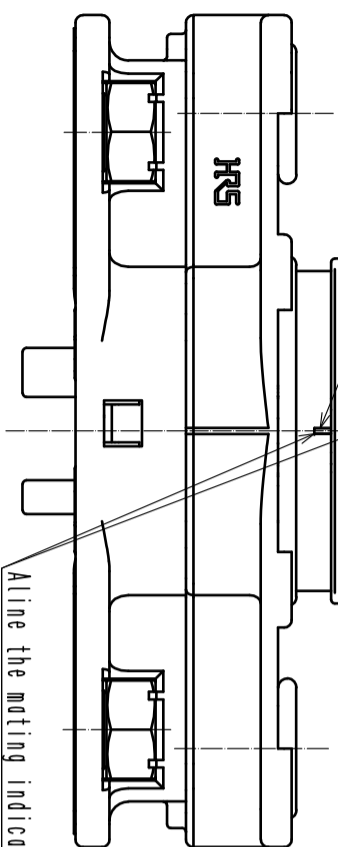
LOCK indication is visible.

Top face of HRS logo becomes parallel to the shortside of the receptacle.



Receptacle Mating indication

Plug Mating indication



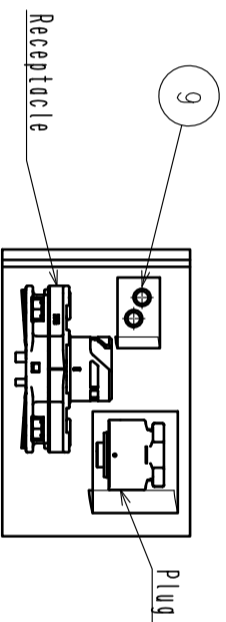
Align the mating indications on the plug and the receptacle

9 Table.1 Connection Timing (Power line and signal line)

State	Before mating	Insertion plug	Rotated and Locked	Unlocked	Unmated
Appearance					
Connection		Power line closed. Signal line open. No power current.	Lock complete in mating indication. (The details refer to Fig.3)	Signal line open. Power line OFF.	
Circuit diagram					



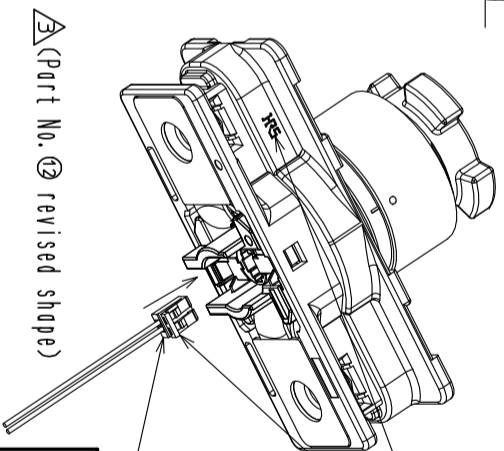
5 Fig.4 View of packing style



Receptacle

Plug

3 View of signal contact side



(Part No. ② revised shape)

G18E-2S-2C

Have the receptacle with HRS mark and the G18E in the direction shown. Then insert the G18E with its lock turned up.

HRS
 図番: EDC3-118302-00
 製品名: EM30MSD
 製品番号: CL138-0200-0-00