



Chipsmall Limited consists of a professional team with an average of over 10 year of expertise in the distribution of electronic components. Based in Hongkong, we have already established firm and mutual-benefit business relationships with customers from,Europe,America and south Asia,supplying obsolete and hard-to-find components to meet their specific needs.

With the principle of “Quality Parts,Customers Priority,Honest Operation,and Considerate Service”,our business mainly focus on the distribution of electronic components. Line cards we deal with include Microchip,ALPS,ROHM,Xilinx,Pulse,ON,Everlight and Freescale. Main products comprise IC,Modules,Potentiometer,IC Socket,Relay,Connector.Our parts cover such applications as commercial,industrial, and automotives areas.

We are looking forward to setting up business relationship with you and hope to provide you with the best service and solution. Let us make a better world for our industry!



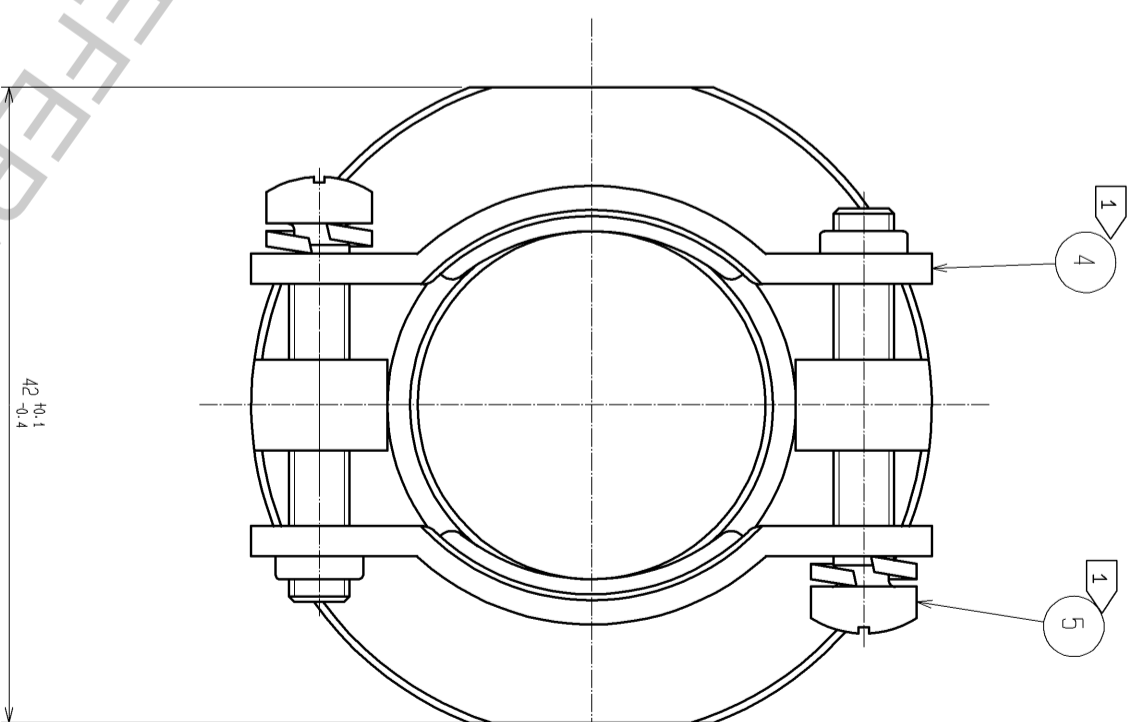
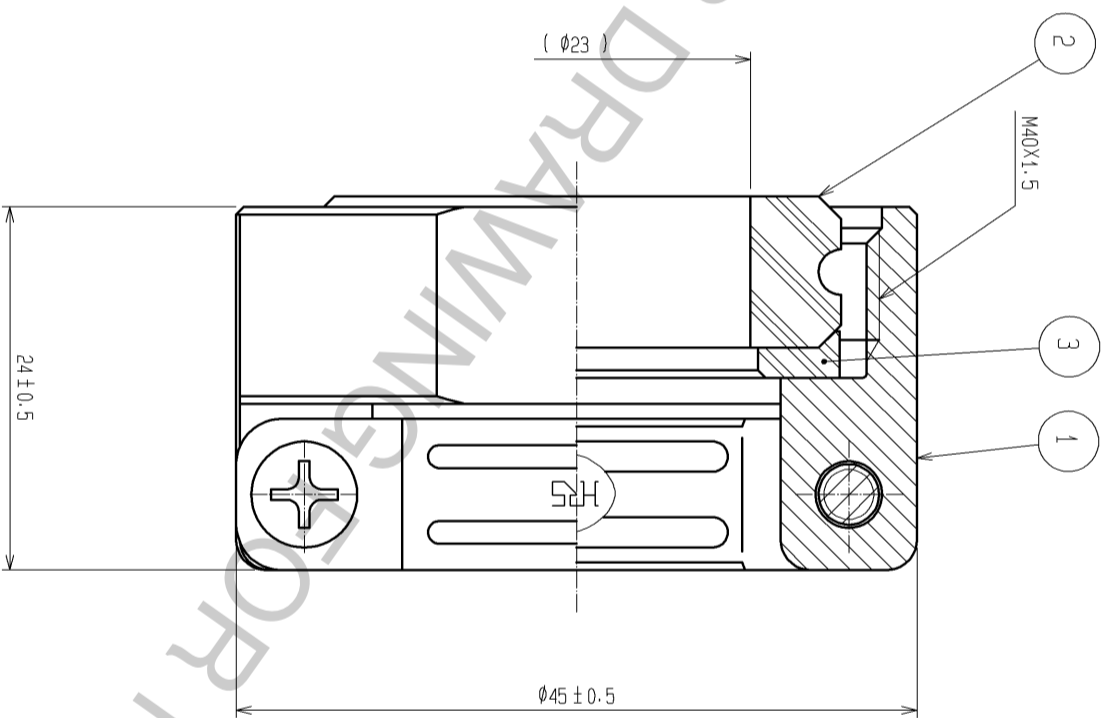
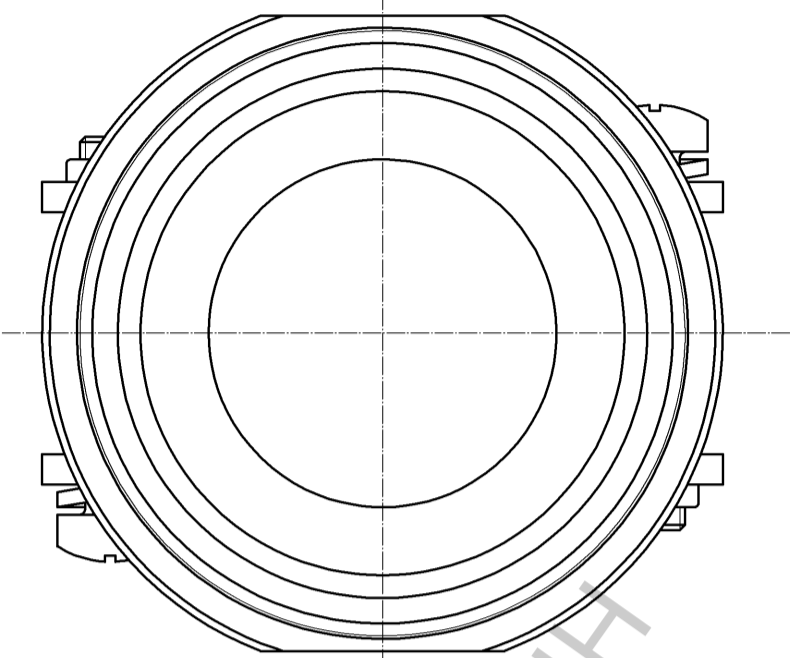
## Contact us

Tel: +86-755-8981 8866 Fax: +86-755-8427 6832

Email & Skype: info@chipsmall.com Web: www.chipsmall.com

Address: A1208, Overseas Decoration Building, #122 Zhenhua RD., Futian, Shenzhen, China





- NOTES
- 1 THE RECOMMENDED TIGHTENING TORQUE REF NO. ① : 6 TO 7 N · m.  
THE RECOMMENDED TIGHTENING TORQUE REF NO. ② : 1.2 TO 1.5 N · m.
  - 2 THE RECOMMENDED ADHESIVE OF REF NO. ③:LOCTITE 242 BY HENKEL JAPAN LTD.  
WATER RESISTANCE, CABLE CLAMP FORCE, CABLE RETENTION FORCE IN AXIAL DIRECTION  
AND OTHER CHARACTERISTICS COULD VARY DEPENDING ON EACH CABLE CONSTRUCTION.
  - 3 THIS PRODUCT IS DELIVERED DISASSEMBLED.

NO.	MATERIAL	FINISH	REMARKS	NO.	MATERIAL	FINISH	REMARKS
3	POLYACETAL	(WHITE)		5	STAINLESS STEEL		
2	SILICONE RUBBER	(BLACK)		4	STAINLESS STEEL		
1	ALUMINUM ALLOY	NIKEL PLATING					

UNITS	SCALE	COUNT	DESCRIPTION OF REVISIONS	DESIGNED	CHECKED	DATE
mm	2 : 1					

<b>HRS</b>	HIROSE ELECTRIC CO., LTD.	APPROVED : SU. OBARA	09.10.20	DRAWING NO.	EDC3-115589-00
		CHECKED : HY. KOBAYASHI	09.10.19	PART NO.	EM35WCC-23
		DESIGNED : HS. NAGANO	09.10.19	CODE NO.	CL138-0007-0-00
		DRAWN : HS. NAGANO	09.10.19		