



Chipsmall Limited consists of a professional team with an average of over 10 year of expertise in the distribution of electronic components. Based in Hongkong, we have already established firm and mutual-benefit business relationships with customers from,Europe,America and south Asia,supplying obsolete and hard-to-find components to meet their specific needs.

With the principle of “Quality Parts,Customers Priority,Honest Operation,and Considerate Service”,our business mainly focus on the distribution of electronic components. Line cards we deal with include Microchip,ALPS,ROHM,Xilinx,Pulse,ON,Everlight and Freescale. Main products comprise IC,Modules,Potentiometer,IC Socket,Relay,Connector.Our parts cover such applications as commercial,industrial, and automotives areas.

We are looking forward to setting up business relationship with you and hope to provide you with the best service and solution. Let us make a better world for our industry!



Contact us

Tel: +86-755-8981 8866 Fax: +86-755-8427 6832

Email & Skype: info@chipsmall.com Web: www.chipsmall.com

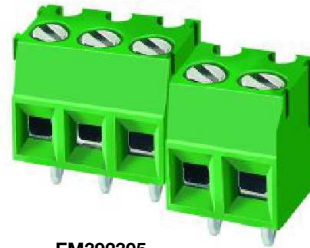
Address: A1208, Overseas Decoration Building, #122 Zhenhua RD., Futian, Shenzhen, China



EM3923 Series
EuroMag Terminal Blocks
 3.50 Centers; Modular

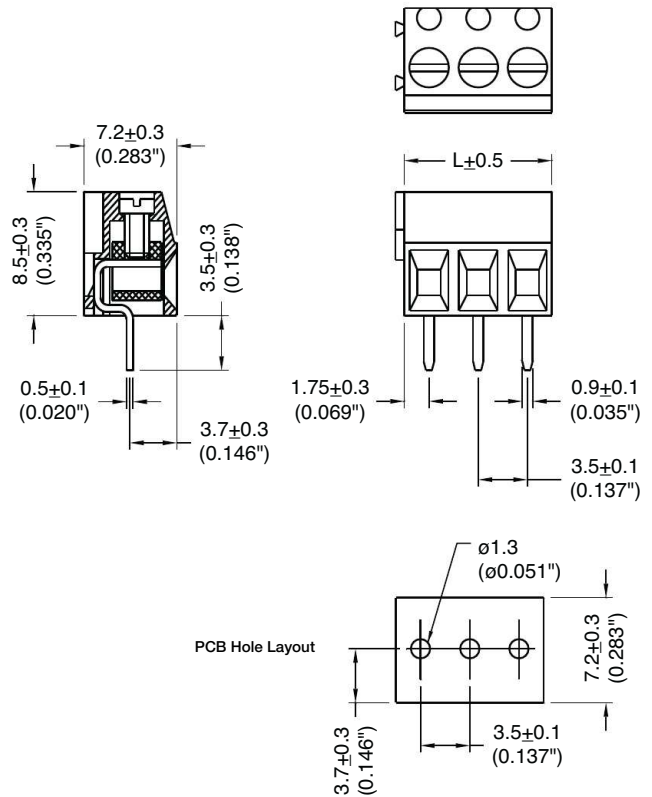
SPECIFICATIONS

- Rating:** 10A, 300V
- Center Spacing:** 0.138" (3.50mm)
- Wire Range:** #16-26 AWG
- Housing Material:** UL rated 94V0 Thermoplastic
- Contact Material:** Brass Tin-Plated
- Cage Material:** Brass, Nickel-Plated
- Screw Size:** M2.0 Zinc-Plated Steel
- Operating Temperature:** 105°C (221°F) max., -40°C (-67°F) min.
- Torque Rating:** 1.5 lb-in.
- Recommended PCB Hole Diameters:** 0.055" (1.40mm)
- Construction:** Modular design features dovetails for interlocking to achieve longer lengths
- Agency Information:** File E62622; CE Certified



EM392305

Dimensions - mm (in)



Poles	L (mm)	Poles	L (mm)
2	7.0	14	49.5
3	10.5	15	52.5
4	14.0	16	56.0
5	17.5	17	59.5
6	21.0	18	63.0
7	24.5	19	66.5
8	28.0	20	70.0
9	31.5	21	73.5
10	35.0	22	77.0
11	38.5	23	80.5
12	42.0	24	84.0
13	45.5		

To convert to inches, divide by 25.4

Part Numbering System



Terminal Blocks: Single Row

EuroMag Series Cage & Screw

Edge Connectors, One-Sided Boards

Compliance References

EM3503 Series
EuroMag Terminal Blocks
 3.81 Centers; Modular

SPECIFICATIONS

Rating: 8A, 300V

Center Spacing: 0.150" (3.81mm)

Wire Size: #16-26 AWG

Housing Material: UL rated 94V0 Thermoplastic

Contact Material: Brass Tin-Plated

Screw Size: M2.0 Zinc-Plated Steel

Operating Temperature: 105°C (221°F) max., -40°C (-40°F) min.

Torque Rating: 3.0 lb-in.

Recommended PCB Hole Diameters: 0.055" (1.40mm)

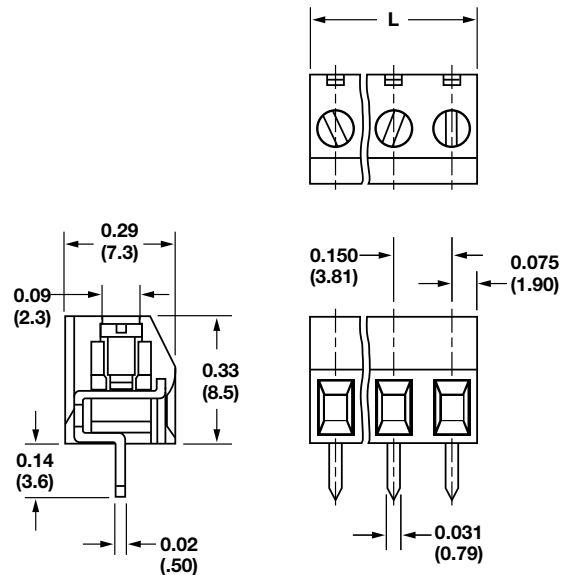
Construction: Modular design features dovetails for interlocking to achieve longer lengths

Agency Information: File E62622; CE Certified



EM350305

Dimensions - in (mm)



Poles	L (mm)	Poles	L (mm)
2	7.62	14	53.34
3	11.43	15	57.15
4	15.24	16	60.96
5	19.05	17	64.77
6	22.86	18	68.58
7	26.67	19	72.39
8	30.48	20	76.20
9	34.29	21	80.01
10	38.10	22	83.82
11	41.91	23	87.63
12	45.72	24	91.44
13	49.53		

To convert to inches, divide by 25.4

Part Numbering System

Series

of Positions



02 to 24

Terminal Blocks:
Single Row

EuroMag Series
Cage & Screw

Edge Connectors,
One-Sided Boards

Compliance
References

EM2585 Series
EuroMag Terminal Blocks
 5.00 Centers; Modular

SPECIFICATIONS

Rating: 16A, 300V

Center Spacing: 0.197" (5.00mm)

Wire Range: #12-26 AWG

Housing Material: UL rated 94V0 Thermoplastic

Contact Material: Brass Tin-Plated

Screw Size: M2.6 Zinc-Plated Steel

Operating Temperature: 105°C (221°F) max., -40°C (-40°F) min.

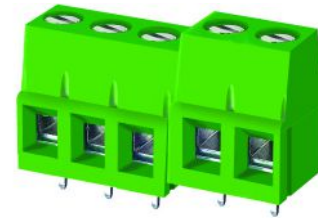
Torque Rating: 5.0 lb-in.

Recommended PCB Hole Diameters: 0.055" (1.40mm)

Construction: Modular design features dovetails for interlocking to achieve longer lengths

Connector Style: Rising Cage and screw

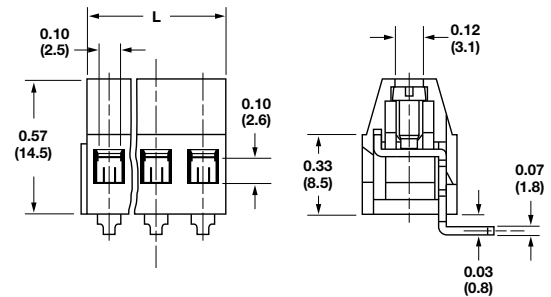
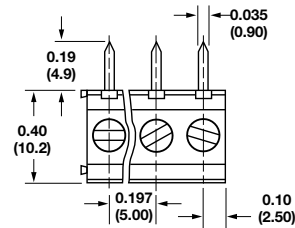
Agency Information: cULus File E62622; CE Certified



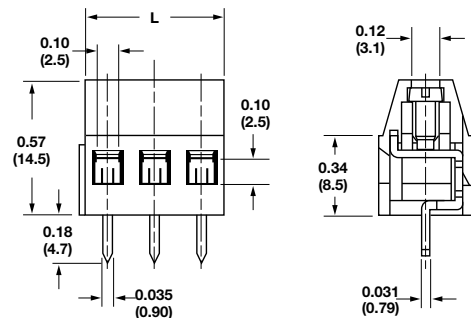
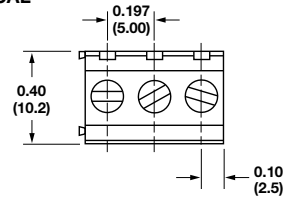
EM258505V

Dimensions - in (mm)

HORIZONTAL



VERTICAL



Position	L (mm)	Position	L (mm)
02	10.0	14	70.0
03	15.0	15	75.0
04	20.0	16	80.0
05	25.0	17	85.0
06	30.0	18	90.0
07	35.0	19	95.0
08	40.0	20	100.0
09	45.0	21	105.0
10	50.0	22	110.0
11	55.0	23	115.0
12	60.0	24	120.0
13	65.0		

To convert to inches, divide by 25.4

Part Numbering System

Series	# of Positions	Orientation
EM2585	<input type="checkbox"/> <input type="checkbox"/>	<input type="checkbox"/>
	02 to 24	H - horizontal V - vertical

Terminal Blocks:
Single Row

EuroMag Series
Cage & Screw

Edge Connectors,
One-Sided Boards

Compliance
References

EM3225 Series
EuroMag Terminal Blocks
 35° Angle; 5.00 Centers; Modular

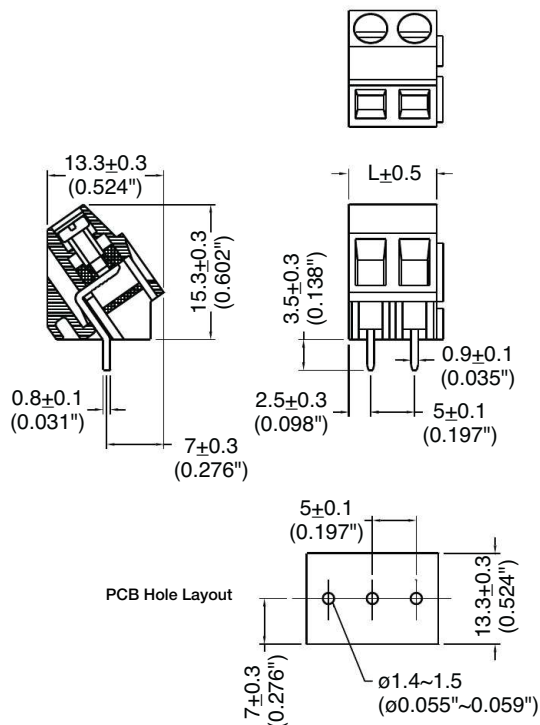
SPECIFICATIONS

- Rating:** 16A, 300V
- Center Spacing:** 0.197" (5.00mm)
- Wire Range:** #12-26 AWG
- Housing Material:** UL rated 94V0 Thermoplastic
- Contact Material:** Brass Tin-Plated
- Cage Material:** Brass, Nickel-Plated
- Screw Size:** M2.6 Zinc-Plated Steel
- Operating Temperature:** 105°C (221°F) max., -40°C (-40°F) min.
- Torque Rating:** 5 lb-in.
- Recommended PCB Hole Diameters:** 0.055" (1.40mm)
- Construction:** Modular design features dovetails for interlocking to achieve longer lengths
- Agency Information:** File E62622; CE Certified



EM322505

Dimensions - mm (in)



Poles	L (mm)	Poles	L (mm)
2	10.0	14	70.0
3	15.0	15	75.0
4	20.0	16	80.0
5	25.0	17	85.0
6	30.0	18	90.0
7	35.0	19	95.0
8	40.0	20	100.0
9	45.0	21	105.0
10	50.0	22	110.0
11	55.0	23	115.0
12	60.0	24	120.0
13	65.0		

To convert to inches, divide by 25.4

Part Numbering System



Terminal Blocks:
Single Row

EuroMag Series
Cage & Screw

Edge Connectors,
One-Sided Boards

Compliance
References

EM2205 Series

EuroMag Terminal Blocks

45° Angle, 5.00 Centers, Modular

SPECIFICATIONS

Rating: 10A, 300V

Center Spacing: 0.197" (5.00mm)

Wire Range: #12-24 AWG

Housing Material: Grey Polyamide Type 6/6, 94V0

Contact Material: Brass Tin-Plated

Cage Material: Brass, Tin-Plated

Screw Size: M2.6 Zinc-Plated Steel

Operating Temperature: 105°C (221°F) max., -33°C (-27°F) min.

Torque Rating: 3.5 lb-in.

Recommended PCB Hole Diameters: 0.055" (1.40mm)

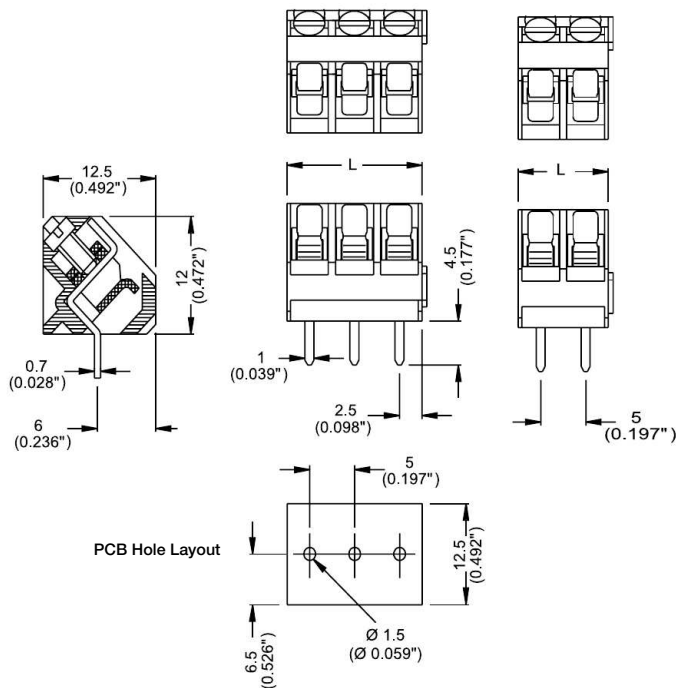
Construction: Modular design features dovetails for interlocking to achieve longer lengths

Agency Information: US File E62622; CE Certified



EM220505

Dimensions - mm (in)



Poles	L (mm)	Poles	L (mm)
2	10.0	14	70.0
3	15.0	15	75.0
4	20.0	16	80.0
5	25.0	17	85.0
6	30.0	18	90.0
7	35.0	19	95.0
8	40.0	20	100.0
9	45.0	21	105.0
10	50.0	22	110.0
11	55.0	23	115.0
12	60.0	24	120.0
13	65.0		

To convert to inches, divide by 25.4

Part Numbering System

Series

of Poles

EM2205

□□

02 to 24

Terminal Blocks:
Single Row

EuroMag Series
Cage & Screw

Edge Connectors,
One-Sided Boards

Compliance
References

**EM2505 Series
EuroMag Terminal Blocks**

5.08 Centers; Modular

SPECIFICATIONS

Rating: 16A, 300V

Center Spacing: 0.20" (5.08mm)

Wire Range: #12-26 AWG

Housing Material: UL rated 94V0 Thermoplastic

Contact Material: Brass Tin-Plated

Screw Size: M2.6 Zinc-Plated Steel

Operating Temperature: 105°C (221°F) max., -40°C (-40°F) min.

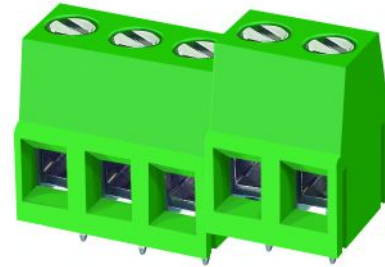
Torque Rating: 5.0 lb-in.

Recommended PCB Hole Diameters: 0.055" (1.40mm)

Construction: Modular design features dovetails for interlocking to achieve longer lengths

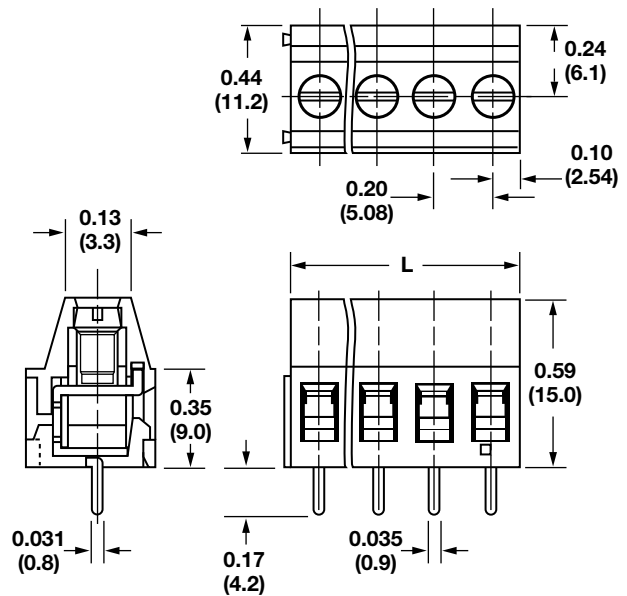
Connector Style: Rising Cage and Screw

Agency Information: File E62622; CE Certified



EM250505V

Dimensions - in (mm)



Position	L (mm)	Position	L (mm)
02	10.16	14	71.12
03	15.24	15	76.20
04	20.32	16	81.28
05	25.40	17	86.36
06	30.48	18	91.44
07	35.56	19	96.52
08	40.64	20	101.60
09	45.72	21	106.68
10	50.80	22	111.76
11	55.88	23	116.84
12	60.96	24	121.92
13	66.04		

To convert to inches, divide by 25.4

Part Numbering System

Series	# of Positions	Orientation
EM2505	<input type="checkbox"/> <input type="checkbox"/>	<input type="checkbox"/>
	02 to 24	V - vertical

Terminal Blocks:
Single Row

EuroMag Series
Cage & Screw

Edge Connectors,
One-Sided Boards

Compliance
References

EM3228 Series
EuroMag Terminal Blocks
 35° Angle; 5.08 Centers; Modular

SPECIFICATIONS

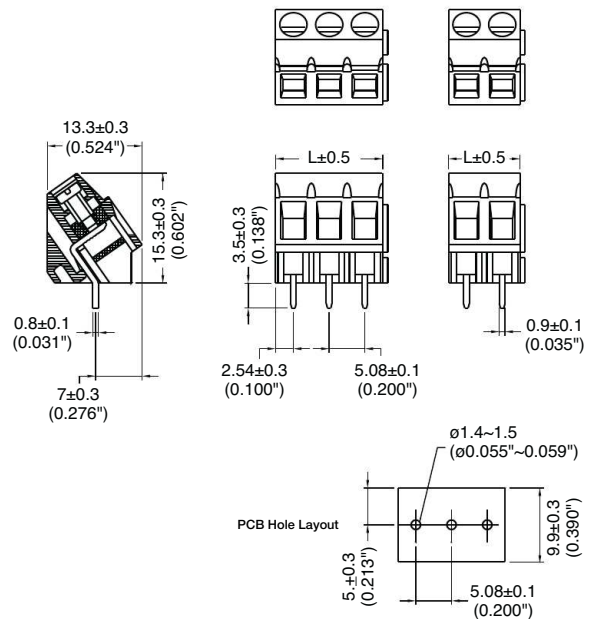
- Rating:** 16A, 300V
- Center Spacing:** 0.20" (5.08mm)
- Wire Range:** #12-26 AWG
- Housing Material:** UL rated 94V0 Thermoplastic
- Contact Material:** Brass Tin-Plated
- Cage Material:** Brass, Nickel-Plated
- Screw Size:** M2.6 Zinc-Plated Steel
- Operating Temperature:** 105°C (221°F) max., -40°C (-40°F) min.
- Torque Rating:** 5 lb-in.

- Recommended PCB Hole Diameters:** 0.055" (1.40mm)
- Construction:** Modular design features dovetails for interlocking to achieve longer lengths
- Agency Information:** e-UL File E62622; CE Certified



EM322805

Dimensions - mm (in)



Poles	L (mm)	Poles	L (mm)
2	10.16	14	72.12
3	15.24	15	76.20
4	20.32	16	81.28
5	25.40	17	86.36
6	30.48	18	91.44
7	35.56	19	96.52
8	40.64	20	101.60
9	45.72	21	106.68
10	50.80	22	111.76
11	55.88	23	116.84
12	60.96	24	121.92
13	66.04		

To convert to inches, divide by 25.4

Part Numbering System



Terminal Blocks: Single Row

EuroMag Series Cage & Screw

Edge Connectors, One-Sided Boards

Compliance References

EM2507 Series
EuroMag Terminal Blocks
 7.50 Centers; Modular

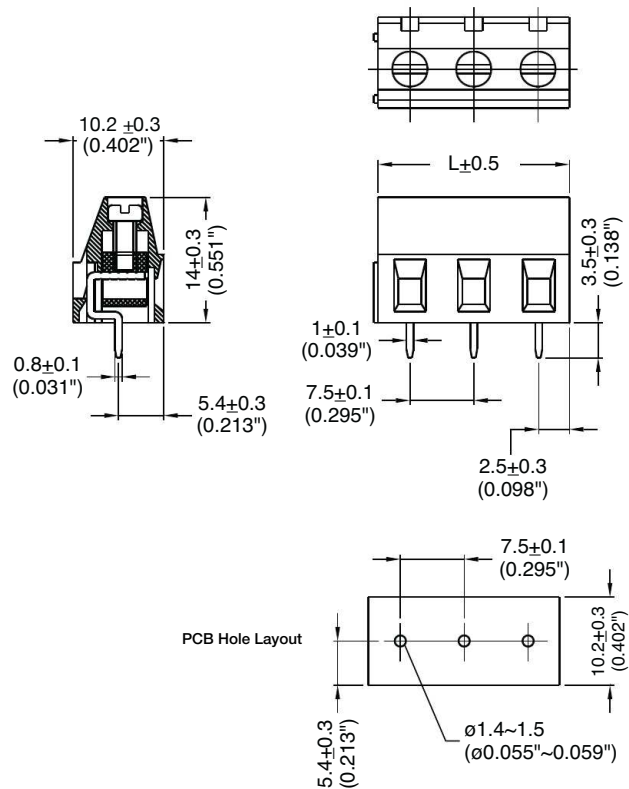
SPECIFICATIONS

- Rating:** 16A, 300V
- Center Spacing:** 0.295" (7.50mm)
- Wire Range:** #12-26 AWG
- Housing Material:** UL rated 94V0 Thermoplastic
- Contact Material:** Brass Tin-Plated
- Cage Material:** Brass, Nickel-Plated
- Screw Size:** M2.6 Zinc-Plated Steel
- Operating Temperature:** 105°C (221°F) max., -40°C (-40°F) min.
- Torque Rating:** 5.0 lb-in.
- Recommended PCB Hole Diameters:** 0.055" (1.40mm)
- Construction:** Modular design features dovetails for interlocking to achieve longer lengths
- Agency Information:** File E62622; CE Certified



EM250705

Dimensions - mm (in)



Poles	L (mm)	Poles	L (mm)
2	15.0	14	105.0
3	22.5	15	112.5
4	33.0	16	120.0
5	37.5	17	127.5
6	45.0	18	133.0
7	52.5	19	142.5
8	60.0	20	150.0
9	67.5	21	157.5
10	75.0	22	165.0
11	82.5	23	172.5
12	90.0	24	180.0
13	97.5		

To convert to inches, divide by 25.4

Part Numbering System



Terminal Blocks:
Single Row

EuroMag Series
Cage & Screw

Edge Connectors,
One-Sided Boards

Compliance
References

EM3227 Series
EuroMag Terminal Blocks
 35° Angle, 7.50 Centers; Modular

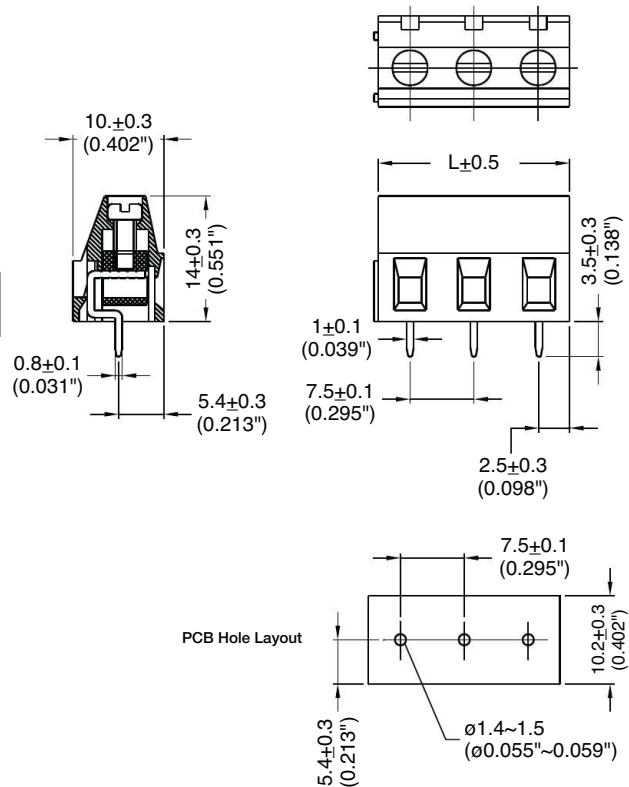
SPECIFICATIONS

- Rating:** 16A, 300V
- Center Spacing:** 0.295" (7.50mm)
- Wire Range:** #12-26 AWG
- Housing Material:** UL rated 94V0 Thermoplastic
- Contact Material:** Brass Tin-Plated
- Cage Material:** Brass, Nickel-Plated
- Screw Size:** M2.6 Zinc-Plated Steel
- Operating Temperature:** 105°C (221°F) max., -40°C (-40°F) min.
- Torque Rating:** 5.0 lb-in.
- Recommended PCB Hole Diameters:** 0.055" (1.40mm)
- Construction:** Modular design features dovetails for interlocking to achieve longer lengths
- Agency Information:** File E62622; CE Certified



EM322705

Dimensions - mm (in)



Poles	L (mm)	Poles	L (mm)
2	15.0	14	105.0
3	22.5	15	112.5
4	33.0	16	120.0
5	37.5	17	127.5
6	45.0	18	133.0
7	52.5	19	142.5
8	60.0	20	150.0
9	67.5	21	157.5
10	75.0	22	165.0
11	82.5	23	172.5
12	90.0	24	180.0
13	97.5		

To convert to inches, divide by 25.4

Part Numbering System



Terminal Blocks:
Single Row

EuroMag Series
Cage & Screw

Edge Connectors,
One-Sided Boards

Compliance
References

EM2506 Series
EuroMag Terminal Blocks
 7.62 Centers; Modular

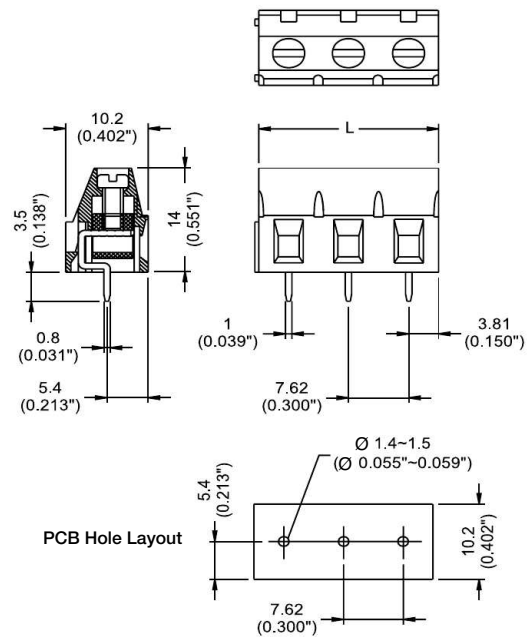
SPECIFICATIONS

- Rating:** 16A, 300V
- Center Spacing:** 0.30" (7.62mm)
- Wire Range:** #14-26 2WG
- Housing Material:** UL rated 94V0 Thermoplastic
- Contact Material:** Brass Tin-Plated
- Cage Material:** Brass, Nickel-Plated
- Screw Size:** M2.6 Zinc-Plated Steel
- Operating Temperature:** 105°C (221°F) max., -40°C (-40°F) min.
- Torque Rating:** 5.0 lb-in.
- Recommended PCB Hole Diameters:** 0.055" (1.40mm)
- Construction:** Modular design features dovetails for interlocking to achieve longer lengths
- Agency Information:** E62622; CE Certified



EM250605

Dimensions - mm (in)



Poles	L (mm)	Poles	L (mm)
2	15.24	14	106.69
3	22.86	15	114.31
4	30.48	16	121.93
5	38.10	17	129.55
6	45.72	18	137.17
7	53.34	19	144.79
8	60.96	20	152.41
9	68.58	21	160.03
10	76.20	22	167.65
11	83.82	23	175.27
12	91.44	24	182.89
13	99.07		

To convert to inches, divide by 25.4

Part Numbering System



Terminal Blocks:
Single Row

EuroMag Series
Cage & Screw

Edge Connectors,
One-Sided Boards

Compliance
References

EM3226 Series
EuroMag Terminal Blocks
 35° Angle, 7.62 Centers; Modular

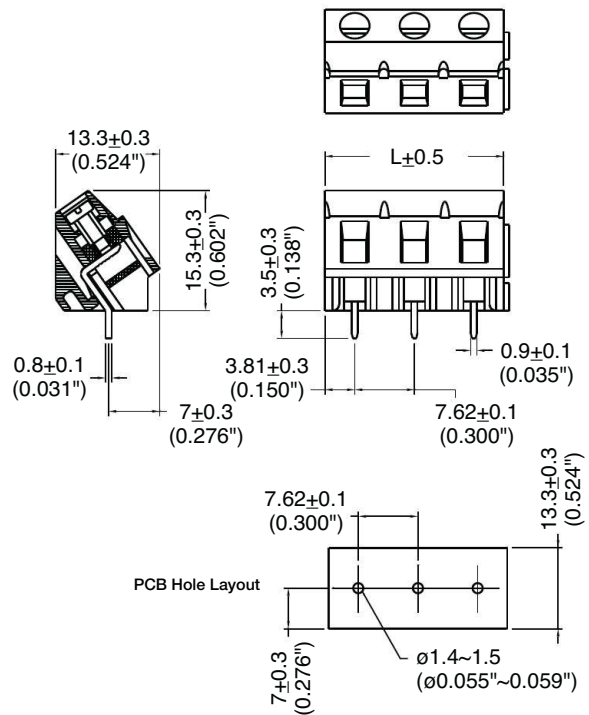
SPECIFICATIONS

- Rating:** 16A, 300V
- Center Spacing:** 0.30" (7.62mm)
- Wire Range:** #12-26 AWG
- Housing Material:** UL rated 94V0 Thermoplastic
- Contact Material:** Brass Tin-Plated
- Cage Material:** Brass, Nickel-Plated
- Screw Size:** M2.6 Zinc-Plated Steel
- Operating Temperature:** 105°C (221°F) max., -40°C (-40°F) min.
- Torque Rating:** 5.0 lb-in.
- Recommended PCB Hole Diameters:** 0.055" (1.40mm)
- Construction:** Modular design features dovetails for interlocking to achieve longer lengths
- Agency Information:** File E62622; CE Certified



EM322605

Dimensions - mm (in)



Poles	L (mm)	Poles	L (mm)
2*	15.24	14	106.69
3*	22.86	15	114.31
4	30.48	16	121.93
5	38.10	17	129.55
6	45.72	18	137.17
7	53.34	19	144.79
8	60.96	20	152.41
9	68.58	21	160.03
10	76.20	22	167.65
11	83.82	23	175.27
12	91.44	24	182.89
13	99.07		

* Mold-to-Length
 To convert to inches, divide by 25.4

Part Numbering System



Terminal Blocks:
Single Row

EuroMag Series
Cage & Screw

Edge Connectors,
One-Sided Boards

Compliance
References