



Chipsmall Limited consists of a professional team with an average of over 10 year of expertise in the distribution of electronic components. Based in Hongkong, we have already established firm and mutual-benefit business relationships with customers from,Europe,America and south Asia,supplying obsolete and hard-to-find components to meet their specific needs.

With the principle of "Quality Parts,Customers Priority,Honest Operation,and Considerate Service",our business mainly focus on the distribution of electronic components. Line cards we deal with include Microchip,ALPS,ROHM,Xilinx,Pulse,ON,Everlight and Freescale. Main products comprise IC,Modules,Potentiometer,IC Socket,Relay,Connector.Our parts cover such applications as commercial,industrial, and automotives areas.

We are looking forward to setting up business relationship with you and hope to provide you with the best service and solution. Let us make a better world for our industry!



Contact us

Tel: +86-755-8981 8866 Fax: +86-755-8427 6832

Email & Skype: info@chipsmall.com Web: www.chipsmall.com

Address: A1208, Overseas Decoration Building, #122 Zhenhua RD., Futian, Shenzhen, China



PRODUCT NUMBER
10123920-XXXLF

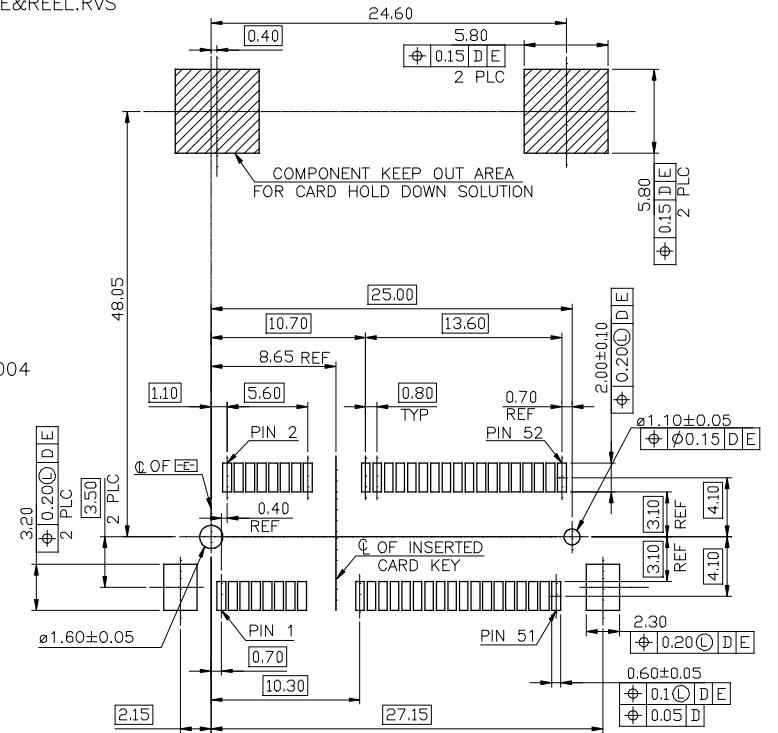
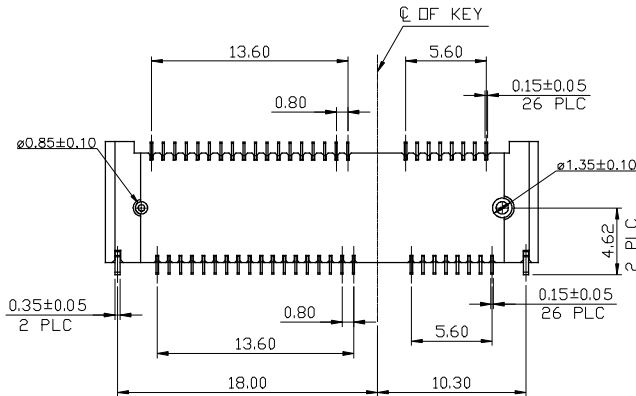
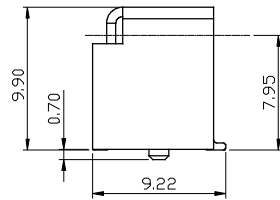
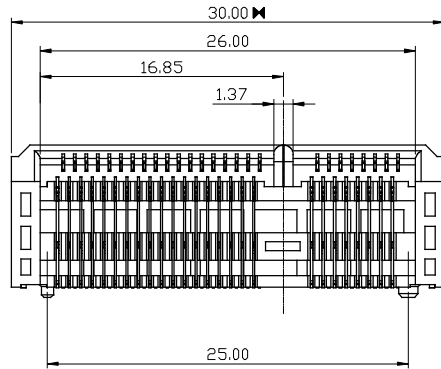
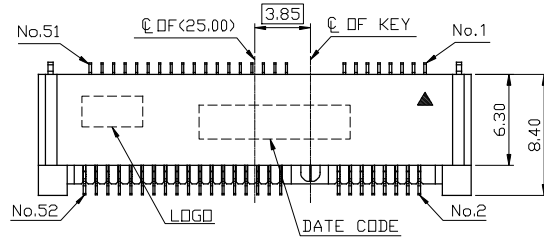
MATERIAL
HOUSING : THERMO PLASTIC UL94V-0 BLACK
CONTACT : COPPER ALLOY
PEG : COPPER ALLOY

PART NO. SCHEMATIC: 10123920 - XX X LF

TERMINAL PLATING _____ PACKING _____
00: NO PLATING 0: TAPE&REEL.STD
G2: GOLD FLASH 1~3μ" OVER Ni 50~100μ" 1: TAPE&REEL.RVS

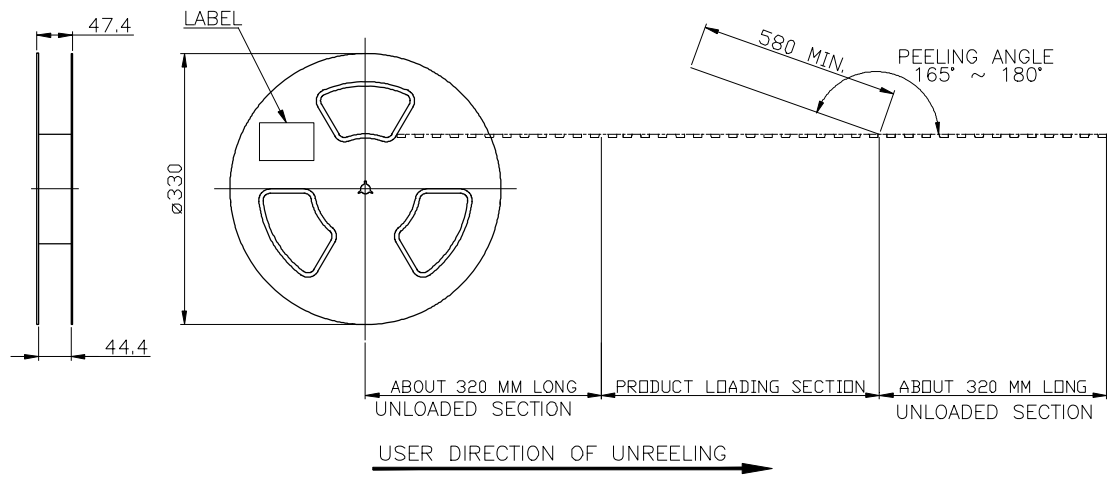
A2: CONTACT AREA AND SOLDER AREA :
SELECTION GOLD 1μ" OVER Ni 50~100μ"
A7: CONTACT AND SOLDER TAIL AREA GOLD PLATING
10μ" MIN OVER Ni 50~100μ"
S7: CONTACT AREA GOLD PLATING
10μ" MIN AND SOLDER TAIL PLATING 1μ" min
OVER Ni 50~100μ"
SB: 30u" MIN. GOLD PLATING ON CONTACT AREA, 1u"
MIN. GOLD ON SOLDER TAILS, 50u"~100u" NICKEL
UNDERPLATING OVER ALL.

PRODUCT SPEC.: GS-12-1111
PACKAGE SPEC.: GS-14-2284
THIS PRODUCT MEETS EUROPEAN UNION DIRECTIVES AND
OTHER COUNTRY REGULATIONS AS DESCRIBED IN GS-47-0004
THE HOUSING WILL WITHSTAND EXPOSURE TO 260°C PEAK
TEMPERATURE FOR 10 SECONDS IN A CONVECTION, IR OR
VAPER PHASE REFLOW OVEN.

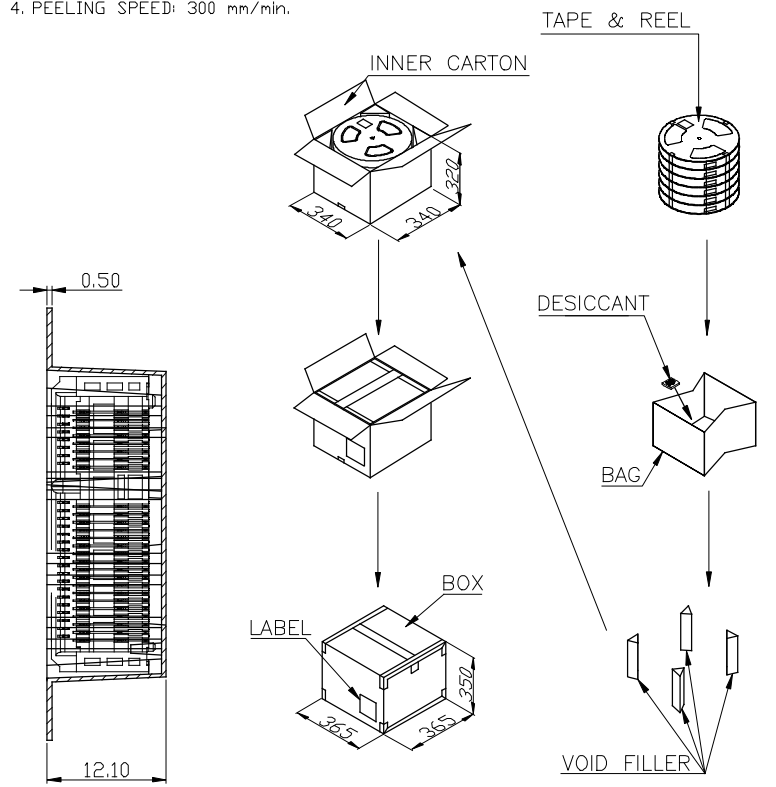
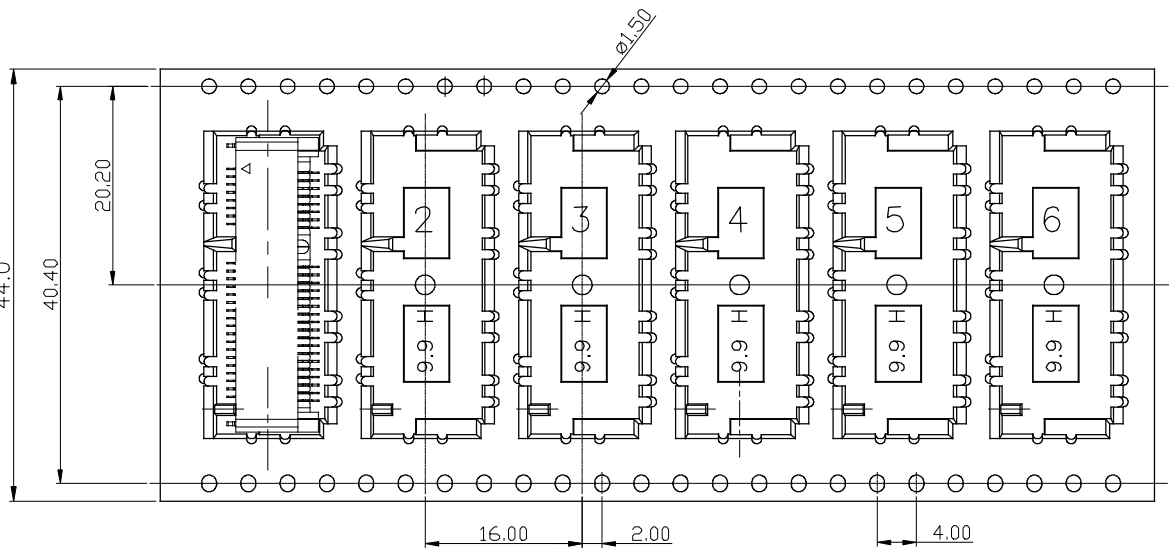


-D- IS THE TOP SURFACE OF PCB
RECOMMENDED P.C.BOARD PATTERN LAYOUT

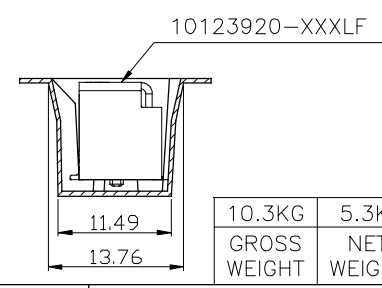
mat'l. code		surface		tolerance ASME Y14.5		projection		product family	
ltr ecn no dr date		tolerances unless otherwise specified		angles		MM		title	
A		TAI	2013-01-29	0°	X.X ± 0.30	↔		0.80MM PITCH MINI PCI EXPRESS HIGH=9.9mm 52 PIN CONNECTOR	
B	ELX-T-14985	TAI	2013-06-17	0°	X.XX ± 0.20	↔			
				X°±4'	X.XXX ± 0.15	scale		dwg no sheet 1 of 3 size	
				dr	KENNY TAI	2013-01-29		FCI	
				enr	KENNY TAI	2013-01-29		10123920 A4	
				chr	KENNY TAI	2013-01-29		type CUSTOMER Drawing	
				appd	PM ZHENG	2013-01-29			
sheet index	revision sheet	B	B	B					
		1	2	3					



- NOTES:
- MATERIAL:
 BOX: FIBREBOARD, CORRUGATED, DOUBLE WALL.
 COVER TAPE: PET, 120C° HEAT-RESISTANT TEMPERATURE, TRANSPARENT COLOR.
 CARRIER TAPE: POLYSTYRENES, 120C° HEAT-RESISTANT TEMPERATURE, TRANSPARENT COLOR.
 REEL: HIPS, 70C° HEAT-RESISTANT TEMPERATURE, BLUE COLOR.
 BAG: POLYETHYLENES, 100C° HEAT-RESISTANT TEMPERATURE, TRANSPARENT COLOR.
 - EACH BAG SHALL BE INCLUDED DESICCANT.
 - PEELING STRENGTH: 0.1 ~ 1.3 N (10 ~ 130 GRAMS).
 - PEELING SPEED: 300 mm/min.

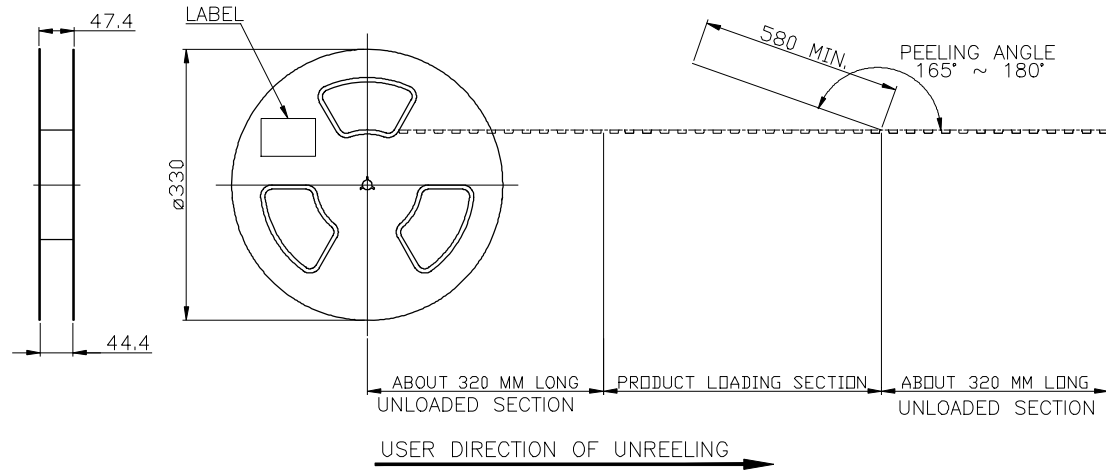


STANDARD TAPE & REEL
(FOR -XXOLF)



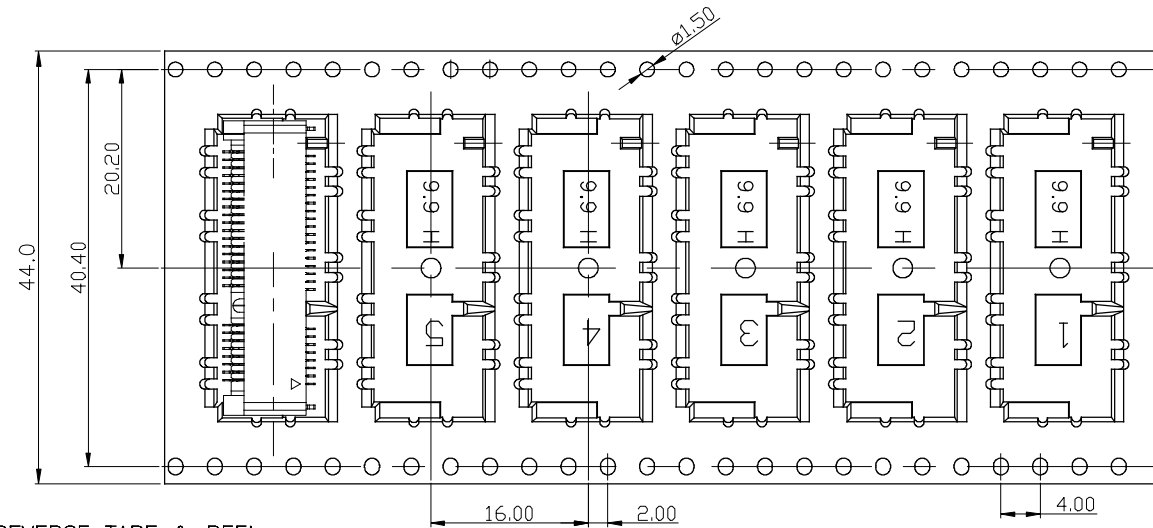
10.3KG	5.3KG	300	6	1800
GROSS WEIGHT	NET WEIGHT	PCS/ REEL	REEL/ BOX	PCS/ BOX

mat'l. code		surface		tolerance ASME Y14.5		projection		product family		
ltr	ecn no	dr	date	tolerances unless otherwise specified		MM		title		
A		TAI	2013-01-29	angles	0.1	X.X ± 0.30		0.80MM PITCH MINI PCI EXPRESS HIGH=9.9mm 52 PIN CONNECTOR		
B	ELX-T-14985	TAI	2013-06-17	0.2	0.1	X.XX ± 0.20				
				X*±4'	0.1	X.XXX ± 0.15				
		dr	KENNY TAI	2013-01-29	scale		dwg no		sheet 2 of 3	size
		enr	KENNY TAI	2013-01-29	FCI		10123920		A4	
		chr	KENNY TAI	2013-01-29			type		CUSTOMER	Drawing
		appd	PM ZHENG	2013-01-29						
sheet index	revision sheet	B	B	B						
		1	2	3						

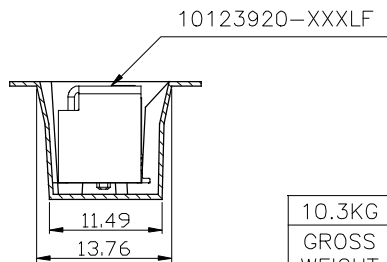


NOTES:

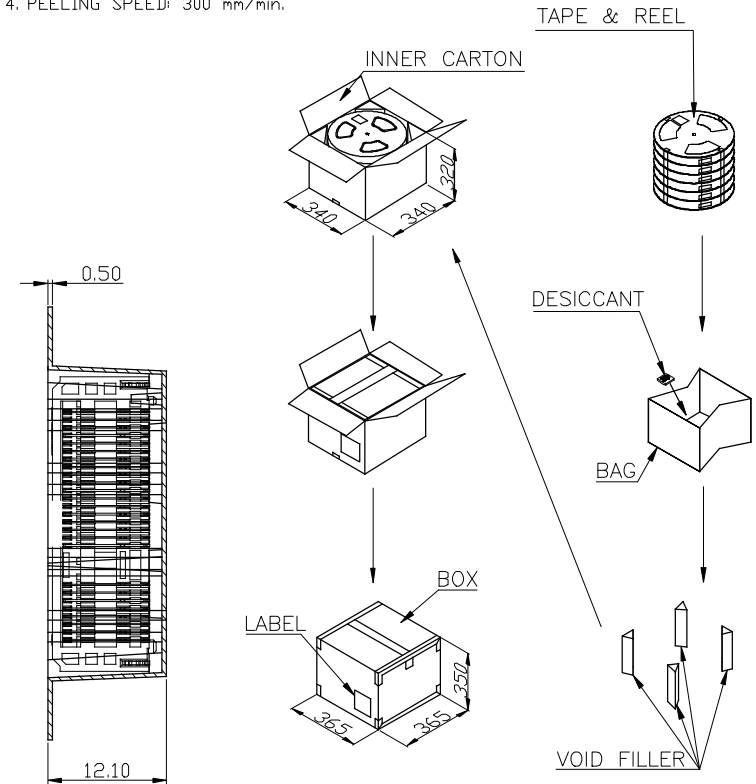
1. MATERIAL:
 BOX: FIBREBOARD, CORRUGATED, DOUBLE WALL.
 COVER TAPE: PET, 120C° HEAT-RESISTANT TEMPERATURE, TRANSPARENT COLOR.
 CARRIER TAPE: POLYSTYRENES, 120C° HEAT-RESISTANT TEMPERATURE, TRANSPARENT COLOR.
 REEL: HIPS, 70C° HEAT-RESISTANT TEMPERATURE, BLUE COLOR.
 BAG: POLYETHYLENES, 100C° HEAT-RESISTANT TEMPERATURE, TRANSPARENT COLOR.
2. EACH BAG SHALL BE INCLUDED DESICCANT.
3. PEELING STRENGTH: 0.1 ~ 1.3 N (<10 ~ 130 GRAMS).
4. PEELING SPEED: 300 mm/min.



REVERSE TAPE & REEL
(FOR -XX1LF)



10.3KG	5.3KG	300	6	1800
GROSS WEIGHT	NET WEIGHT	PCS/ REEL	REEL/ BOX	PCS/ BOX



mat'l. code		surface		tolerance <input checked="" type="checkbox"/> ASME Y14.5		projection		product family		
ltr	ecn no	dr	date	tolerances unless otherwise specified		MM		title		
A		TAI	2013-01-29	angles	0.1	X.X ± 0.30		0.80MM PITCH MINI PCI EXPRESS HIGH=9.9mm 52 PIN CONNECTOR		
B	ELX-T-14985	TAI	2013-06-17	0.2	0.15	X.XX ± 0.20				
				X*±4°		X.XXX ± 0.15		scale		
		dr	KENNY TAI		2013-01-29			dwg no		
		enr	KENNY TAI		2013-01-29			sheet 3 of 3		size
		chr	KENNY TAI		2013-01-29			10123920		A4
		appd	PM ZHENG		2013-01-29			type		
sheet index	revision sheet	B	B	B				CUSTOMER Drawing		
		1	2	3						