



Chipsmall Limited consists of a professional team with an average of over 10 year of expertise in the distribution of electronic components. Based in Hongkong, we have already established firm and mutual-benefit business relationships with customers from,Europe,America and south Asia,supplying obsolete and hard-to-find components to meet their specific needs.

With the principle of "Quality Parts,Customers Priority,Honest Operation,and Considerate Service",our business mainly focus on the distribution of electronic components. Line cards we deal with include Microchip,ALPS,ROHM,Xilinx,Pulse,ON,Everlight and Freescale. Main products comprise IC,Modules,Potentiometer,IC Socket,Relay,Connector.Our parts cover such applications as commercial,industrial, and automotives areas.

We are looking forward to setting up business relationship with you and hope to provide you with the best service and solution. Let us make a better world for our industry!



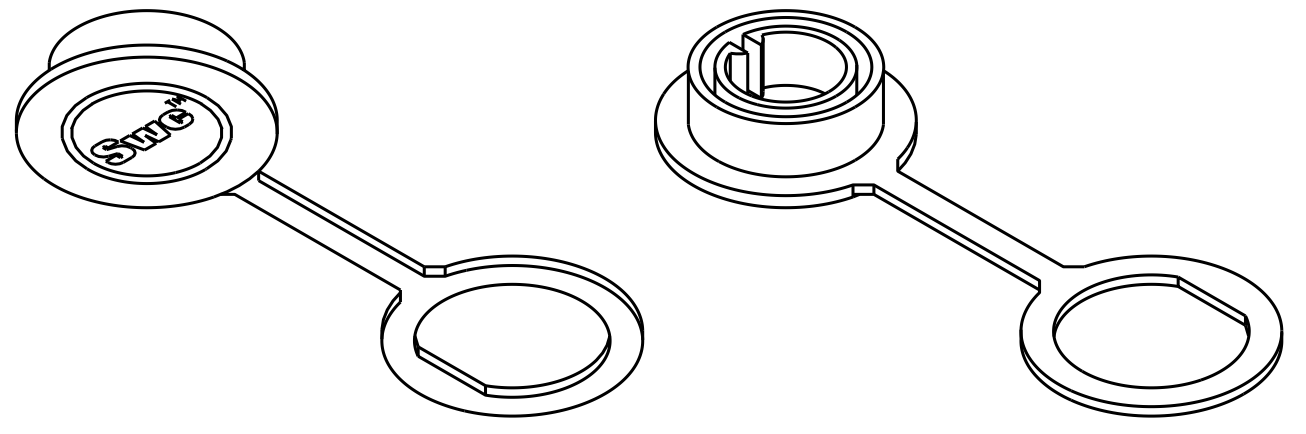
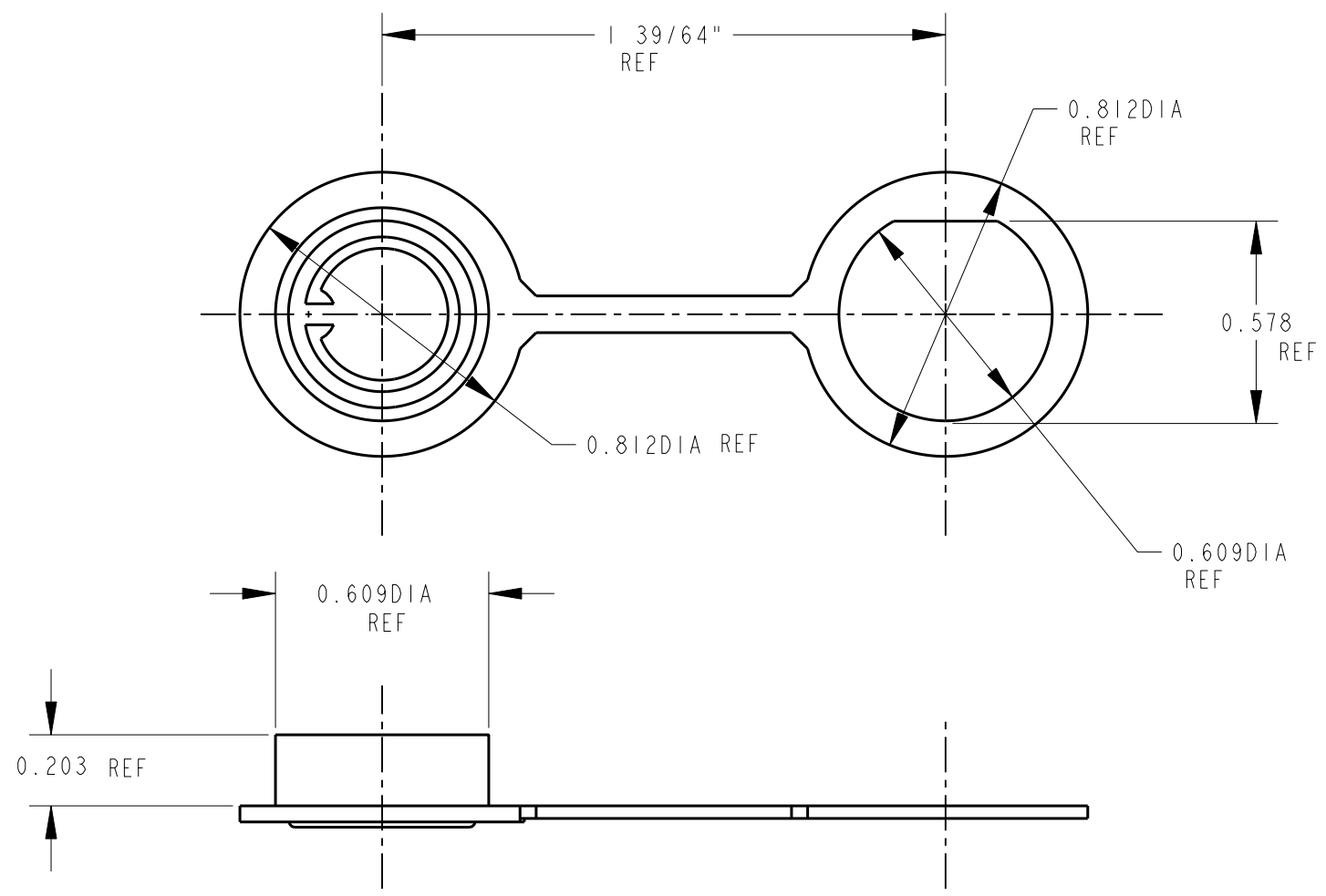
Contact us

Tel: +86-755-8981 8866 Fax: +86-755-8427 6832

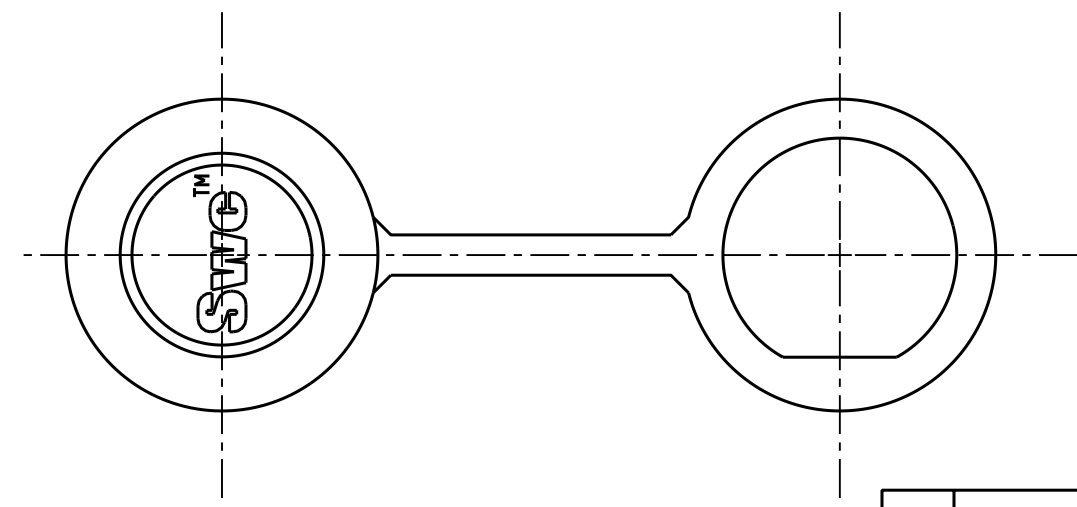
Email & Skype: info@chipsmall.com Web: www.chipsmall.com

Address: A1208, Overseas Decoration Building, #122 Zhenhua RD., Futian, Shenzhen, China





NOTE:
1. MATERIAL: THERMOPLASTIC RUBBER.



CUSTOMER DRAWING

CAD/CAM DWG. NO.
s.en3cap_cd
SHEET 1 OF 1

| | | | | | | | | | | |
|--|--|--|--|--|---|-------|--------------|--------------------|---------------------|------------|
| ★ STAR SYMBOL DENOTES CRITICAL DIMENSION, SEE S/C ENGINEERING STANDARD ES-0001 | | | | | THIS DRAWING DESCRIBES A DESIGN CONSIDERED PROPRIETARY IN NATURE, DEVELOPED AND MANUFACTURED BY SWITCHCRAFT INC. AND IS RELEASED ON A CONFIDENTIAL BASIS FOR IDENTIFICATION PURPOSE ONLY. | | | | | |
| UNLESS OTHERWISE SPECIFIED | | | | | SIZE | WIDTH | MULT | LBS./M | TEMPER | |
| 1. ALL DIMENSIONS IN INCHES TWO PLACE DECIMAL ±.01 THREE PLACE DECIMAL ±.005 FRACTIONAL DIMENSIONS ±1/64 ANGLES ±1/2° ALL DIA'S CONCENTRIC WITHIN .005 T.I.R. | | | | | FINISH | | | MATERIAL | | |
| 2. REMOVE ALL BURRS | | | | | SPEC. NO. | | | SPEC. NO. | | |
| 3. MAKE NO DIMENSIONAL ALLOWANCES FOR APPLIED FINISHES, I.E., PLATING, PAINTING, ETC. | | | | | FIRST USED ON | | | SCALE 1 = 0.5 | | |
| 4. HOLES ON THE SAME CENTERLINE MUST BE ALIGNED WITHIN ±.002 | | | | | DATE DRAWN | BY | CHK'D | APP'D | Switchcraft® | |
| REVISIONS | | | | | 2-2-95 | SG | SG 2-6-95 | RB 2-6-95 | | |
| DO NOT SCALE DRAWING | | | | | NAME WEATHERTIGHT CAP | | | PART NO. EN3CAP | | ISSUE B |

