



Chipsmall Limited consists of a professional team with an average of over 10 year of expertise in the distribution of electronic components. Based in Hongkong, we have already established firm and mutual-benefit business relationships with customers from,Europe,America and south Asia,supplying obsolete and hard-to-find components to meet their specific needs.

With the principle of “Quality Parts,Customers Priority,Honest Operation,and Considerate Service”,our business mainly focus on the distribution of electronic components. Line cards we deal with include Microchip,ALPS,ROHM,Xilinx,Pulse,ON,Everlight and Freescale. Main products comprise IC,Modules,Potentiometer,IC Socket,Relay,Connector.Our parts cover such applications as commercial,industrial, and automotives areas.

We are looking forward to setting up business relationship with you and hope to provide you with the best service and solution. Let us make a better world for our industry!



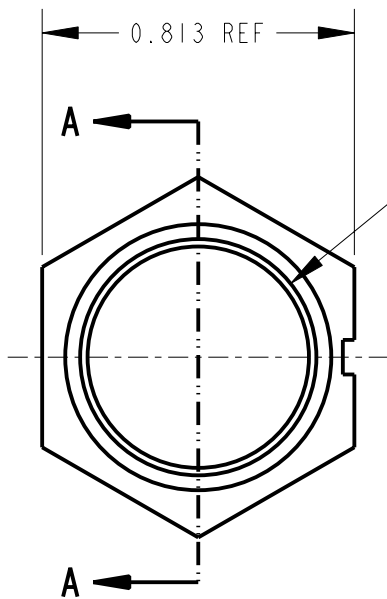
## Contact us

Tel: +86-755-8981 8866 Fax: +86-755-8427 6832

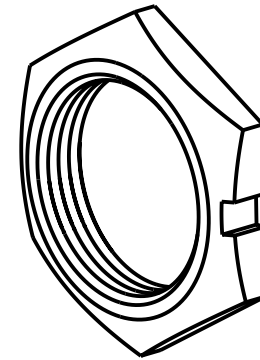
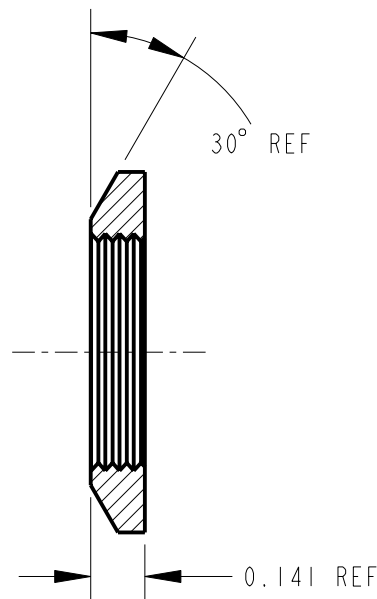
Email & Skype: info@chipsmall.com Web: www.chipsmall.com

Address: A1208, Overseas Decoration Building, #122 Zhenhua RD., Futian, Shenzhen, China





5/8"-27 UNS-2B THREAD.  
HEX NUT REF



SECTION A-A

PART NUMBER	COLOR
EN3NUT	BLACK
EN3NUT4L	YELLOW
EN3NUT23	BLUE
EN3NUT2W	RED
EN3NUT25	GREEN

NOTES:

- HEX NUT TO WITHSTAND 10-12 IN-LBS. TIGHTENING TORQUE.
- MATERIAL: THERMOPLASTIC

CUSTOMER DRAWING

					★ STAR SYMBOL DENOTES CRITICAL DIMENSION	THIS DRAWING DESCRIBES A DESIGN CONSIDERED PROPRIETARY IN NATURE, DEVELOPED AND MANUFACTURED BY SWITCHCRAFT INC. AND IS RELEASED ON A CONFIDENTIAL BASIS FOR IDENTIFICATION PURPOSES ONLY.						
					UNLESS OTHERWISE SPECIFIED	SIZE	WIDTH	MULT	LBS/M	TEMPER		
F	25078	8-16-05	JL	EB	1. ALL DIMENSIONS IN INCHES - TWO PLACE DECIMALS ±0.01 - THREE PLACE DECIMALS ±0.005 - ANGLES ±1° - ALL DIA. CONCENTRIC WITHIN 0.005 T.I.R.  2. FEATURES ON THE SAME CENTERLINE MUST BE ALIGNED WITHIN ±0.002  3. REMOVE ALL BURRS	FINISH			MATERIAL SEE NOTE 2			
E	24967	4-14-05	JL	TJK		SPEC No.			SPEC No.			
D	24661	3-4-04	JL	EB		FIRST USED ON		SCALE 2:1				
C	23595	2-2-01	JL	DK		DATE DRAWN	BY	CHKD	APVD			
B	21719	4-1-97	DA	EB	1-Apr-97	DA	EB 4-1-97	EB 4-1-97	SHEET   OF			
REV	ECO NUMBER	DATE	BY	APVD	DO NOT SCALE DRAWING					NAME	PART No.	REV
REVISIONS					HEX NUT					EN3NUT_SERIES		F