



Chipsmall Limited consists of a professional team with an average of over 10 year of expertise in the distribution of electronic components. Based in Hongkong, we have already established firm and mutual-benefit business relationships with customers from,Europe,America and south Asia,supplying obsolete and hard-to-find components to meet their specific needs.

With the principle of “Quality Parts,Customers Priority,Honest Operation,and Considerate Service”,our business mainly focus on the distribution of electronic components. Line cards we deal with include Microchip,ALPS,ROHM,Xilinx,Pulse,ON,Everlight and Freescale. Main products comprise IC,Modules,Potentiometer,IC Socket,Relay,Connector.Our parts cover such applications as commercial,industrial, and automotives areas.

We are looking forward to setting up business relationship with you and hope to provide you with the best service and solution. Let us make a better world for our industry!



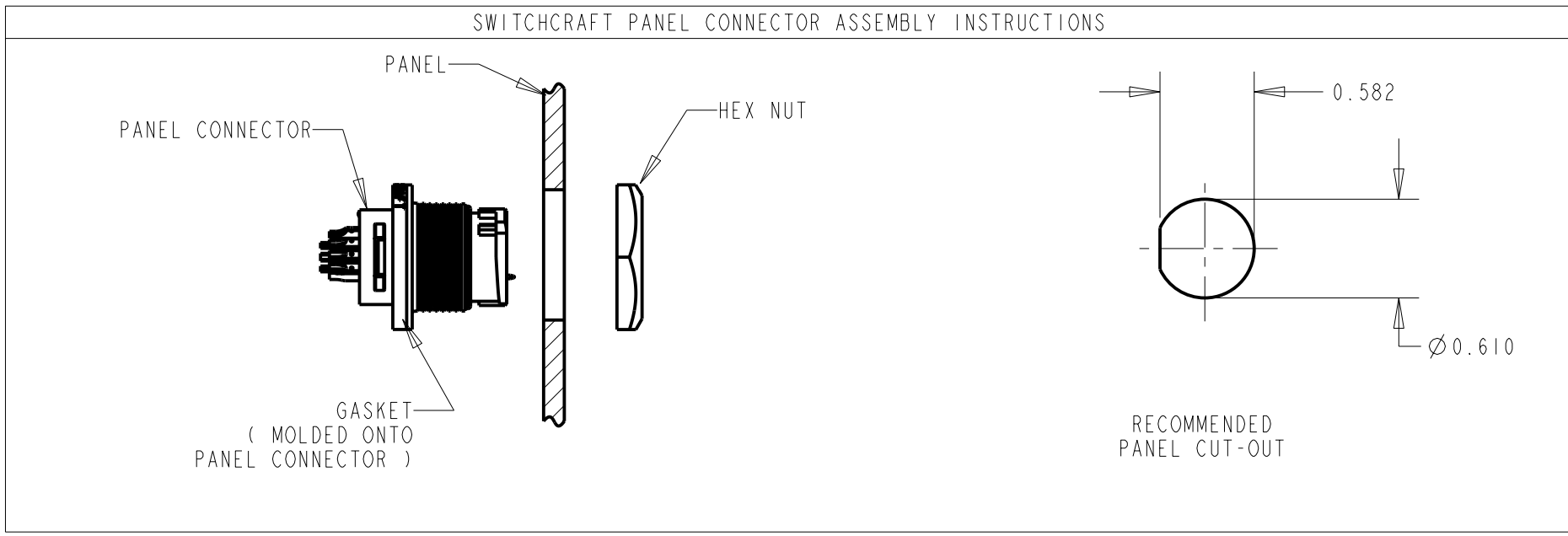
## Contact us

Tel: +86-755-8981 8866 Fax: +86-755-8427 6832

Email & Skype: info@chipsmall.com Web: www.chipsmall.com

Address: A1208, Overseas Decoration Building, #122 Zhenhua RD., Futian, Shenzhen, China





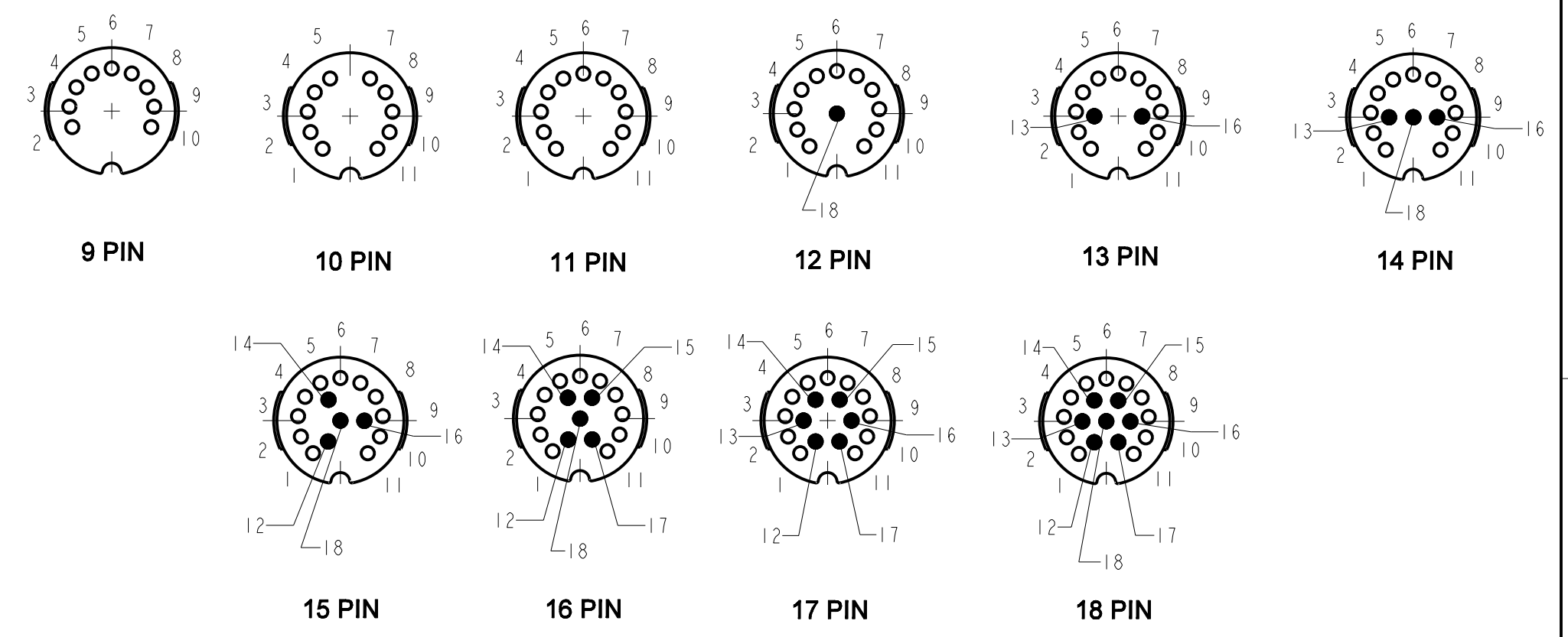
**SPECIFICATIONS**

**MECHANICAL:**  
 SHOCK: MIL-STD 202 METHOD 213B, COND. K.  
 VIBRATION: MIL-STD 202 METHOD 201A  
 LIFE: 1000 INSERTION/WITHDRAWAL CYCLES (MINIMUM)

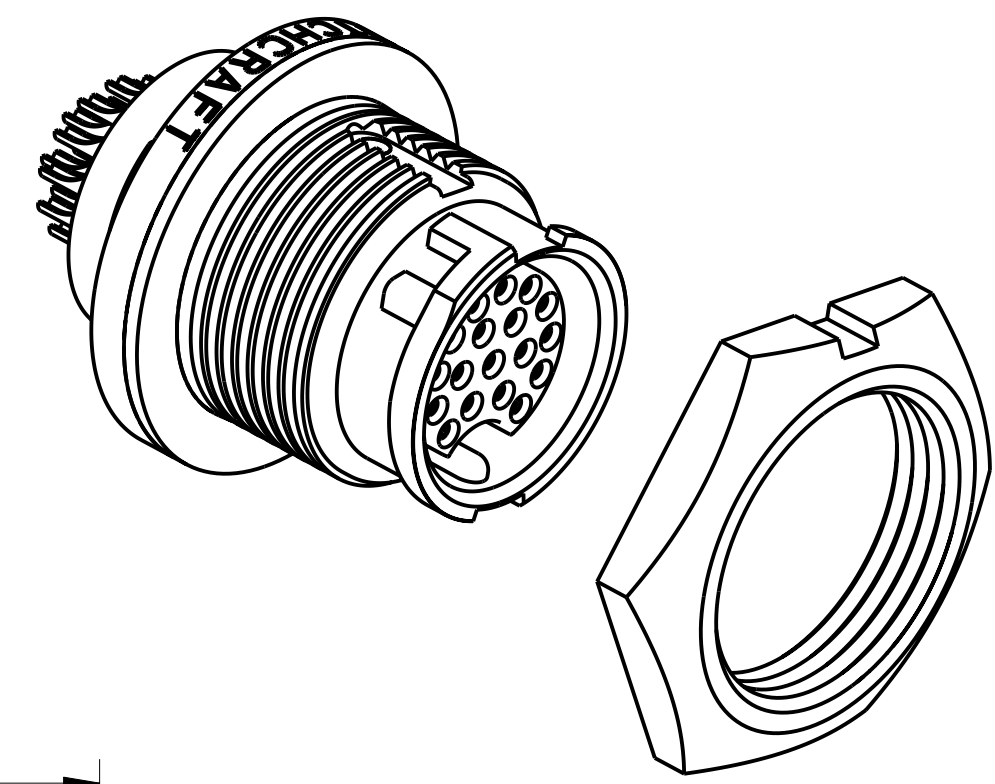
**ELECTRICAL**  
 DIELECTRIC WITHSTANDING VOLTAGE: 250 VAC  
 INSULATION RESISTANCE: 100 MEGOHMS (MIN) AT 77°F  
 CONTACT RESISTANCE: 10.0 MILLOHMS MAX.  
 CURRENT RATING: 2.0 AMPS

**ENVIRONMENTAL**  
 TEMPERATURE LIMITS: -40°C TO +65°C (NON-OPERATING)  
 MOISTURE RESISTANCE: MIL-STD 202 METHOD 106F  
 INSULATION RESISTANCE: MIL-STD 202 METHOD 302, COND. B  
 THERMAL SHOCK: MIL-STD 202 METHOD 107G  
 SALT SPRAY: MIL-STD 202 METHOD 101D, COND. B  
 WATER TIGHTNESS TEST: U.S. COAST GUARD CFR 46 PART 110.20

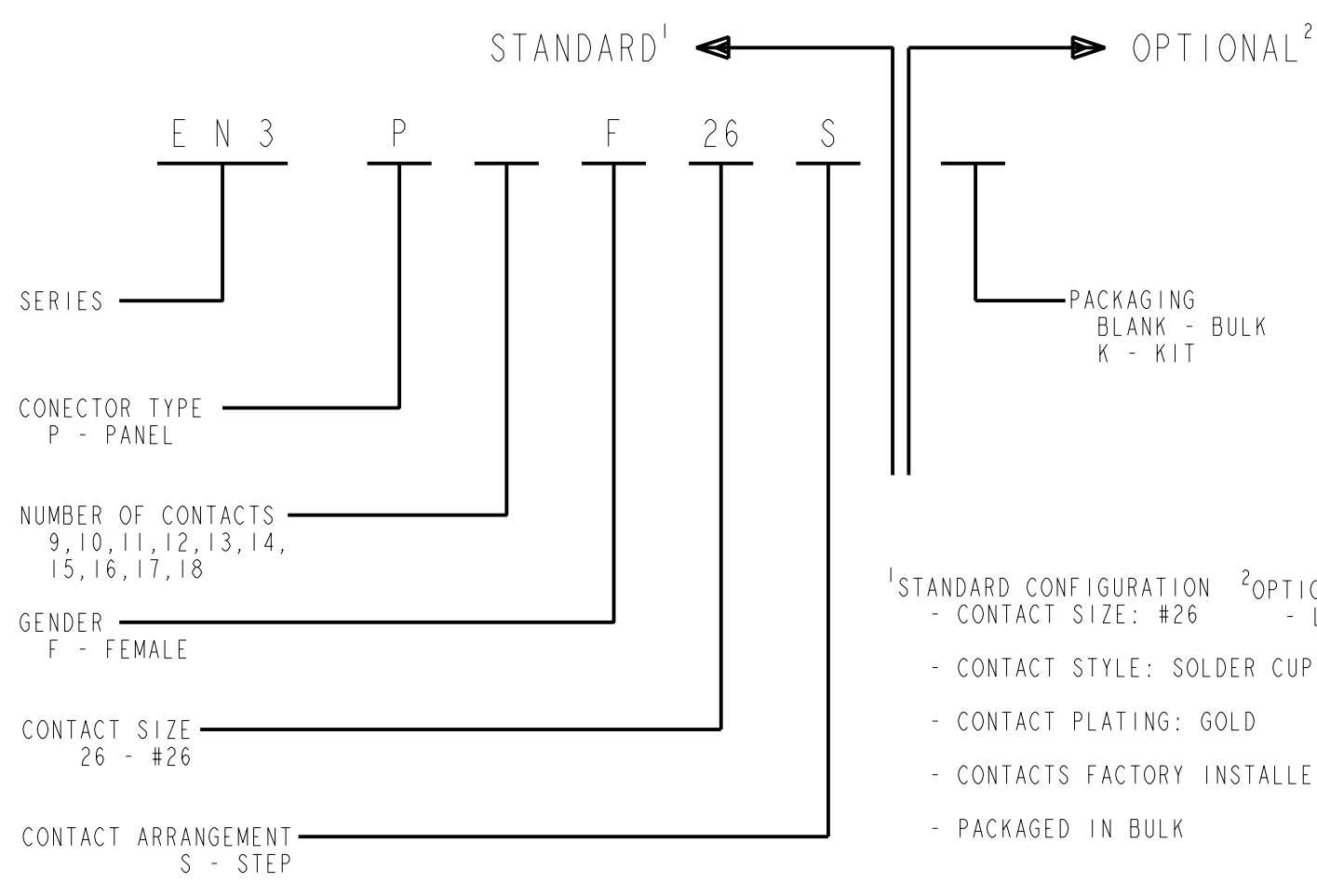
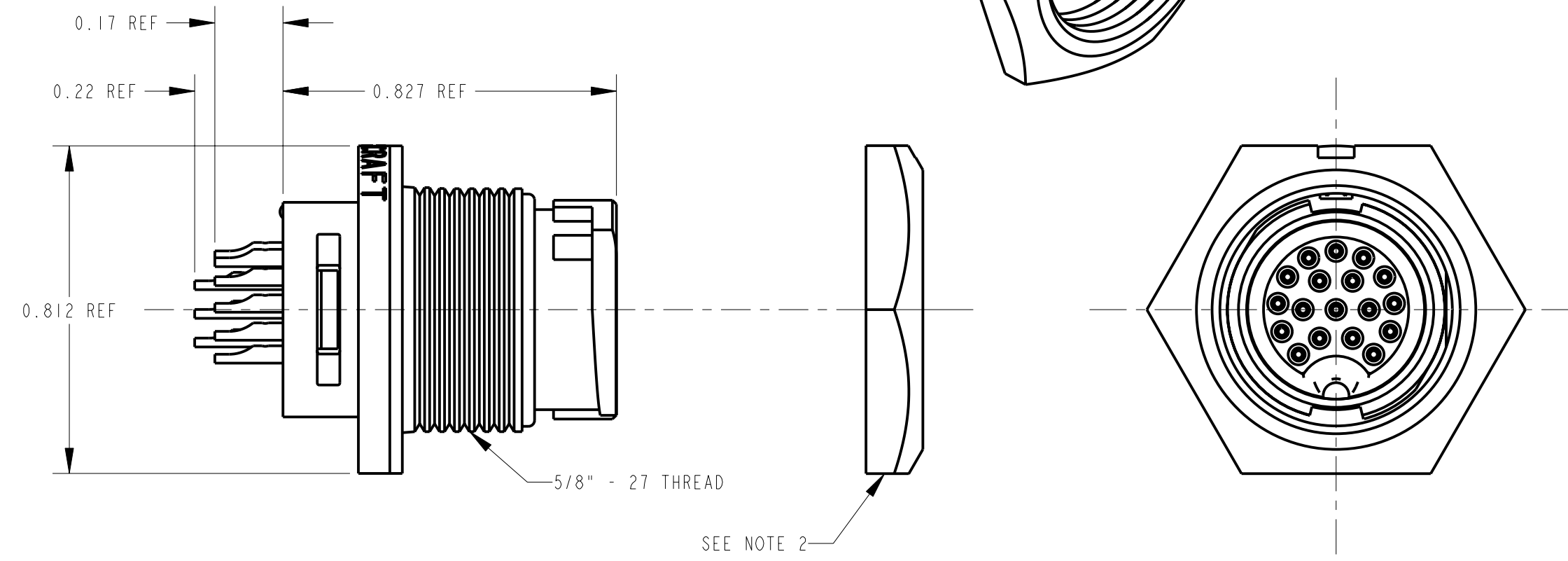
- NOTES:**
- HEX NUT TORQUE: 8 TO 10 INCH-LBS. OF TORQUE (MUST NOT EXCEED 10 INCH-LBS.)
  - HEX NUT SHIPPED UNASSEMBLED.



**CONTACT ARRANGEMENTS - VIEWED FROM REAR OF CONNECTOR (WIRING SIDE)**  
 HOLES USED DENOTED BY NUMBER REFERENCED IN 18 PIN LAYOUT



**MATERIALS:**  
 PANEL CONNECTOR SHELL, CONTACT LOCKING DISC: THERMOPLASTIC POLYMER GLASS FIBER, FLAME RETARDANT  
 CONNECTOR SHELL INTERIOR: THERMOPLASTIC RUBBER  
 CONTACTS: COPPER BASE ALLOY GOLD-PLATED OVER NICKEL UNDERPLATE  
 HEX NUT: THERMOPLASTIC



CUSTOMER DRAWING

★ STAR SYMBOL DENOTES CRITICAL DIMENSION				THIS DRAWING DESCRIBES A DESIGN CONSIDERED PROPRIETARY IN NATURE, DEVELOPED AND MANUFACTURED BY SWITCHCRAFT INC. AND IS RELEASED ON A CONFIDENTIAL BASIS FOR IDENTIFICATION PURPOSES ONLY.				
UNLESS OTHERWISE SPECIFIED				SIZE	WIDTH	MULT	LBS/M	TEMPER
1. ALL DIMENSIONS IN INCHES - TWO PLACE DECIMALS ±0.01 - THREE PLACE DECIMALS ±0.005 - ANGLES ±1° - ALL DIA. CONCENTRIC WITHIN 0.005 T.I.R.				FINISH SPEC No.		MATERIAL SPEC No.		
2. FEATURES ON THE SAME CENTERLINE MUST BE ALIGNED WITHIN ±0.002				FIRST USED ON		SCALE 3:1		<b>Switchcraft</b>
3. REMOVE ALL BURRS				DATE DRAWN	BY	CHKD	APVD	
DO NOT SCALE DRAWING				6-15-99	SG	6-15-99	AY	6-16-99
REVISIONS				NAME FEMALE PANEL CONNECTORS				PART No.
REV	ECO NUMBER	DATE	BY	APVD	26 GAUGE CONTACTS-STEP VERSION			
					EN3P_F26S			
					SHEET 1 OF 1			
					REV D			