



Chipsmall Limited consists of a professional team with an average of over 10 year of expertise in the distribution of electronic components. Based in Hongkong, we have already established firm and mutual-benefit business relationships with customers from,Europe,America and south Asia,supplying obsolete and hard-to-find components to meet their specific needs.

With the principle of “Quality Parts,Customers Priority,Honest Operation,and Considerate Service”,our business mainly focus on the distribution of electronic components. Line cards we deal with include Microchip,ALPS,ROHM,Xilinx,Pulse,ON,Everlight and Freescale. Main products comprise IC,Modules,Potentiometer,IC Socket,Relay,Connector.Our parts cover such applications as commercial,industrial, and automotives areas.

We are looking forward to setting up business relationship with you and hope to provide you with the best service and solution. Let us make a better world for our industry!



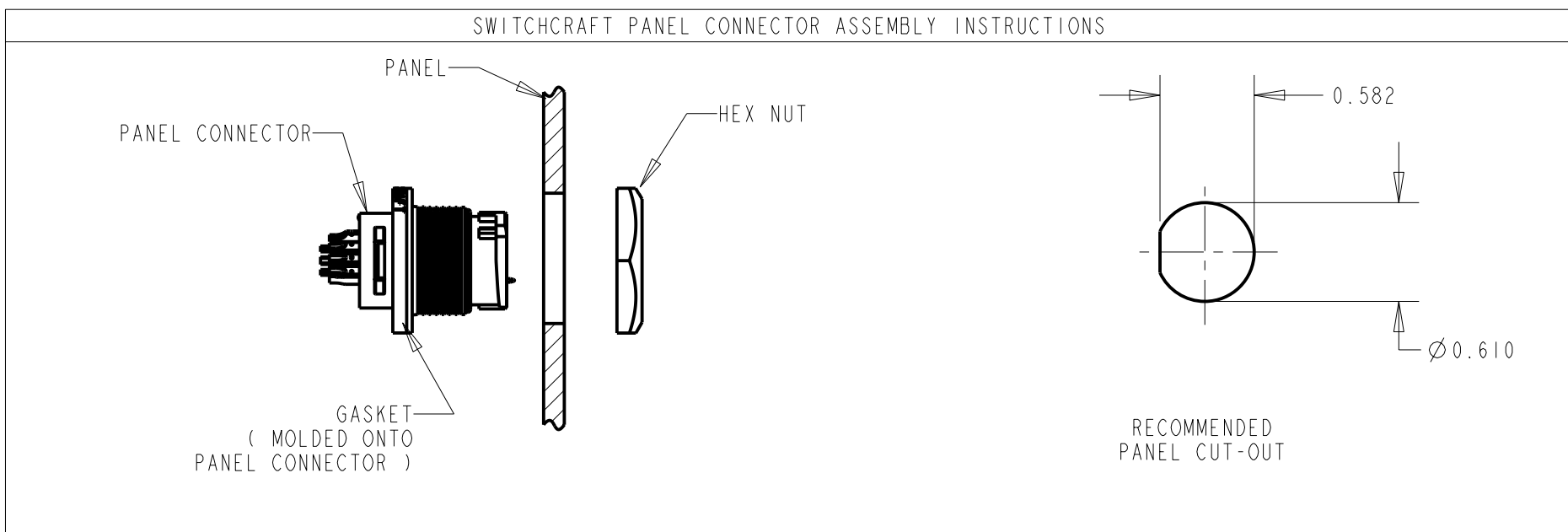
Contact us

Tel: +86-755-8981 8866 Fax: +86-755-8427 6832

Email & Skype: info@chipsmall.com Web: www.chipsmall.com

Address: A1208, Overseas Decoration Building, #122 Zhenhua RD., Futian, Shenzhen, China





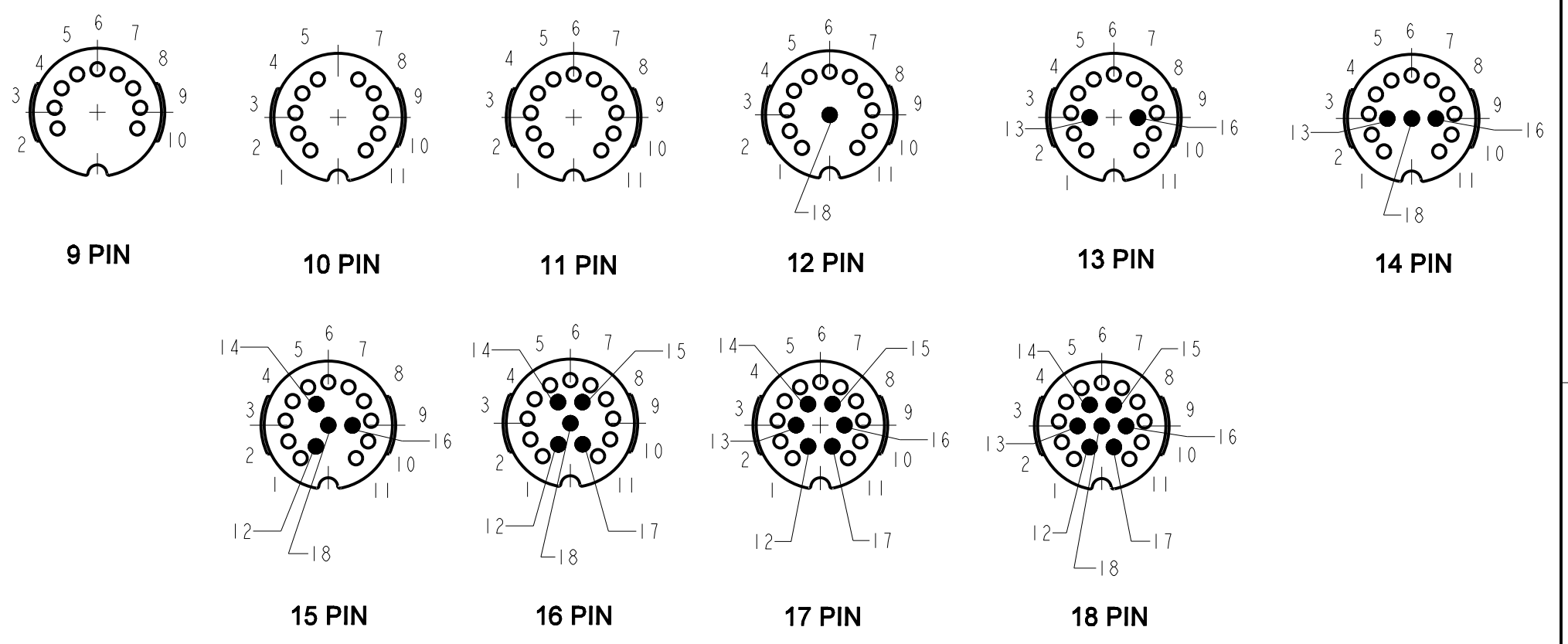
SPECIFICATIONS

MECHANICAL:
 SHOCK: MIL-STD 202 METHOD 213B, COND. K.
 VIBRATION: MIL-STD 202 METHOD 201A
 LIFE: 1000 INSERTION/WITHDRAWAL CYCLES (MINIMUM)

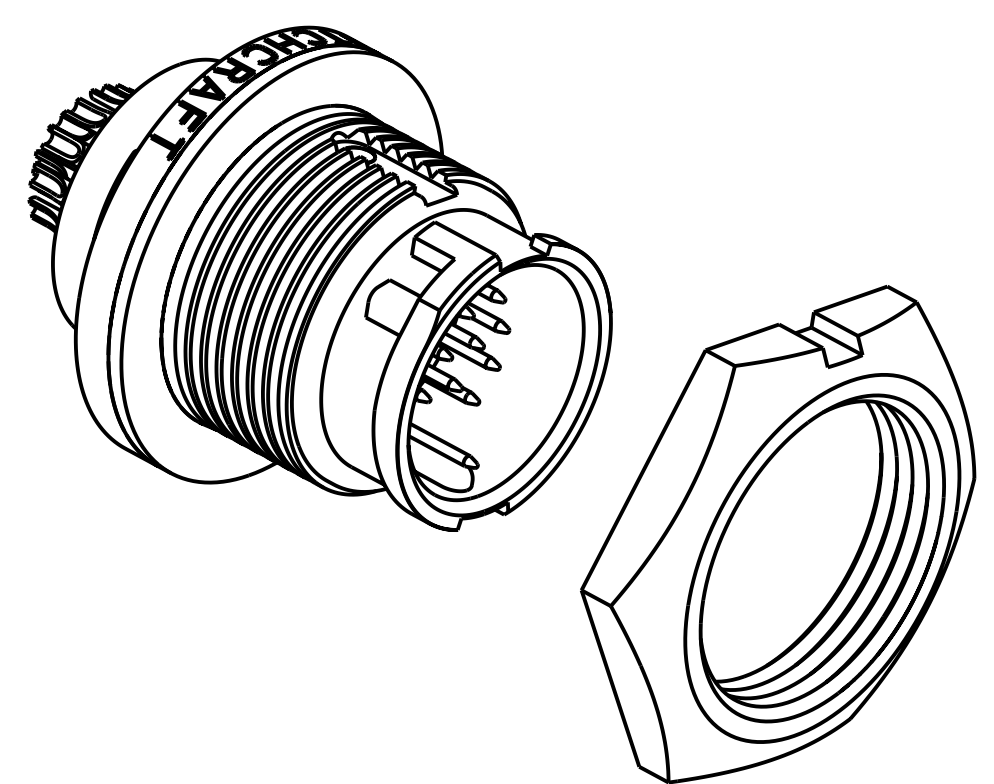
ELECTRICAL
 DIELECTRIC WITHSTANDING VOLTAGE: 250 VAC
 INSULATION RESISTANCE: 100 MEGOHMS (MIN) AT 77°F
 CONTACT RESISTANCE: 10.0 MILLOHMS MAX.
 CURRENT RATING: 2.0 AMPS

ENVIRONMENTAL
 TEMPERATURE LIMITS: -40°C TO +65°C (NON-OPERATING)
 MOISTURE RESISTANCE: MIL-STD 202 METHOD 106F
 INSULATION RESISTANCE: MIL-STD 202 METHOD 302, COND. B
 THERMAL SHOCK: MIL-STD 202 METHOD 107G
 SALT SPRAY: MIL-STD 202 METHOD 101D, COND. B
 WATER TIGHTNESS TEST: U.S. COAST GUARD CFR 46 PART 110.20

- NOTES:**
- HEX NUT TORQUE:
8 TO 10 INCH-LBS. OF TORQUE
(MUST NOT EXCEED 10 INCH-LBS.)
 - HEX NUT SHIPPED UNASSEMBLED.



CONTACT ARRANGEMENTS - VIEWED FROM REAR OF CONNECTOR (WIRING SIDE)
 HOLES USED DENOTED BY NUMBER REFERENCED IN 18 PIN LAYOUT

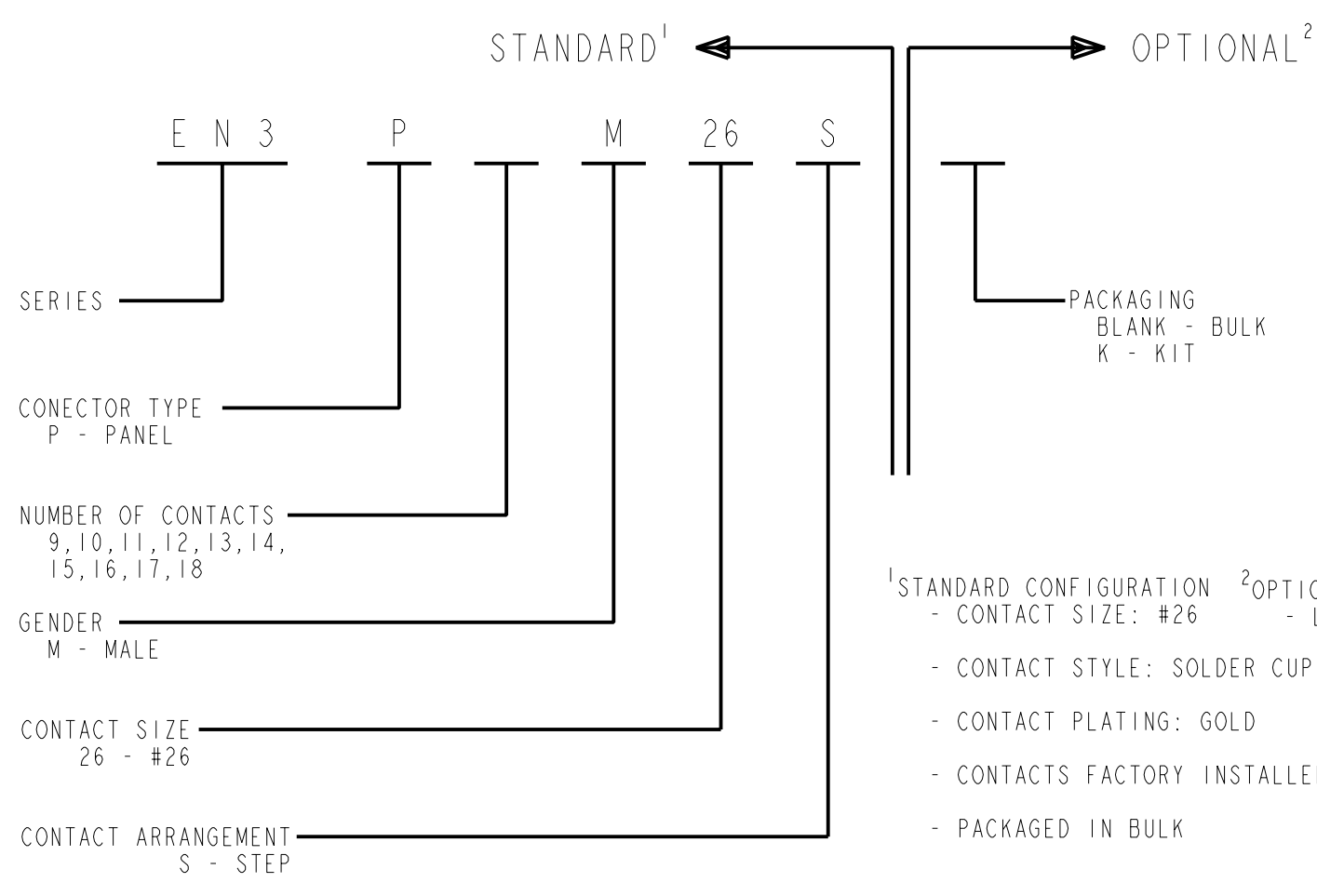
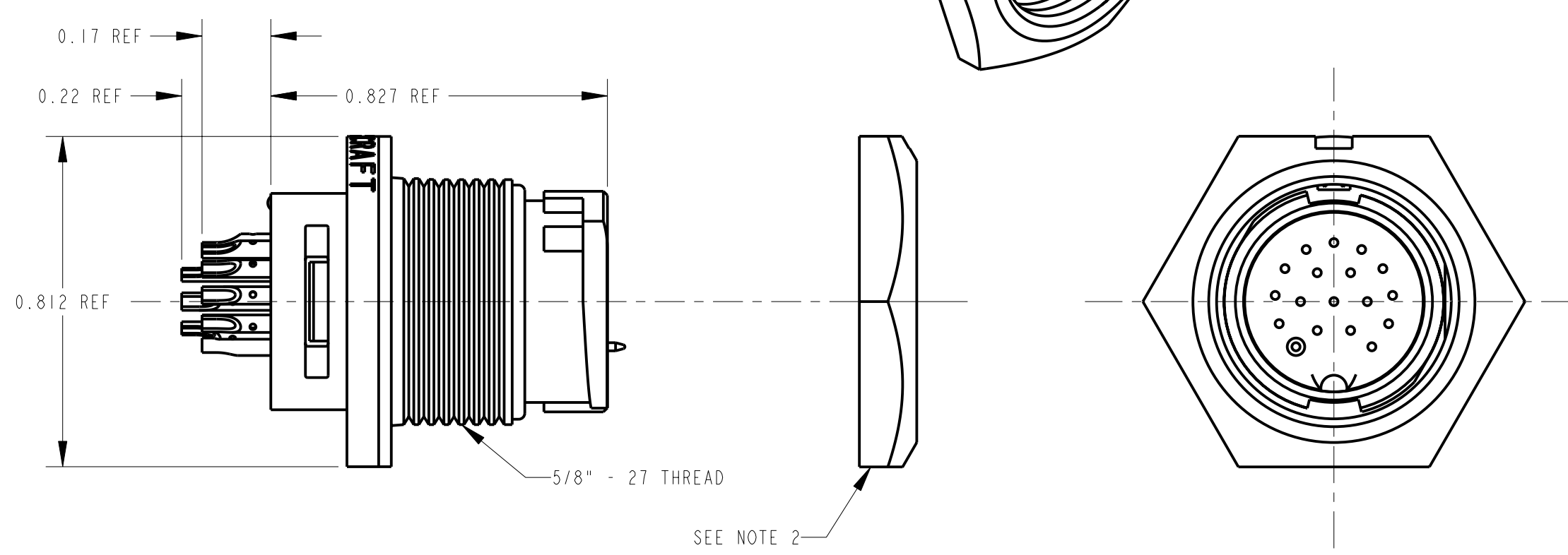


MATERIALS:
 PANEL CONNECTOR SHELL, CONTACT LOCKING DISC:
THERMOPLASTIC POLYMER GLASS FIBER, FLAME RETARDANT

CONNECTOR SHELL INTERIOR:
THERMOPLASTIC RUBBER

CONTACTS: COPPER BASE ALLOY GOLD-PLATED
OVER NICKEL UNDERPLATE

HEX NUT: THERMOPLASTIC



¹STANDARD CONFIGURATION ²OPTIONAL CONFIGURATION
 - CONTACT SIZE: #26 - LEAVE BLANK FOR STANDARD CONFIGURATION

- CONTACT STYLE: SOLDER CUP

- CONTACT PLATING: GOLD

- CONTACTS FACTORY INSTALLED

- PACKAGED IN BULK

★ STAR SYMBOL DENOTES CRITICAL DIMENSION				THIS DRAWING DESCRIBES A DESIGN CONSIDERED PROPRIETARY IN NATURE, DEVELOPED AND MANUFACTURED BY SWITCHCRAFT INC. AND IS RELEASED ON A CONFIDENTIAL BASIS FOR IDENTIFICATION PURPOSES ONLY.							
UNLESS OTHERWISE SPECIFIED		SIZE		WIDTH		MULT		LBS/M		TEMPER	
1. ALL DIMENSIONS IN INCHES - TWO PLACE DECIMALS ±0.01 - THREE PLACE DECIMALS ±0.005 - ANGLES ±1° - ALL DIA. CONCENTRIC WITHIN 0.005 T.I.R.		FINISH		SPEC No.		MATERIAL		SPEC No.		TEMPER	
2. FEATURES ON THE SAME CENTERLINE MUST BE ALIGNED WITHIN ±0.002		FIRST USED ON		SCALE		DATE DRAWN		BY		CHKD	
3. REMOVE ALL BURRS		6-15-99		3:1		6-15-99		SG		APVD	
DO NOT SCALE DRAWING		NAME		MALE PANEL CONNECTORS		PART No.		EN3P_M26S		REV	
REVISIONS		REV		ECO NUMBER		DATE		BY		APVD	
D 24661 3-8-04 JL EB		A		23387		7-31-00		JL		BP	
C 24625 2-6-04 JL TJK		B		23595		2-6-04		JL		TJK	
A 23595 2-6-04 JL TJK		A		RELEASE TO PROD.		7-31-00		JL		BP	
REV		ECO NUMBER		DATE		BY		APVD		REV	

CUSTOMER DRAWING

