



Chipsmall Limited consists of a professional team with an average of over 10 year of expertise in the distribution of electronic components. Based in Hongkong, we have already established firm and mutual-benefit business relationships with customers from,Europe,America and south Asia,supplying obsolete and hard-to-find components to meet their specific needs.

With the principle of “Quality Parts,Customers Priority,Honest Operation,and Considerate Service”,our business mainly focus on the distribution of electronic components. Line cards we deal with include Microchip,ALPS,ROHM,Xilinx,Pulse,ON,Everlight and Freescale. Main products comprise IC,Modules,Potentiometer,IC Socket,Relay,Connector.Our parts cover such applications as commercial,industrial, and automotives areas.

We are looking forward to setting up business relationship with you and hope to provide you with the best service and solution. Let us make a better world for our industry!



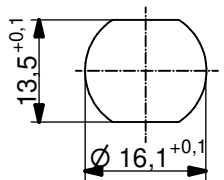
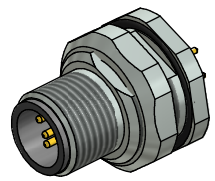
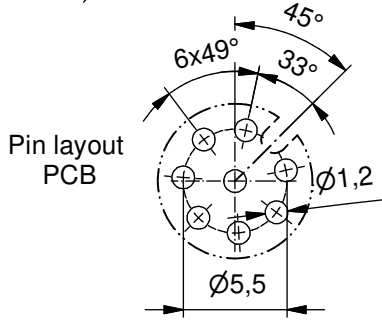
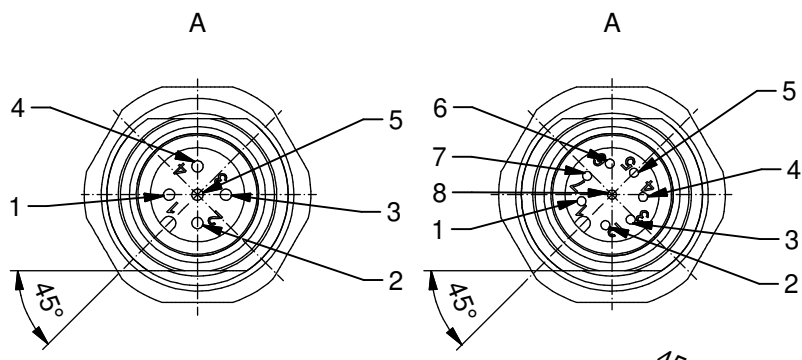
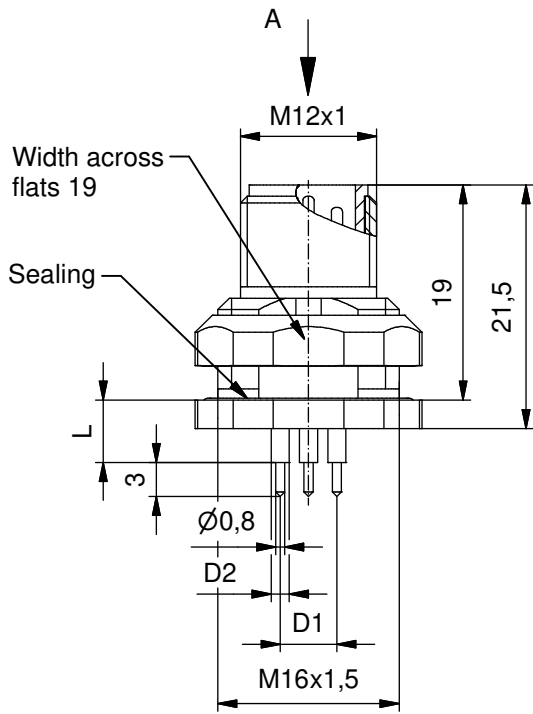
## Contact us

Tel: +86-755-8981 8866 Fax: +86-755-8427 6832

Email & Skype: info@chipsmall.com Web: www.chipsmall.com

Address: A1208, Overseas Decoration Building, #122 Zhenhua RD., Futian, Shenzhen, China





Minimum wall thickness 1,5mm,  
alternativ panel cut-out d=16,1

**Technical specification:**

Rated voltage: IEC 61076-2-101	4pos 250 V	5pos 60 V	8pos 30 V
Current rating: IEC 61076-2-101	4/5pos 4 A at 40°C	8pos 2 A at 40°C	
Insulation resistance: IEC 60512	>=100 MΩ		
Pollution degree: IEC 60664-1	3/2		
Degree of protection: IEC 60529	IP 67, in mated condition		
Temperature range:	-40°C ... +85°C		
Mating cycles: IEC 60512-9a	>=100		

**Materials:**

Contact:	CuZn
Contact plating:	Nickel, gold plated
Contact carrier:	PBT GF, UL 94
Sealing chassis:	NBR
Counternut:	CuZn, nickel plated
Socket housing:	CuZn, nickel plated
Grouting:	Polyurethane-resin, UL 94

**Installation specification:**

Recommended torque:	1-1,2 Nm
Conec installation tool:	Torque wrench: 36-000200 Insert across flats 19: 36-000250

Part no:	Description:	Pos	Length L:	D1	D2
43-01032	SAL - 12 - FSH4 - P5,5	4	5,5mm	Ø5,0	Ø1,6
43-01033	SAL - 12 - FSH5 - P5,5	5			
43-01034	SAL - 12 - FSH8 - P5,5	8	12mm	Ø5,5	Ø1,4
43-01035	SAL - 12 - FSH4 - P12	4			
43-01036	SAL - 12 - FSH5 - P12	5			
43-01037	SAL - 12 - FSH8 - P12	8		Ø5,5	Ø1,4

DO NOT ALTER CAD DRAWING BY HAND Directive 2002/95/EC RoHS compliant	Index: c 23.11.12 MG Ä4555 Data sheet revised, technical specification changed, materials corrected	dim. in mm	<b>title:</b> Male socket M12x1 with dip solder, backmounting	
		date      name		
		drawn 01.03.07      Fromm	<b>dwg no:</b> <div style="font-size: 18px; font-weight: bold; text-align: center;">43K1A268</div>	
		appd. 01.03.07      Mankopf		
	general tolerance:    0      ± 0,50mm 0,0     ± 0,25mm 0,00   ± 0,10mm			<b>part no:</b> see table
THIS DRAWING MAY NOT BE COPIED OR REPRODUCED IN ANY WAY, AND MAY NOT BE PASSED ON TO A THIRD PARTY WITHOUT WRITTEN PERMISSION. OWNERSHIP AND COPYRIGHT OF CONEC GmbH				