



Chipsmall Limited consists of a professional team with an average of over 10 year of expertise in the distribution of electronic components. Based in Hongkong, we have already established firm and mutual-benefit business relationships with customers from,Europe,America and south Asia,supplying obsolete and hard-to-find components to meet their specific needs.

With the principle of “Quality Parts,Customers Priority,Honest Operation,and Considerate Service”,our business mainly focus on the distribution of electronic components. Line cards we deal with include Microchip,ALPS,ROHM,Xilinx,Pulse,ON,Everlight and Freescale. Main products comprise IC,Modules,Potentiometer,IC Socket,Relay,Connector.Our parts cover such applications as commercial,industrial, and automotives areas.

We are looking forward to setting up business relationship with you and hope to provide you with the best service and solution. Let us make a better world for our industry!



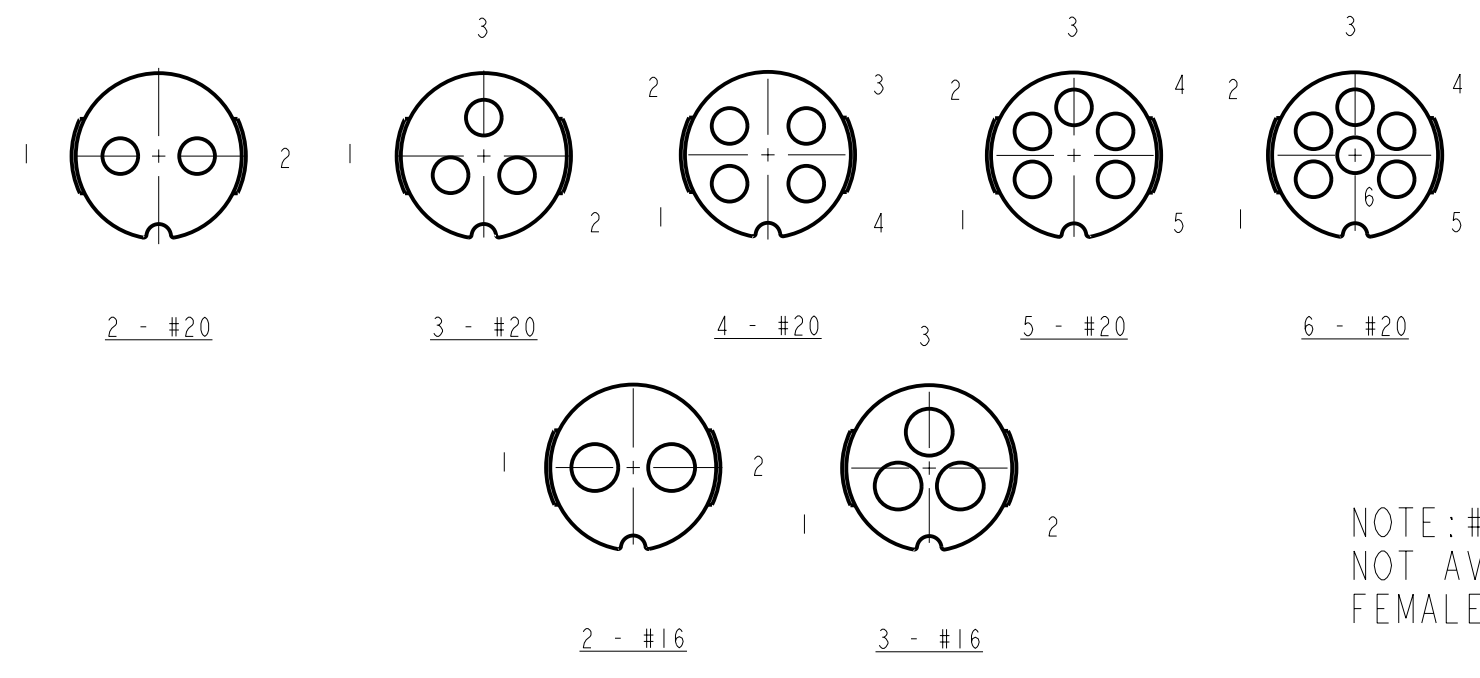
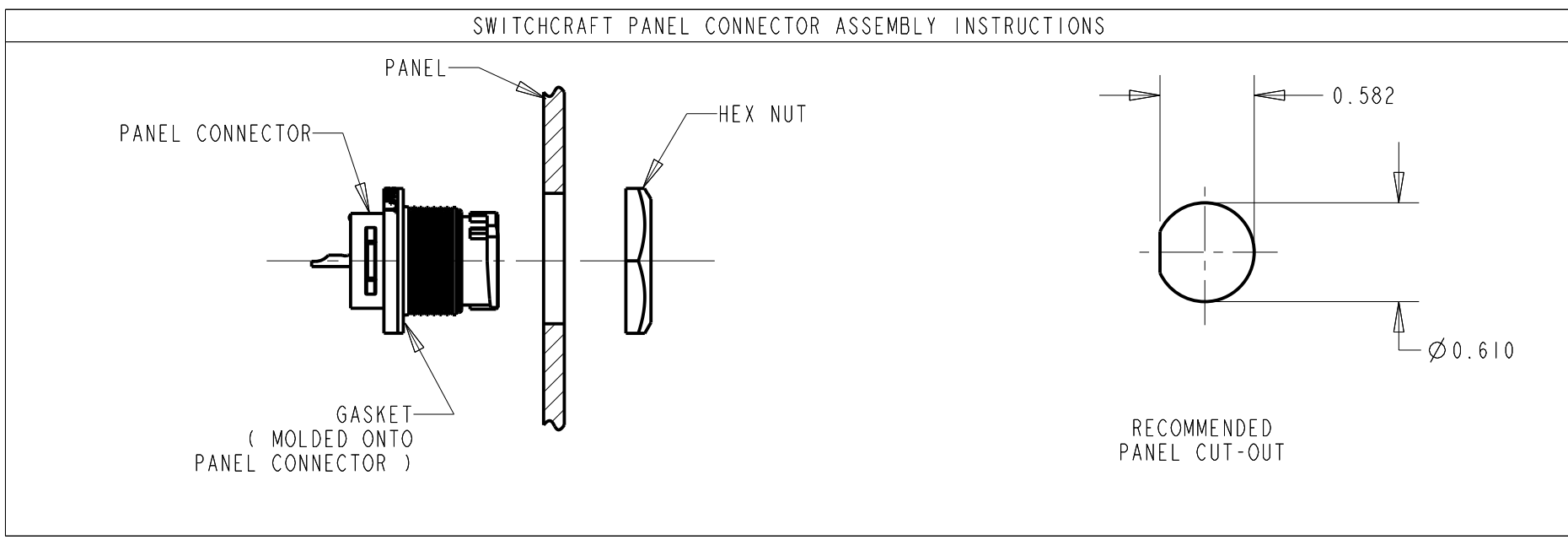
Contact us

Tel: +86-755-8981 8866 Fax: +86-755-8427 6832

Email & Skype: info@chipsmall.com Web: www.chipsmall.com

Address: A1208, Overseas Decoration Building, #122 Zhenhua RD., Futian, Shenzhen, China





NOTE: #7 AND #8 PIN NOT AVAILABLE IN FEMALE PANEL CONNECTORS

SPECIFICATIONS

MECHANICAL:
 SHOCK: MIL-STD 202 METHOD 213B, COND. K.
 VIBRATION: MIL-STD 202 METHOD 201
 LIFE: 300 INSERTION/WITHDRAWAL CYCLES (MINIMUM)

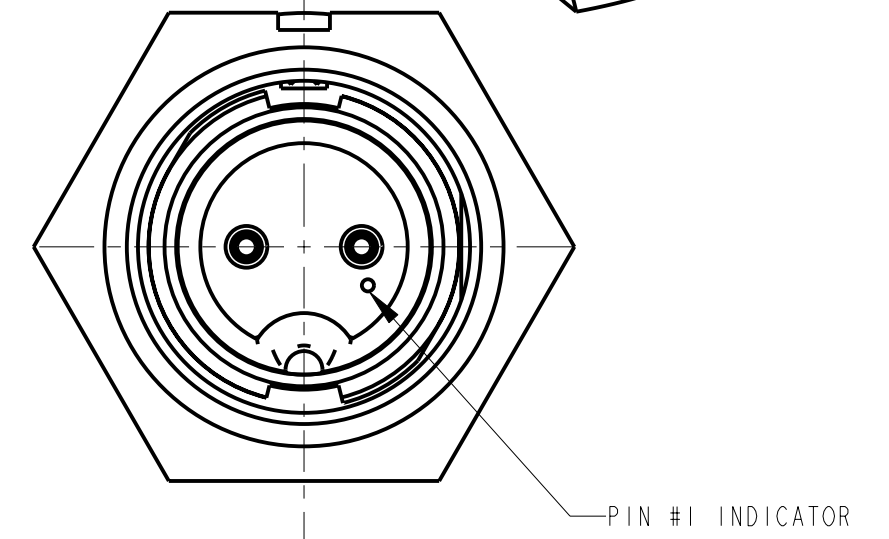
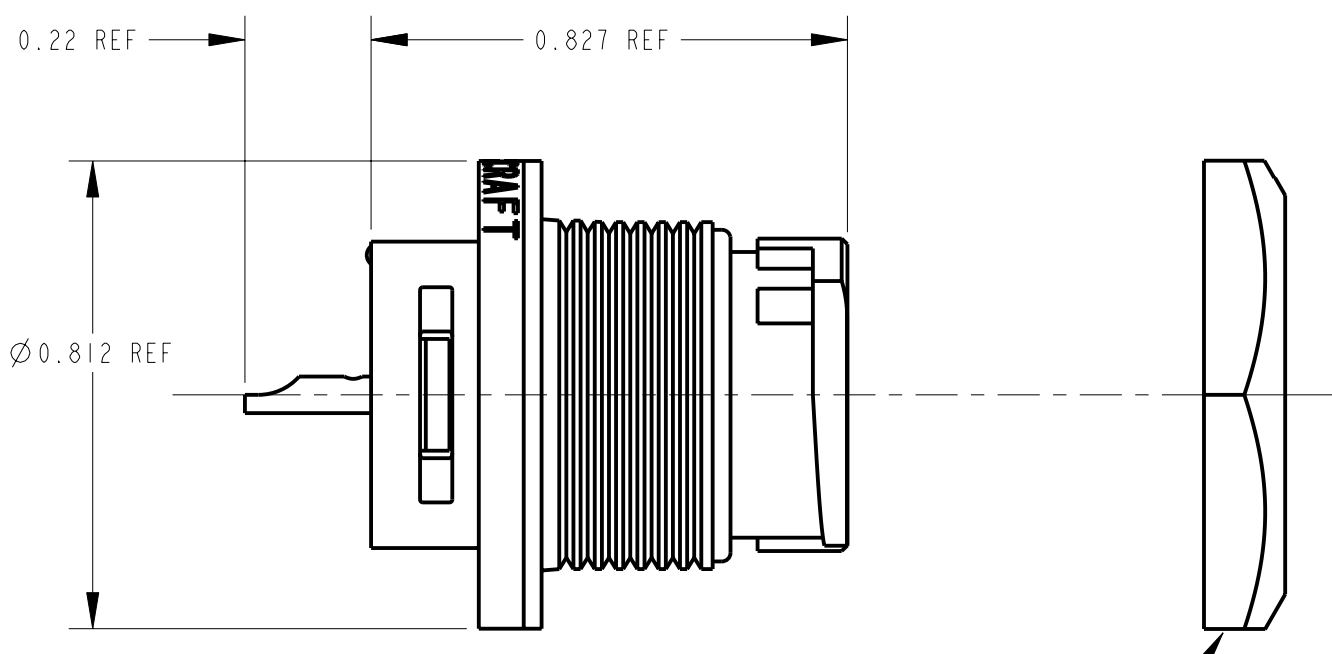
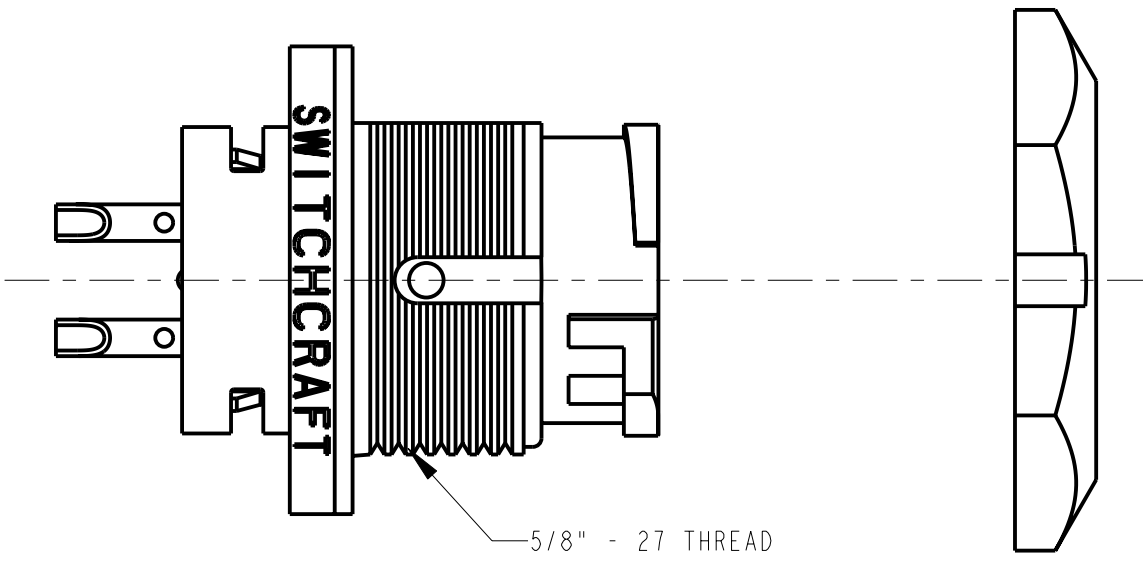
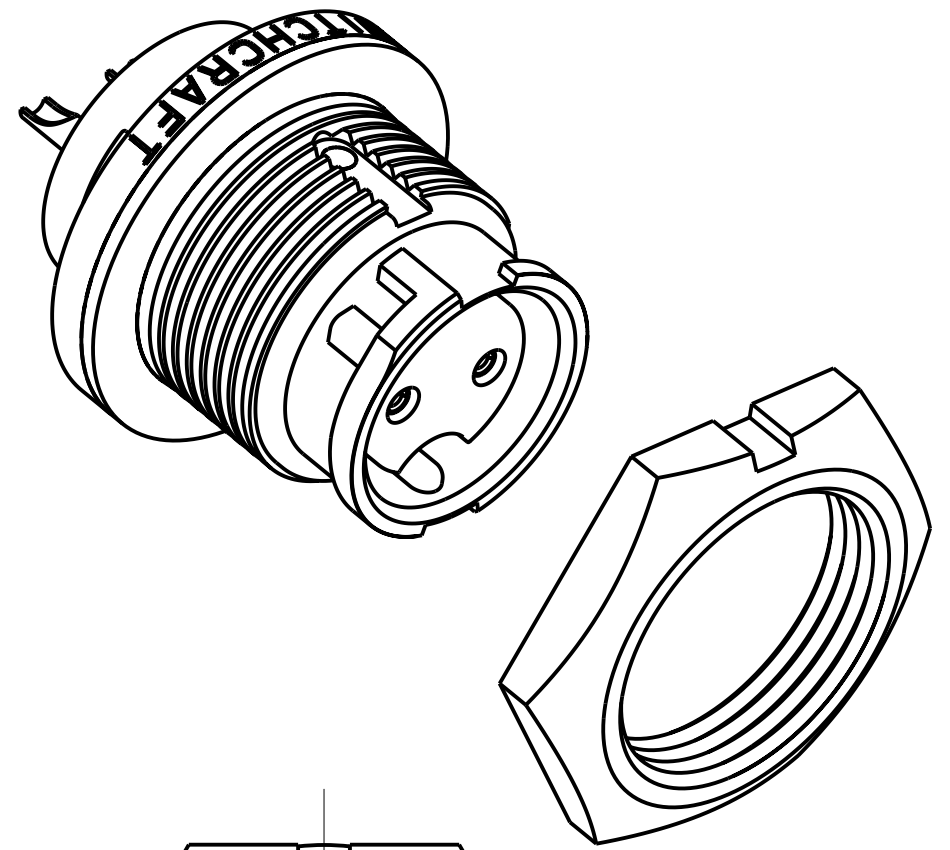
ELECTRICAL
 DIELECTRIC WITHSTANDING VOLTAGE: 1,000 VAC
 INSULATION RESISTANCE: 100 MEGOHMS (MIN) AT 77°F
 CONTACT RESISTANCE: 5.0 MILLOHMS MAX.
 CURRENT RATING: 7.5 AMPS (#20 CONTACT)
 13.0 AMPS (#16 CONTACT)

ENVIRONMENTAL
 TEMPERATURE LIMITS: -40°C TO +65°C (NON-OPERATING)
 MOISTURE RESISTANCE: MIL-STD 202 METHOD 106F
 INSULATION RESISTANCE: MIL-STD 202 METHOD 302, COND. B
 THERMAL SHOCK: MIL-STD 202 METHOD 107G
 SALT SPRAY: MIL-STD 202 METHOD 101D, COND. B
 WATER TIGHTNESS TEST: U.S. COAST GUARD CFR 46 PART 110.20

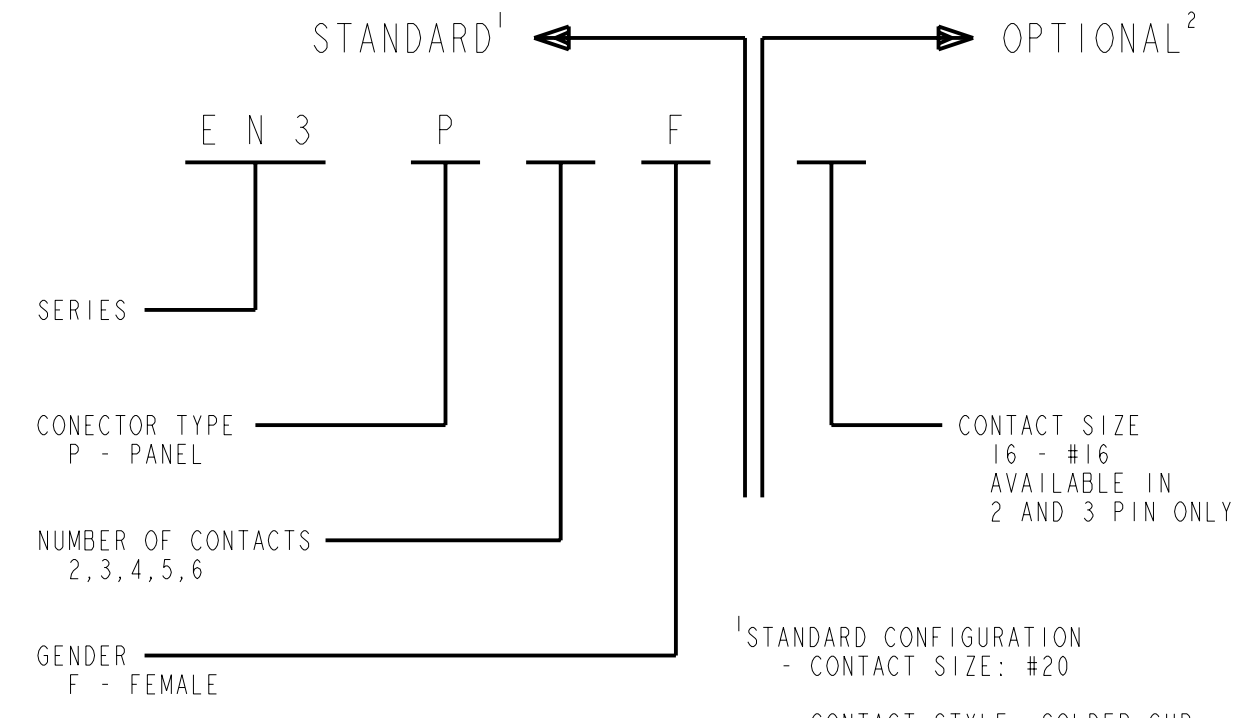
- NOTES:**
- HEX NUT TORQUE: 8 TO 10 INCH-LBS. OF TORQUE (MUST NOT EXCEED 10 INCH-LBS.)
 - HEX NUT SHIPPED UNASSEMBLED.

CONTACT ARRANGEMENT

SHOWN ARE REAR VIEWS OF FEMALE PANEL CONNECTORS



MATERIALS:
 PANEL CONNECTOR SHELL, CONTACT LOCKING DISC: THERMOPLASTIC POLYMER GLASS FIBER, FLAME RETARDANT
 CONNECTOR SHELL INTERIOR: THERMOPLASTIC RUBBER
 CONTACTS: COPPER BASE ALLOY GOLD-PLATED OVER NICKEL UNDERPLATE
 HEX NUT: THERMOPLASTIC



- ¹STANDARD CONFIGURATION - CONTACT SIZE: #20
- CONTACT STYLE: SOLDER CUP
 - CONTACT PLATING: GOLD
 - CONTACTS FACTORY INSTALLED
 - PACKAGED IN BULK
- ²OPTIONAL CONFIGURATION - LEAVE BLANK FOR STANDARD CONFIGURATION

CUSTOMER DRAWING

H	24661	3-4-04	JL	EB	★ STAR SYMBOL DENOTES CRITICAL DIMENSION	THIS DRAWING DESCRIBES A DESIGN CONSIDERED PROPRIETARY IN NATURE, DEVELOPED AND MANUFACTURED BY SWITCHCRAFT INC. AND IS RELEASED ON A CONFIDENTIAL BASIS FOR IDENTIFICATION PURPOSES ONLY.
G	ECO #23595	1-31-01	TJK	TJK	UNLESS OTHERWISE SPECIFIED	
F	ECO #22232	2-23-98	SG	SC	1. ALL DIMENSIONS IN INCHES - TWO PLACE DECIMALS ±0.01 - THREE PLACE DECIMALS ±0.005 - ANGLES ±1° - ALL DIA. CONCENTRIC WITHIN 0.005 T.I.R.	SIZE WIDTH MULT LBS/M TEMPER
E	ECO #21577	12-30-93	MM	FL	2. FEATURES ON THE SAME CENTERLINE MUST BE ALIGNED WITHIN ±0.002	FINISH SPEC No. MATERIAL SPEC No.
D	ECO #21461	12-2-96	MM	FL	3. REMOVE ALL BURRS	FIRST USED ON SCALE 3:1
C	ECO #19818	10-9-95	RC	KS		DATE DRAWN BY CHKD APVD 1-28-95 SG 2-27-95 FL 2-27-95
B	FIRST DRAWN	1-28-95	SG	FL		NAME FEMALE PANEL CONNECTORS EN3P_F SERIES
REV	ECO NUMBER	DATE	BY	APVD	DO NOT SCALE DRAWING	SHEET 1 OF 1
REVISIONS						Switchcraft®
						REV H