



Chipsmall Limited consists of a professional team with an average of over 10 year of expertise in the distribution of electronic components. Based in Hongkong, we have already established firm and mutual-benefit business relationships with customers from,Europe,America and south Asia,supplying obsolete and hard-to-find components to meet their specific needs.

With the principle of “Quality Parts,Customers Priority,Honest Operation,and Considerate Service”,our business mainly focus on the distribution of electronic components. Line cards we deal with include Microchip,ALPS,ROHM,Xilinx,Pulse,ON,Everlight and Freescale. Main products comprise IC,Modules,Potentiometer,IC Socket,Relay,Connector.Our parts cover such applications as commercial,industrial, and automotives areas.

We are looking forward to setting up business relationship with you and hope to provide you with the best service and solution. Let us make a better world for our industry!



Contact us

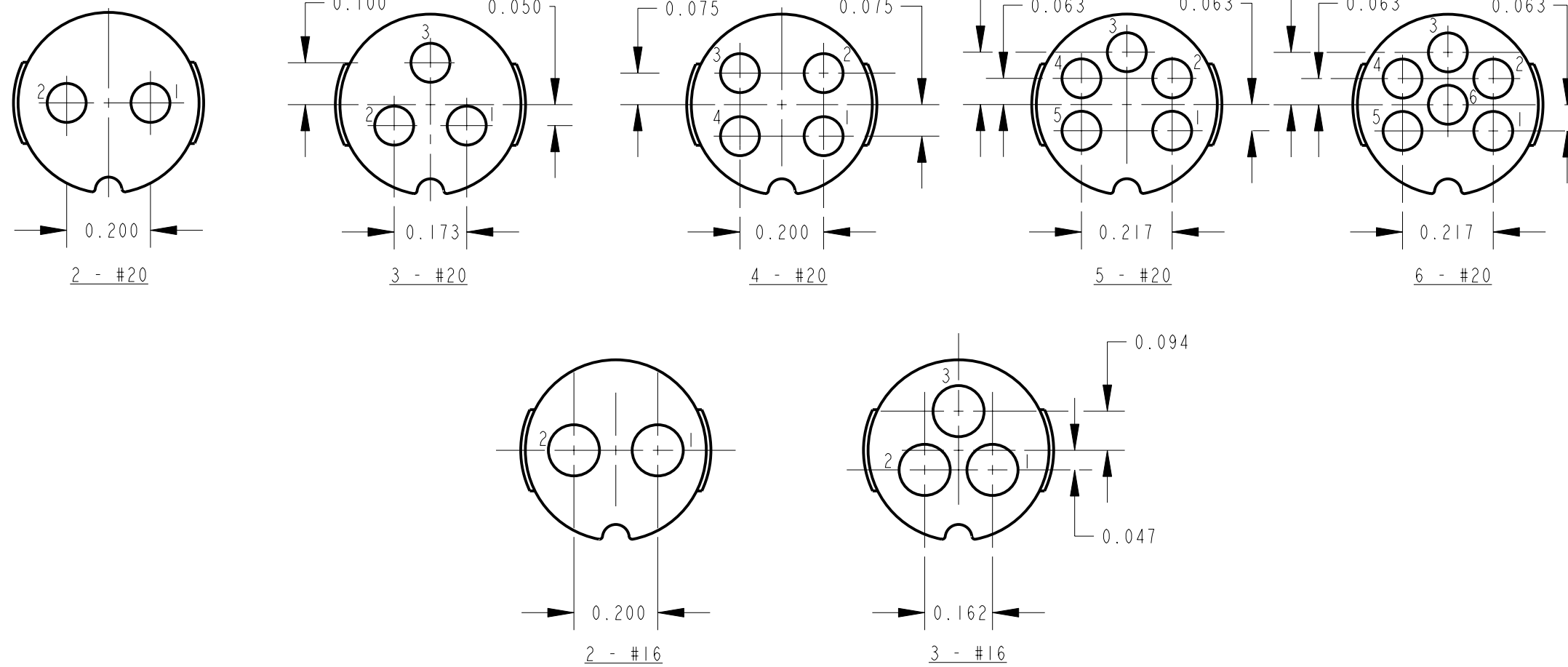
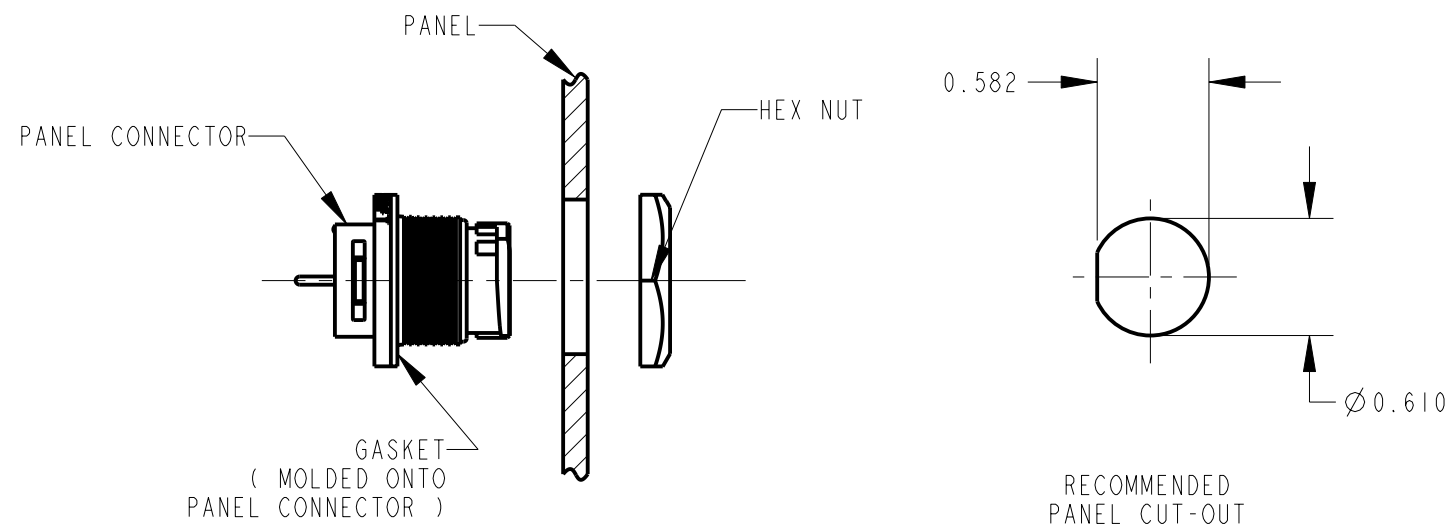
Tel: +86-755-8981 8866 Fax: +86-755-8427 6832

Email & Skype: info@chipsmall.com Web: www.chipsmall.com

Address: A1208, Overseas Decoration Building, #122 Zhenhua RD., Futian, Shenzhen, China



SWITCHCRAFT PANEL CONNECTOR ASSEMBLY INSTRUCTIONS

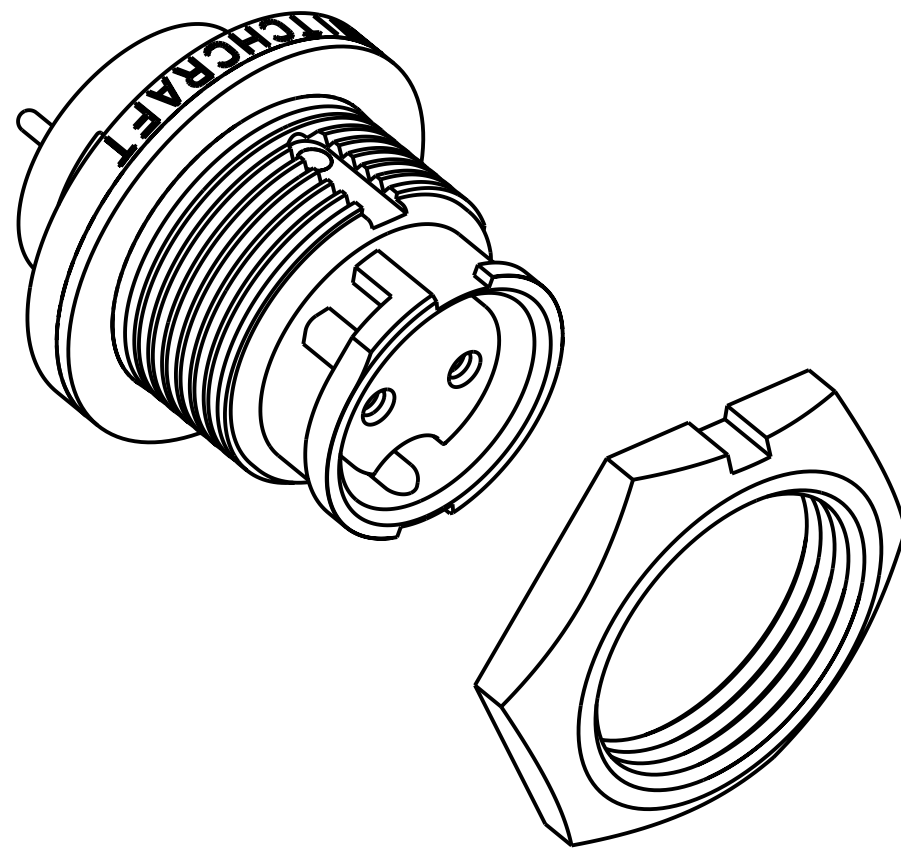


SPECIFICATIONS

MECHANICAL:
 SHOCK: MIL-STD 202 METHOD 213B, COND. K.
 VIBRATION: MIL-STD 202 METHOD 201
 LIFE: 300 INSERTION/WITHDRAWAL CYCLES (MINIMUM)

ELECTRICAL
 DIELECTRIC WITHSTANDING VOLTAGE: 1,000 VAC
 INSULATION RESISTANCE: 100 MEGOHMS (MIN) AT 77°F
 CONTACT RESISTANCE: 5.0 MILLOHMS MAX.
 CURRENT RATING: 7.5 AMPS (#20 CONTACT)
 13.0 AMPS (#16 CONTACT)

ENVIRONMENTAL
 TEMPERATURE LIMITS: -40°C TO +65°C (NON-OPERATING)
 MOISTURE RESISTANCE: MIL-STD 202 METHOD 106F
 INSULATION RESISTANCE: MIL-STD 202 METHOD 302, COND. B
 THERMAL SHOCK: MIL-STD 202 METHOD 107G
 SALT SPRAY: MIL-STD 202 METHOD 101D, COND. B
 WATER TIGHTNESS TEST: U.S. COAST GUARD CFR 46 PART 110.20



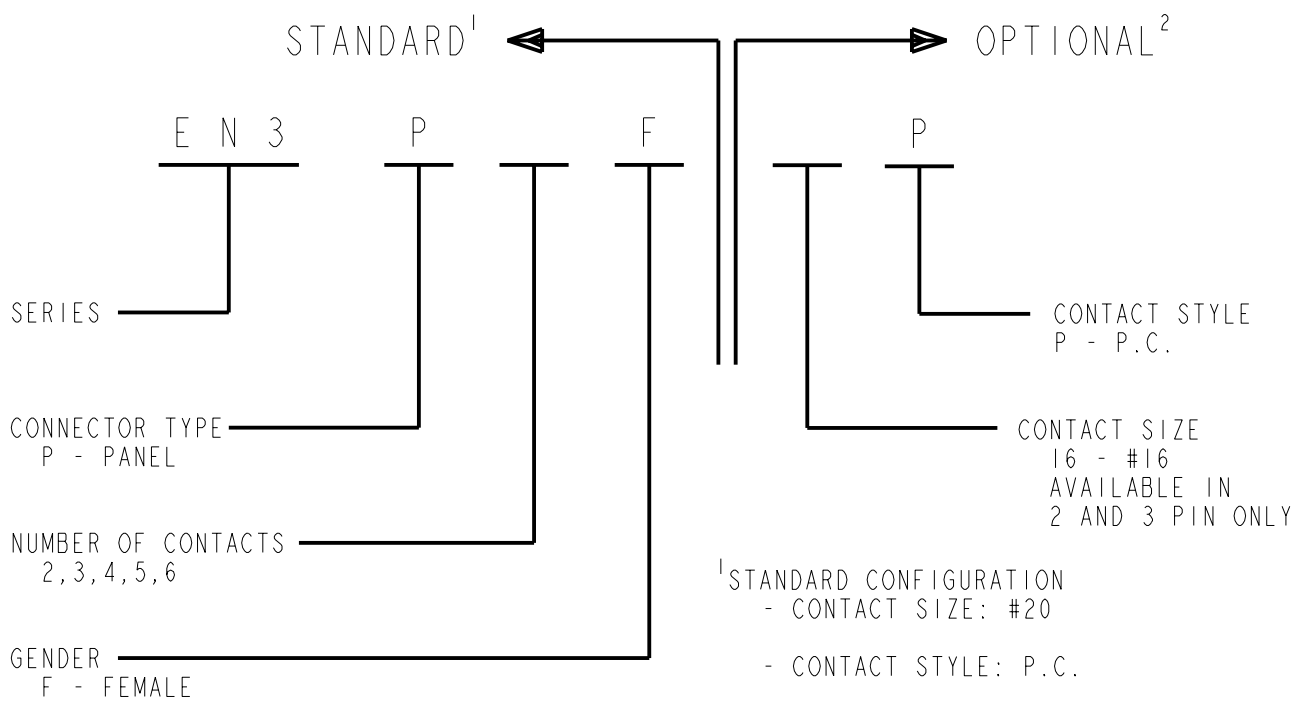
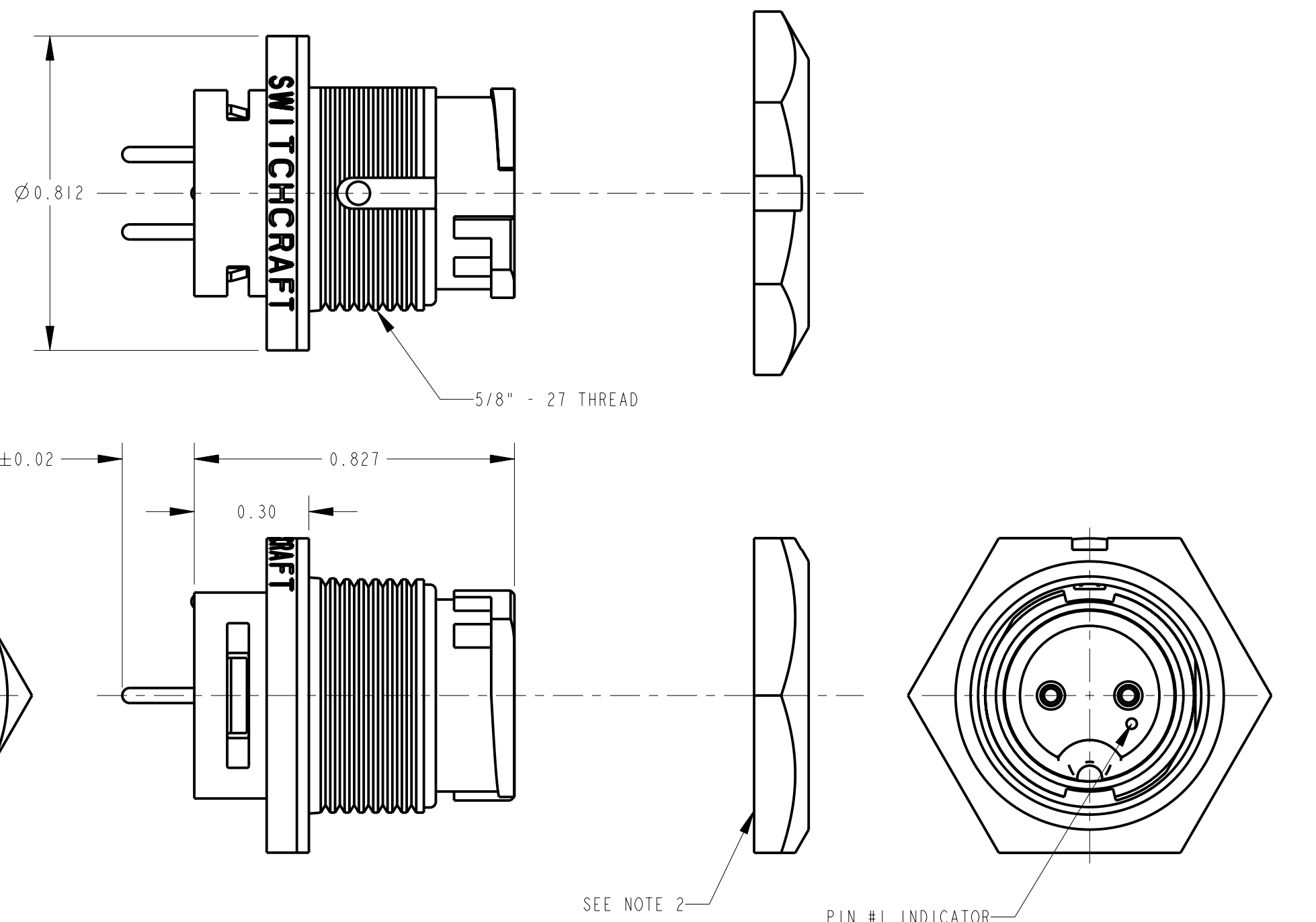
HOLE LAYOUTS VIEWED FROM FRONT OF CONNECTOR
 RECOMMENDED HOLE SIZE: #20 CONTACT: .046" DIA.
 #16 CONTACT: .055" DIA.

MATERIALS:
 PANEL CONNECTOR SHELL, CONTACT LOCKING DISC:
 THERMOPLASTIC POLYMER GLASS FIBER, FLAME RETARDANT

CONNECTOR SHELL INTERIOR:
 THERMOPLASTIC RUBBER

CONTACTS: COPPER BASE ALLOY GOLD-PLATED
 OVER NICKEL UNDERPLATE

HEX NUT: THERMOPLASTIC



NOTES:

- HEX NUT TORQUE:
8 TO 10 INCH-LBS. OF TORQUE
(MUST NOT EXCEED 10 INCH-LBS.)
- HEX NUT SHIPPED UNASSEMBLED.

★ STAR SYMBOL DENOTES CRITICAL DIMENSION				THIS DRAWING DESCRIBES A DESIGN CONSIDERED PROPRIETARY IN NATURE, DEVELOPED AND MANUFACTURED BY SWITCHCRAFT INC. AND IS RELEASED ON A CONFIDENTIAL BASIS FOR IDENTIFICATION PURPOSES ONLY.					
UNLESS OTHERWISE SPECIFIED				SIZE	WIDTH	MULT	LBS/M	TEMPER	
E	24661	3-4-04	JL	EB	FINISH			MATERIAL	
D	23595	2-5-01	JL	DK	SPEC No.			SPEC No.	
C	22232	2-20-98	SG	SC	FIRST USED ON			SCALE	
B	ECO #21461	12-9-96	MM	FL	DATE DRAWN			BY	
A	RELEASE TO MFG. ECO #21376	9-18-96	SG	FL	3-8-96	CCB	3-8-96	APVD	
REV	ECO NUMBER	DATE	BY	APVD	NAME			PART No.	
REVISIONS				DO NOT SCALE DRAWING				FEMALE PANEL CONNECTOR	EN3P_F_P



SHEET 1 OF 1
 REV E