



Chipsmall Limited consists of a professional team with an average of over 10 year of expertise in the distribution of electronic components. Based in Hongkong, we have already established firm and mutual-benefit business relationships with customers from,Europe,America and south Asia,supplying obsolete and hard-to-find components to meet their specific needs.

With the principle of “Quality Parts,Customers Priority,Honest Operation,and Considerate Service”,our business mainly focus on the distribution of electronic components. Line cards we deal with include Microchip,ALPS,ROHM,Xilinx,Pulse,ON,Everlight and Freescale. Main products comprise IC,Modules,Potentiometer,IC Socket,Relay,Connector.Our parts cover such applications as commercial,industrial, and automotives areas.

We are looking forward to setting up business relationship with you and hope to provide you with the best service and solution. Let us make a better world for our industry!



Contact us

Tel: +86-755-8981 8866 Fax: +86-755-8427 6832

Email & Skype: info@chipsmall.com Web: www.chipsmall.com

Address: A1208, Overseas Decoration Building, #122 Zhenhua RD., Futian, Shenzhen, China



EN3® RIGHT-ANGLE WEATHERTIGHT CONNECTORS

Features and Benefits

- Patented grommet and "O" ring free design allows for quick assembly
- Gold plated pins and contacts with an integrated design ensures reliable and uninterrupted connectivity
- The only IP68 rated right angle PCB mount connector on the market
- No intermediate PC board
- Available in 2 through 6 pin female and 2 through 8 pin male - 20 AWG pins and contacts only
- EN3® products are currently used in marine, medical, food service, transportation, GPS and general electronic applications

Product Specifications

Materials

Panel Connector Shells & Locking Nut: Thermoplastic polymer, glass fiber, flame retardant

Connector Shell Interior: Thermoplastic rubber

Contacts: Copper base alloy gold-plated over nickel underplating

Mechanical

Shock: Mil-Std 202 Method 213B, condition K

Vibration: Mil-Std 202 Method 201

Life: 600 insertion/withdraw cycles (minimum)

Electrical

Voltage Rating: Tested at 600 VRMS

Insulation Resistance: 100 megohms (minimum) at 77° F

Contact Resistance: 10 milliohms (maximum)

Current Rating: 6.5 Amps (#20 contact) - 7 and 8 pin
7.5 Amps (#20 contact) - 2 through 6 pin

Environmental

Temperature Limits: -40° C to +65° C (non-operating)

Moisture Resistance: Mil-Std 202 Method 106F

Insulation Resistance: Mil-Std Method 302 condition B

Thermal Shock: Mil-Std 202 Method 107G

Salt Spray: Mil-Std 202 Method 101D condition B

Product Ratings

IP16/IP18 (Unmated EN3 Product)

IP66/IP68 (Mated EN3 Product)

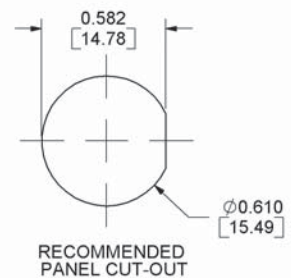
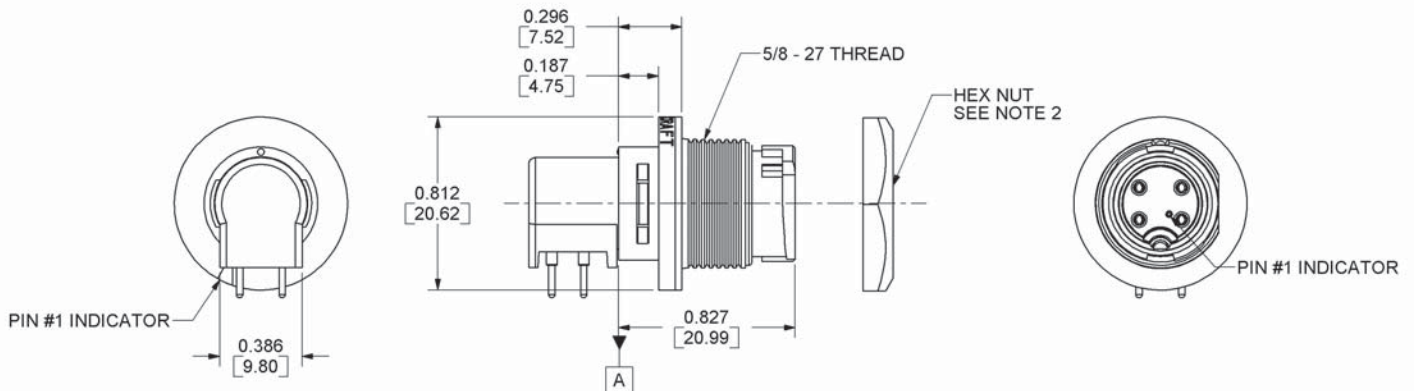
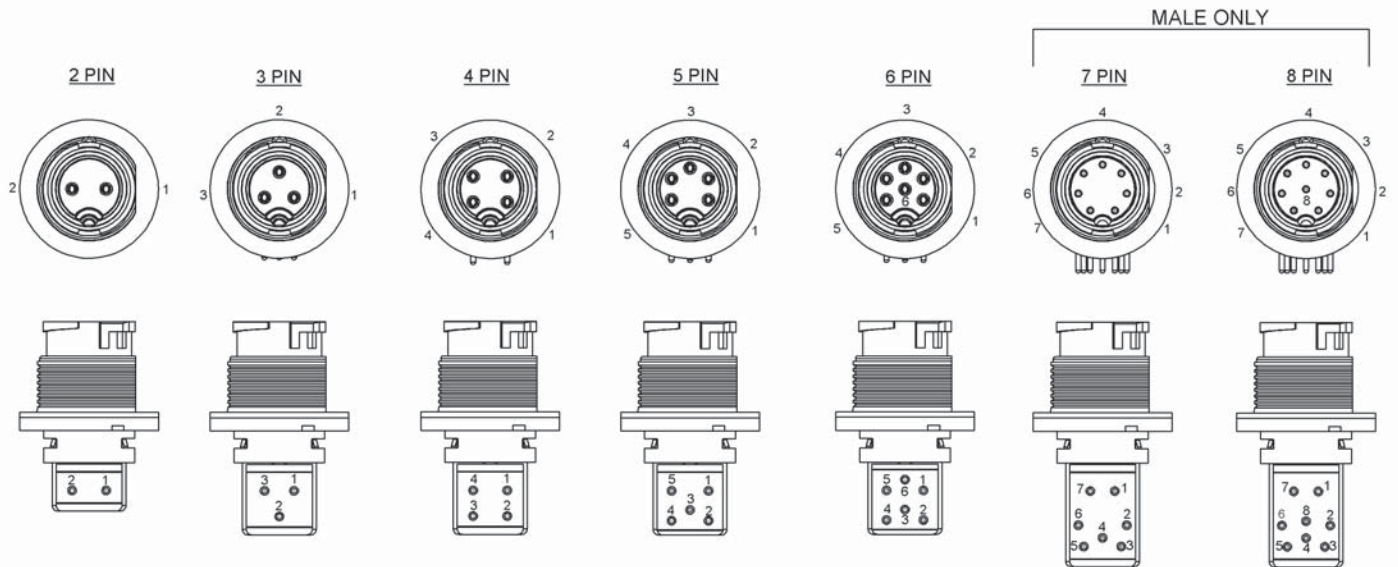
NEMA 250 (6P)

CFR 46 Part 110.20

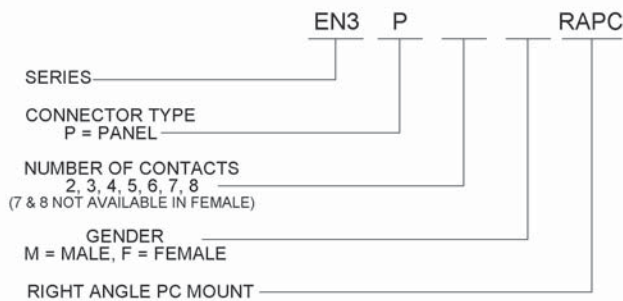
UL 94V-0



EN3[®] RIGHT-ANGLE WEATHERTIGHT CONNECTORS

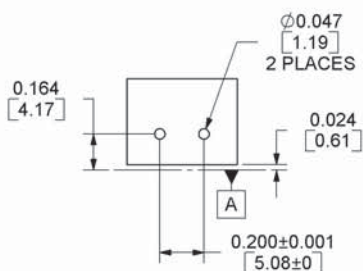


Part Numbering Chart

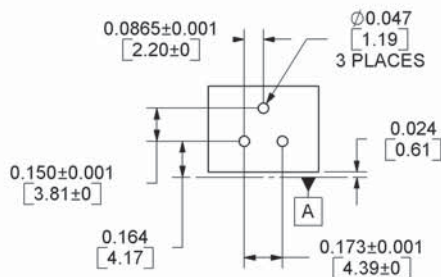


NOTES:

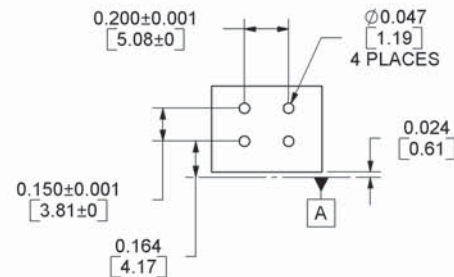
- CONTACT SIZE: #20 AWG
- HEX NUT TORQUE: 8 TO 10 INCH-LBS.



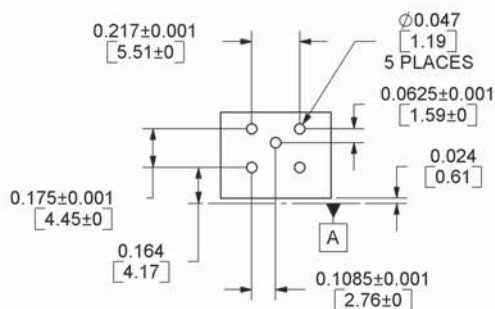
2 PIN MALE/FEMALE
RECOMMENDED PC BOARD LAYOUT
(COMPONENT SIDE)



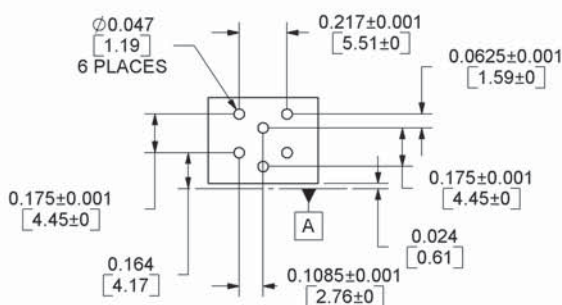
3 PIN MALE/FEMALE
RECOMMENDED PC BOARD LAYOUT
(COMPONENT SIDE)



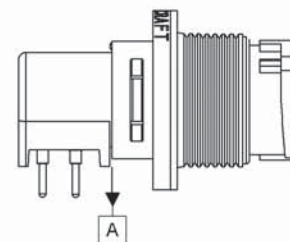
4 PIN MALE/FEMALE
RECOMMENDED PC BOARD LAYOUT
(COMPONENT SIDE)



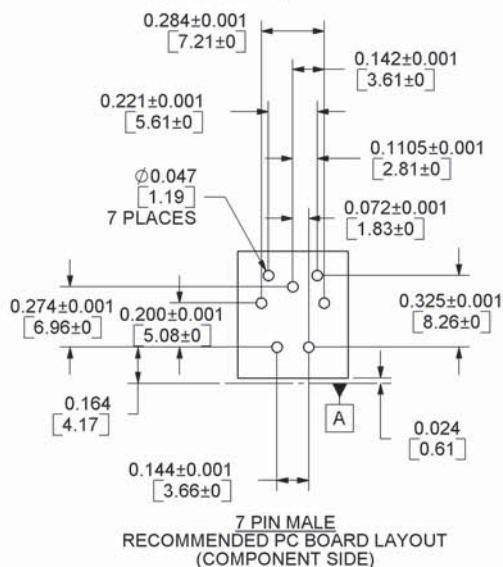
5 PIN MALE/FEMALE
RECOMMENDED PC BOARD LAYOUT
(COMPONENT SIDE)



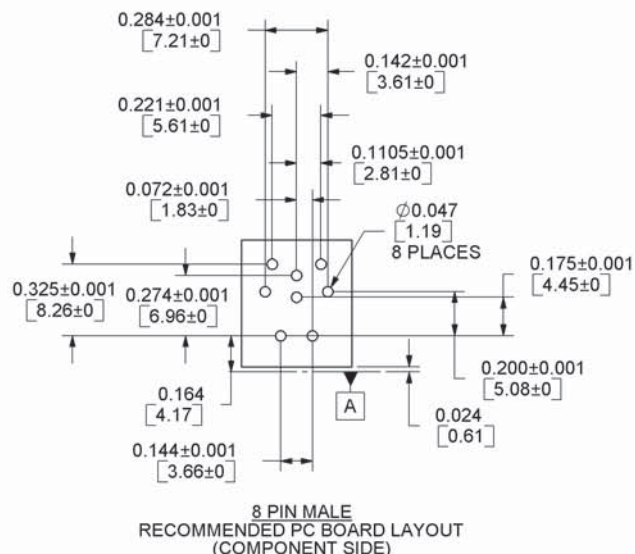
6 PIN MALE/FEMALE
RECOMMENDED PC BOARD LAYOUT
(COMPONENT SIDE)



7 & 8 PIN NOT AVAILABLE IN FEMALE CONNECTOR



7 PIN MALE
RECOMMENDED PC BOARD LAYOUT
(COMPONENT SIDE)



8 PIN MALE
RECOMMENDED PC BOARD LAYOUT
(COMPONENT SIDE)

Switchcraft[®]

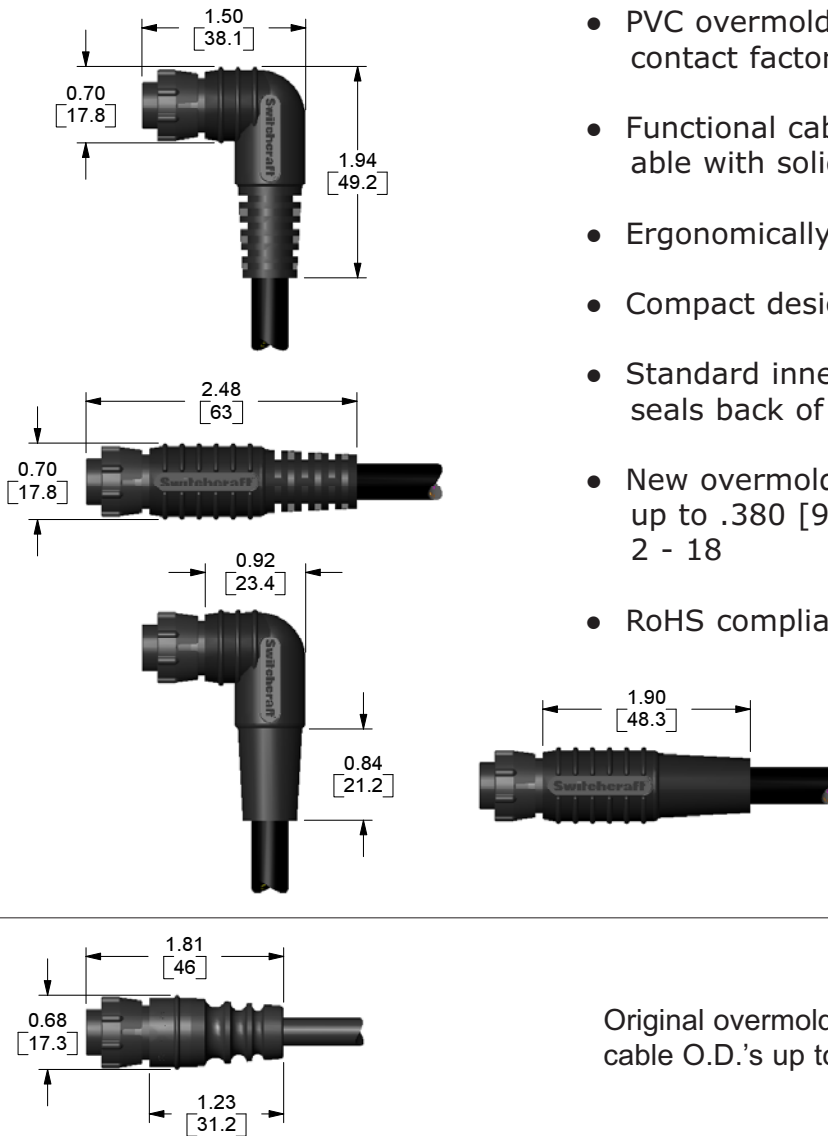
www.switchcraft.com

5555 North Elston Avenue / Chicago, IL 60630
Phone: 773-792-2700 / Fax: 773-792-2129

New EN3® Overmold Options

Features and Benefits

- Standard overmold color is black
- PVC overmold available in colors - contact factory for price and availability
- Functional cable flex relief, also available with solid tapered end
- Ergonomically designed handle
- Compact design with small profile
- Standard inner pre-mold completely seals back of connector
- New overmolds accept cable diameter up to .380 [9.6] nom. with pin counts 2 - 18
- RoHS compliant



Original overmold design still available for cable O.D.'s up to 0.310" [7.9].

All dimensions for reference only.

Switchcraft®

www.switchcraft.com

5555 North Elston Avenue / Chicago, IL 60630
Phone: 773-792-2700 / Fax: 773-792-2129