



Chipsmall Limited consists of a professional team with an average of over 10 year of expertise in the distribution of electronic components. Based in Hongkong, we have already established firm and mutual-benefit business relationships with customers from,Europe,America and south Asia,supplying obsolete and hard-to-find components to meet their specific needs.

With the principle of “Quality Parts,Customers Priority,Honest Operation,and Considerate Service”,our business mainly focus on the distribution of electronic components. Line cards we deal with include Microchip,ALPS,ROHM,Xilinx,Pulse,ON,Everlight and Freescale. Main products comprise IC,Modules,Potentiometer,IC Socket,Relay,Connector.Our parts cover such applications as commercial,industrial, and automotives areas.

We are looking forward to setting up business relationship with you and hope to provide you with the best service and solution. Let us make a better world for our industry!



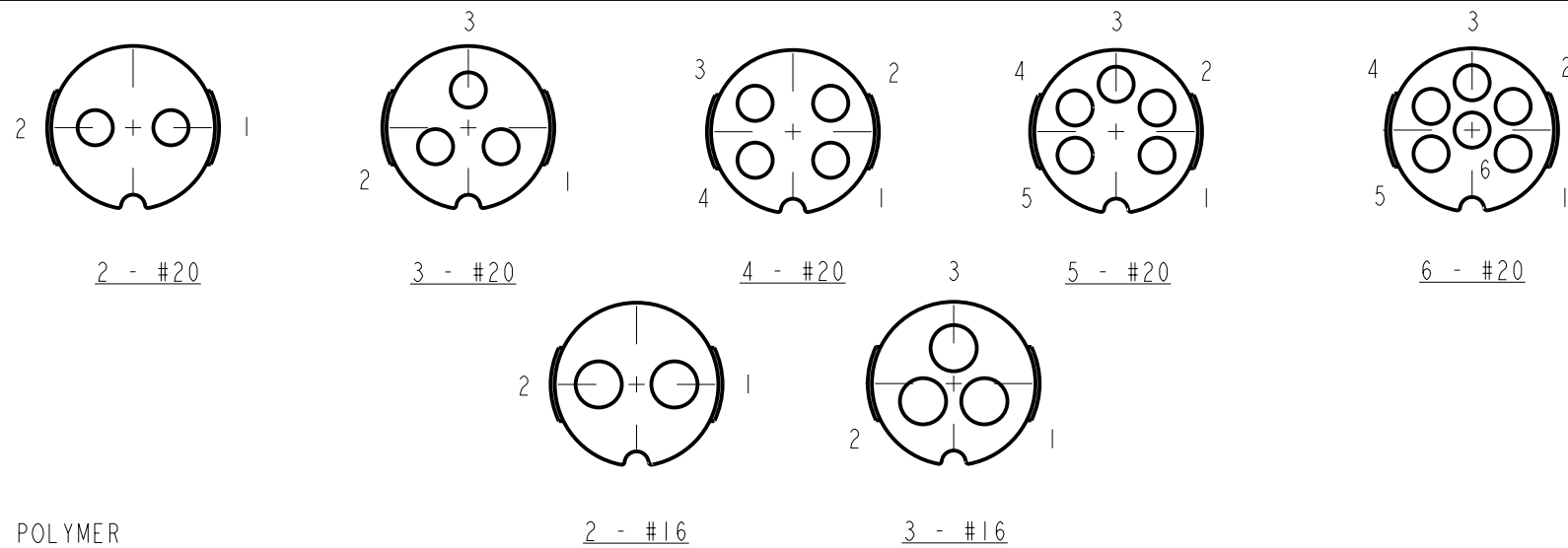
Contact us

Tel: +86-755-8981 8866 Fax: +86-755-8427 6832

Email & Skype: info@chipsmall.com Web: www.chipsmall.com

Address: A1208, Overseas Decoration Building, #122 Zhenhua RD., Futian, Shenzhen, China





MATERIAL:

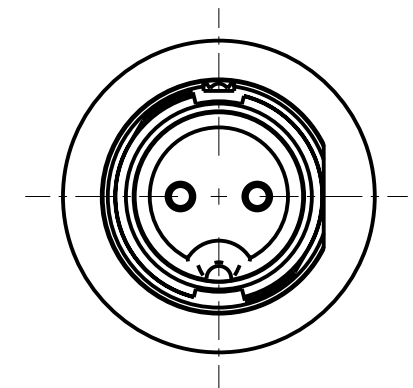
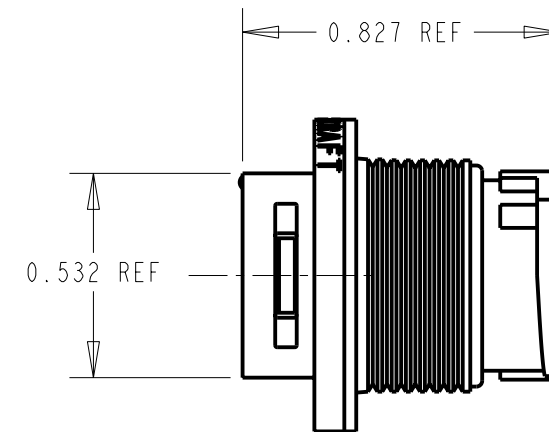
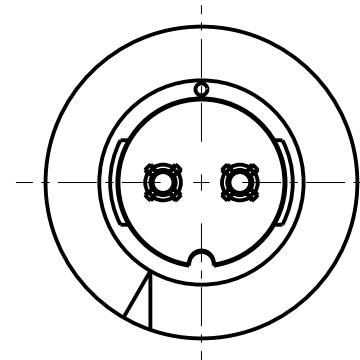
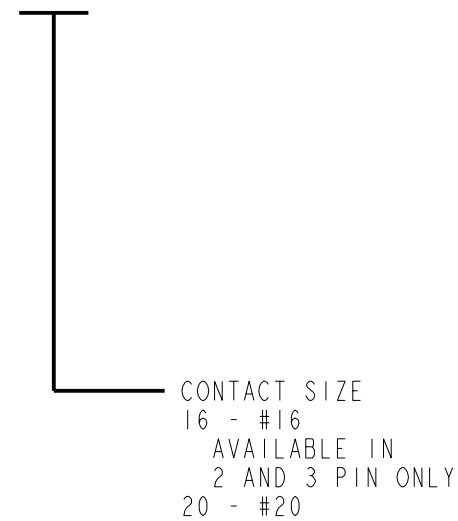
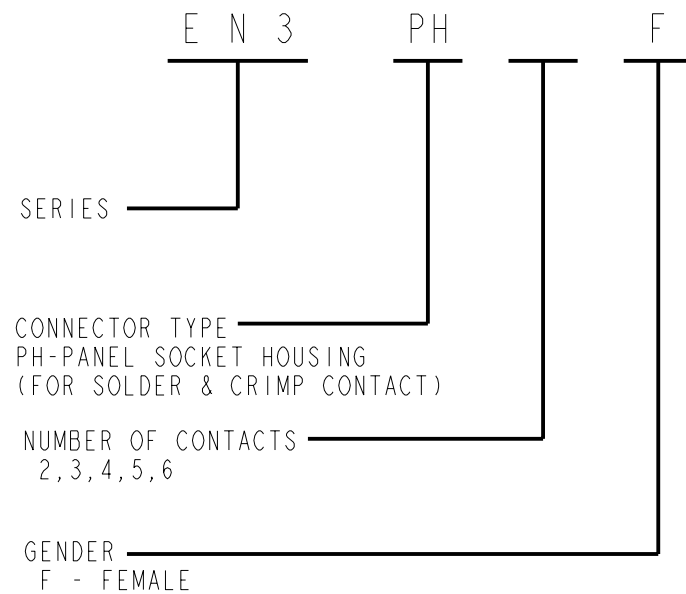
CONNECTOR HOUSING:
 CONNECTOR SHELL- THERMOPLASTIC POLYMER
 GLASS FIBER, FLAME RETARDANT
 CONNECTOR INTERIOR- THERMOPLASTIC RUBBER
 LOCKING DISC: THERMOPLASTIC POLYMER
 GLASS FIBER, FLAME RETARDANT

NOTE:

1. LOCKING DISC ASSEMBLED TO HOUSING.

CONTACT ARRANGEMENTS

SHOWN ARE REAR VIEWS OF FEMALE PANEL CONNECTORS



CUSTOMER DRAWING

☆ STAR SYMBOL DENOTES CRITICAL DIMENSION UNLESS OTHERWISE SPECIFIED 1. ALL DIMENSIONS IN INCHES - TWO PLACE DECIMALS ±0.01 - THREE PLACE DECIMALS ±0.005 - ANGLES ±1° - ALL DIA. CONCENTRIC WITHIN 0.005 T.I.R. 2. FEATURES ON THE SAME CENTERLINE MUST BE ALIGNED WITHIN ±0.002 3. REMOVE ALL BURRS DO NOT SCALE DRAWING					THIS DRAWING DESCRIBES A DESIGN CONSIDERED PROPRIETARY IN NATURE, DEVELOPED AND MANUFACTURED BY SWITCHCRAFT INC. AND IS RELEASED ON A CONFIDENTIAL BASIS FOR IDENTIFICATION PURPOSES ONLY.				
					SIZE	WIDTH	MULT	LBS/M	TEMPER
B	22232	4-24-98	SG	RB	Switchcraft®				
A	ECO #21183	10-8-96	MM	RB	SHEET 1 OF 1				
REV	ECO NUMBER	DATE	BY	APVD	PART No. EN3PH_F				
REVISIONS					SCALE 2:1				
					DATE DRAWN 8-Oct-96				
					BY MM				
					CHKD RB 10-8-96				
					APVD RB 10-8-96				
					NAME PANEL SOCKET				
					REV B				