



Chipsmall Limited consists of a professional team with an average of over 10 year of expertise in the distribution of electronic components. Based in Hongkong, we have already established firm and mutual-benefit business relationships with customers from,Europe,America and south Asia,supplying obsolete and hard-to-find components to meet their specific needs.

With the principle of “Quality Parts,Customers Priority,Honest Operation,and Considerate Service”,our business mainly focus on the distribution of electronic components. Line cards we deal with include Microchip,ALPS,ROHM,Xilinx,Pulse,ON,Everlight and Freescale. Main products comprise IC,Modules,Potentiometer,IC Socket,Relay,Connector.Our parts cover such applications as commercial,industrial, and automotives areas.

We are looking forward to setting up business relationship with you and hope to provide you with the best service and solution. Let us make a better world for our industry!



Contact us

Tel: +86-755-8981 8866 Fax: +86-755-8427 6832

Email & Skype: info@chipsmall.com Web: www.chipsmall.com

Address: A1208, Overseas Decoration Building, #122 Zhenhua RD., Futian, Shenzhen, China



NEMA 4/IP65 LARGE DISPLAY ENCLOSURE & SHROUD FOR EPAX



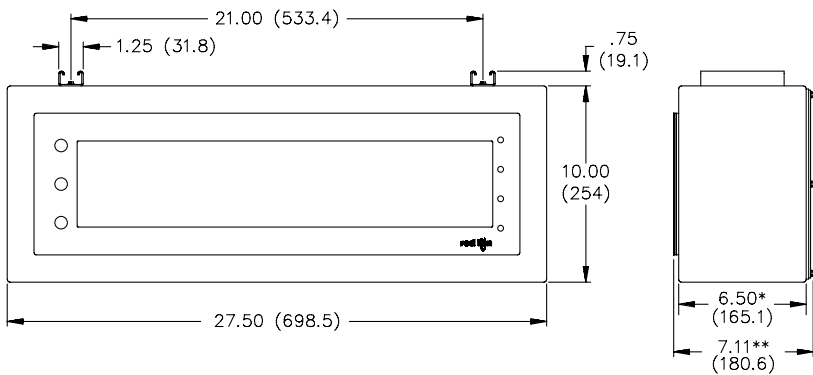
- LIGHT-WEIGHT ALUMINUM CONSTRUCTION
- COMPLETELY SEALED FOR WASH-DOWN
- MOUNTING CHANNELS FOR VERSATILE INSTALLATION

DESCRIPTION

The NEMA 4/IP65 Large Display Enclosure is designed to protect the EPAX from dust and hose directed water, when properly installed. This light-weight all aluminum unit utilizes welded seams and neoprene gaskets to meet NEMA 4/IP65 requirements. A textured, polyurethane coating protects against corrosion and is scratch resistant. Figure 1 below shows the overall dimensions of the Enclosure. The Display Enclosure with Mounting Channels weighs 9 pounds (4.1 Kg).

Picture includes the EPAX, Nema Enclosure, and Shroud

DIMENSIONS In inches (mm)



* Housing Only

** Overall Including Screwheads

Figure 1

MOUNTING

Provided with the enclosure are two 1/4-20 UNC x 1" hex bolts, two 1/4-20 UNC "strut nuts", and two 1/4" washers. The "strut nuts" can be installed anywhere in the channel by inserting them, spring side down, into the channels, then rotating them 90 degrees clockwise until the notches engage with the lips of the channel. The bolts and washers provided allow mounting to surfaces 1/4" to 1/2" thick (6.4 to 12.7 mm). Use longer bolts for mounting to thicker surfaces. Bolts fabricated from materials other than steel are not recommended.

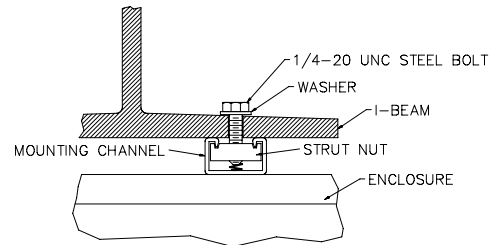
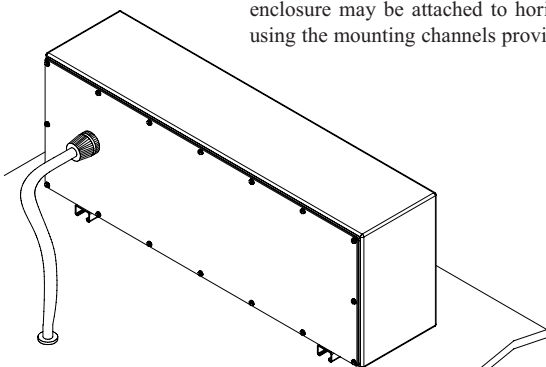


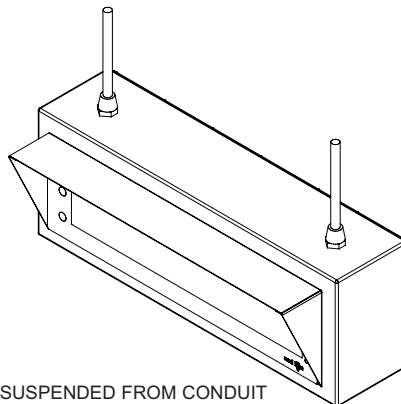
Figure 3

TYPICAL INSTALLATIONS FOR NEMA 4/IP65 ENCLOSURE

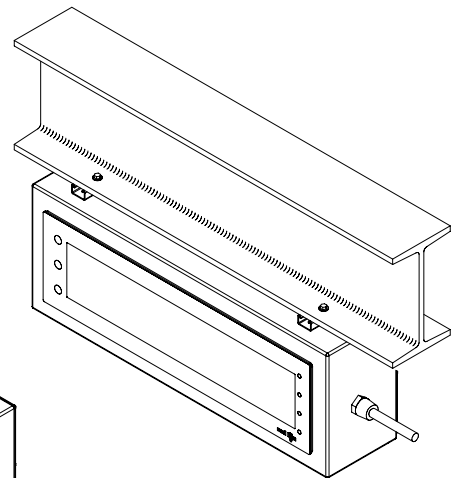
Removing the rear panel of the enclosure allows access to the Display for service. Either the rear panel or housing may be drilled to accept sealed conduit fittings, liquid-tight cable fittings or other types of wiring connectors. The enclosure may be attached to horizontal surfaces located above or below it, using the mounting channels provided.



BASEMOUNT WITH WATERTIGHT CABLE CONNECTOR ENTERING THROUGH REAR PANEL.



SUSPENDED FROM CONDUIT WITH SEALED FITTINGS. (SHOWN WITH SHROUD).



BEAM MOUNT WITH SEALED CONDUIT ENTERING FROM RIGHT SIDE.

Figure 2

ASSEMBLY AND INSTALLATION PROCEDURE

1. Install the two mounting channels on the enclosure housing using the four #8-32 screws provided and then insert the strut nuts (provided). Invert enclosure if base mounting.
2. If the wiring is to be routed through the housing, make sure that the mounting channels are oriented properly before drilling, so the Display will be readable. Wiring is generally brought into the right side of the housing or rear panel, closest to the terminals of the MPAX module. Drill the proper size hole in the housing or rear panel for the wiring connector or sealed conduit fitting and attach the fitting(s).
3. Before installing the Display into the housing, be sure that the mounting channels are oriented properly for the type of installation planned. Place the gasket that is supplied with the Display over the studs extending from the front panel of the display.
4. If using the shroud, refer to the Shroud Installation Procedure. Place the Display with gasket through the holes in the housing as shown at right. Working back and forth across the stud pattern, install the #10-32 keps nuts supplied with the Display on the studs. Tighten firmly.
5. Mount the housing, using the strut nuts and steel 1/4-20 UNC bolts and washers, as shown in figure 4.
6. Connect the wires to the Display per the instructions included with the personality board.
7. Remove the center section of the rear panel gasket. Apply the gasket to the rear panel of the enclosure by inserting the #8-32 screws through the panel and into the holes in the gasket. Position the panel on the housing, start all of the screws, then firmly tighten them in a pattern working back and forth across the rear panel.

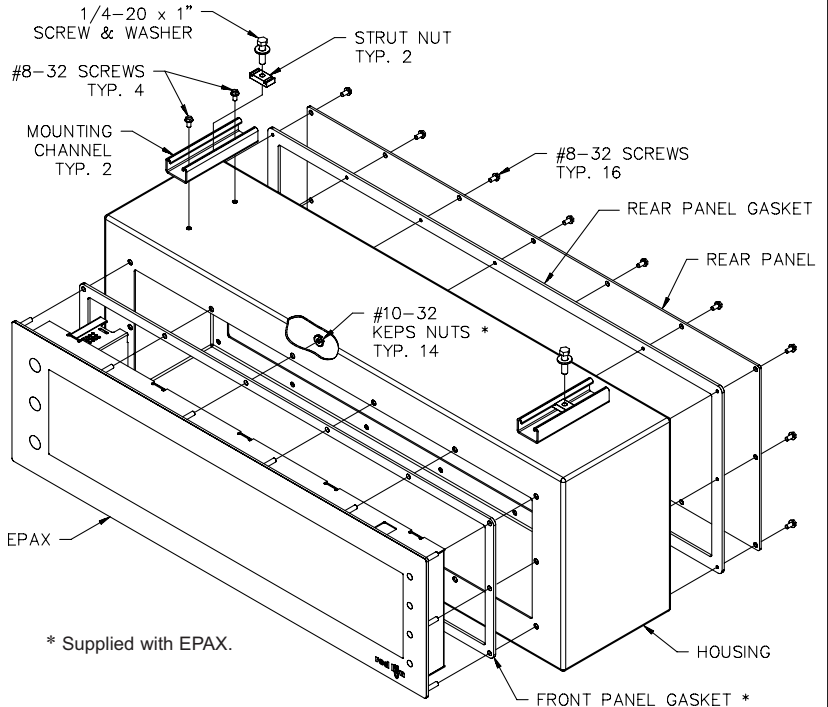


Figure 4

DIMENSIONS FOR THE EPAX DISPLAY SHROUD

The optional EPAX Display Shroud enhances the readability of the Displays that are installed in areas with high intensity overhead light sources. The Shroud can be used with the EPAX Display in any installation, (panel mount, NEMA 4/IP65 Enclosure, or Universal Mounting Bracket). When properly assembled, the Shroud will not affect the integrity of a NEMA 4/IP65 installation. The Shroud weighs 1.0 pounds (0.45 Kg).

DIMENSIONS In inches (mm)

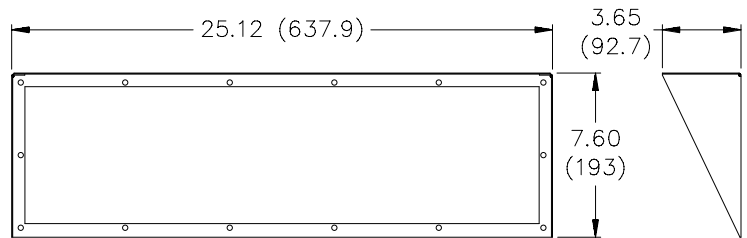


Figure 5

SHROUD INSTALLATION PROCEDURE

Installing The Shroud On An EPAX Display In A NEMA 4/IP65 Enclosure Or Panel

1. Place a gasket over the studs extending from the rear of the front panel of the Display.
2. Orient the shroud as shown in Figure 6, and place it over the display. The studs of the display should now be protruding through the rear of the shroud.
3. Place the other gasket over the studs.
4. Install the unit into the panel or enclosure using the #10-32 keps nuts that are supplied with the Display. Tighten the nuts firmly.

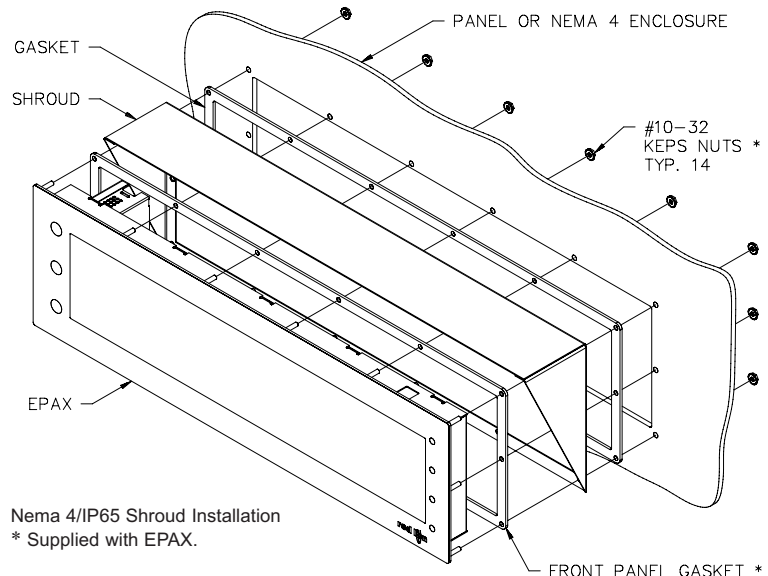


Figure 6

ORDERING INFORMATION

TYPE	MODEL NO.	DESCRIPTION	PART NUMBERS
Display	EPAX	5-Digit Extra Large Display for Analog MPAX Modules	EPAX0500
Analog Input Module	MPAX	Universal DC Input Module, AC Powered	MPAXD000
		Process Input Module, AC Powered	MPAXP000
		Thermocouple and RTD Module, AC Powered	MPAXT000
		AC True RMS Voltage and Current Module, AC Powered	MPAXH000
		Strain Gage/Bridge Input Module, AC Powered	MPAXS000
Plug-In Cards	PAXCDS	Dual Setpoint Relay Output Card	PAXCDS10
		Quad Setpoint Relay Output Card	PAXCDS20
		Quad Setpoint Sinking Open Collector Output Card	PAXCDS30
		Quad Setpoint Sourcing Open Collector Output Card	PAXCDS40
Plug-In Cards	PAXCDC*	RS485 Serial Communications Output Card with Terminal Block	PAXCDC10
		Extended RS485 Serial Communications Output Card with Dual RJ11 Connector	PAXCDC1C
		RS232 Serial Communications Output Card with Terminal Block	PAXCDC20
		Extended RS232 Serial Communications Output Card with 9 Pin D Connector	PAXCDC2C
		DeviceNet Communications Card (Terminal Block)	PAXCDC30
		Modbus Communications Card	PAXCDC40
		Extended Modbus Communications Card with Dual RJ11 Connector	PAXCDC4C
		Profibus-DP Communications Card	PAXCDC50
	PAXCDL*	Analog Output Card	PAXCDL10
	Accessories	PGM	Programming Remote for EPAX with 10 foot cable
SFPAX**		PC Configuration Software for Windows 95/98 (3.5" disk)	SFPAX
ENC12		NEMA 4/IP65 Enclosure for EPAX	ENC12000
SHR		Shroud for EPAX	SHREPA00
EN/SH		EPAX NEMA 4/IP65 Enclosure and Shroud	EPAXENSH

*Refer to "Selecting Your Display Components and Option Cards."

**Available as a FREE download from the Red Lion website. www.redlion.net

TROUBLESHOOTING

For technical assistance, contact technical support.

LIMITED WARRANTY

The Company warrants the products it manufactures against defects in materials and workmanship for a period limited to one year from the date of shipment, provided the products have been stored, handled, installed, and used under proper conditions. The Company's liability under this limited warranty shall extend only to the repair or replacement of a defective product, at The Company's option. The Company disclaims all liability for any affirmation, promise or representation with respect to the products.

The customer agrees to hold Red Lion Controls harmless from, defend, and indemnify RLC against damages, claims, and expenses arising out of subsequent sales of RLC products or products containing components manufactured by RLC and based upon personal injuries, deaths, property damage, lost profits, and other matters which Buyer, its employees, or sub-contractors are or may be to any extent liable, including without limitation penalties imposed by the Consumer Product Safety Act (P.L. 92-573) and liability imposed upon any person pursuant to the Magnuson-Moss Warranty Act (P.L. 93-637), as now in effect or as amended hereafter.

No warranties expressed or implied are created with respect to The Company's products except those expressly contained herein. The Customer acknowledges the disclaimers and limitations contained herein and relies on no other warranties or affirmations.

Red Lion Controls
20 Willow Springs Circle
York PA 17402
Tel +1 (717) 767-6511
Fax +1 (717) 764-0839

Red Lion Controls BV
Basicweg 11b
NL - 3821 BR Amersfoort
Tel +31 (0) 334 723 225
Fax +31 (0) 334 893 793

Red Lion Controls AP
31, Kaki Bukit Road 3,
#06-04/05 TechLink
Singapore 417818
Tel +65 6744-6613
Fax +65 6743-3360

ORDERING INFORMATION

TYPE	MODEL NO.	DESCRIPTION	PART NUMBERS
Display	EPAX	6-Digit Extra Large Display for Digital MPAX Modules	EPAX0600
Digital Input Module	MPAX	Count/Rate Indicator Module, AC Powered	MPAXI000
		Count Indicator Module, AC Powered	MPAXC000
		Rate Indicator Module, AC Powered	MPAXR000
		Real-Time Clock Module, AC Powered	MPAXCK00
		Timer Module, AC Powered	MPAXTM00
Optional Plug-In Cards	PAXCDS	Dual Setpoint Relay Output Card	PAXCDS10
		Quad Setpoint Relay Output Card	PAXCDS20
		Quad Setpoint Sinking Open Collector Output Card	PAXCDS30
		Quad Setpoint Sourcing Open Collector Output Card	PAXCDS40
	PAXCDC*	RS485 Serial Communications Output Card with Terminal Block	PAXCDC10
		Extended RS485 Serial Communications Output Card with Dual RJ11 Connector	PAXCDC1C
		RS232 Serial Communications Output Card with Terminal Block	PAXCDC20
		Extended RS232 Serial Communications Output Card with 9 Pin D Connector	PAXCDC2C
		DeviceNet Communications Card	PAXCDC30
		Modbus Communications Card	PAXCDC40
		Extended Modbus Communications Card with Dual RJ11 Connector	PAXCDC4C
	Profibus-DP Communications Card	PAXCDC50	
	PAXCDL*	Analog Output Card	PAXCDL10
	PAXRTC*	Real-Time Clock Card (Replacement Only)	PAXRTC00
Accessories	PGM	Programming Remote for EPAX with 10 foot cable	EPAXPGM0
	SFPAX**	PC Configuration Software for Windows 95/98 (3.5" disk)	SFPAX
	ENC12	NEMA 4/IP65 Enclosure for EPAX	ENC12000
	SHR	Shroud for EPAX	SHREPAX0
	EN/SH	EPAX NEMA 4/IP65 Enclosure and Shroud	EPAXENSH

*Refer to "Selecting Your Display Components and Option Cards."

**Available as a FREE download from the Red Lion website. www.redlion.net

TROUBLESHOOTING

For technical assistance, contact technical support.

LIMITED WARRANTY

The Company warrants the products it manufactures against defects in materials and workmanship for a period limited to one year from the date of shipment, provided the products have been stored, handled, installed, and used under proper conditions. The Company's liability under this limited warranty shall extend only to the repair or replacement of a defective product, at The Company's option. The Company disclaims all liability for any affirmation, promise or representation with respect to the products.

The customer agrees to hold Red Lion Controls harmless from, defend, and indemnify RLC against damages, claims, and expenses arising out of subsequent sales of RLC products or products containing components manufactured by RLC and based upon personal injuries, deaths, property damage, lost profits, and other matters which Buyer, its employees, or sub-contractors are or may be to any extent liable, including without limitation penalties imposed by the Consumer Product Safety Act (P.L. 92-573) and liability imposed upon any person pursuant to the Magnuson-Moss Warranty Act (P.L. 93-637), as now in effect or as amended hereafter.

No warranties expressed or implied are created with respect to The Company's products except those expressly contained herein. The Customer acknowledges the disclaimers and limitations contained herein and relies on no other warranties or affirmations.

Red Lion Controls
20 Willow Springs Circle
York PA 17402
Tel +1 (717) 767-6511
Fax +1 (717) 764-0839

Red Lion Controls BV
Basicweg 11b
NL - 3821 BR Amersfoort
Tel +31 (0) 334 723 225
Fax +31 (0) 334 893 793

Red Lion Controls AP
31, Kaki Bukit Road 3,
#06-04/05 TechLink
Singapore 417818
Tel +65 6744-6613
Fax +65 6743-3360