



Chipsmall Limited consists of a professional team with an average of over 10 year of expertise in the distribution of electronic components. Based in Hongkong, we have already established firm and mutual-benefit business relationships with customers from,Europe,America and south Asia,supplying obsolete and hard-to-find components to meet their specific needs.

With the principle of “Quality Parts,Customers Priority,Honest Operation,and Considerate Service”,our business mainly focus on the distribution of electronic components. Line cards we deal with include Microchip,ALPS,ROHM,Xilinx,Pulse,ON,Everlight and Freescale. Main products comprise IC,Modules,Potentiometer,IC Socket,Relay,Connector.Our parts cover such applications as commercial,industrial, and automotives areas.

We are looking forward to setting up business relationship with you and hope to provide you with the best service and solution. Let us make a better world for our industry!



## Contact us

Tel: +86-755-8981 8866 Fax: +86-755-8427 6832

Email & Skype: info@chipsmall.com Web: www.chipsmall.com

Address: A1208, Overseas Decoration Building, #122 Zhenhua RD., Futian, Shenzhen, China



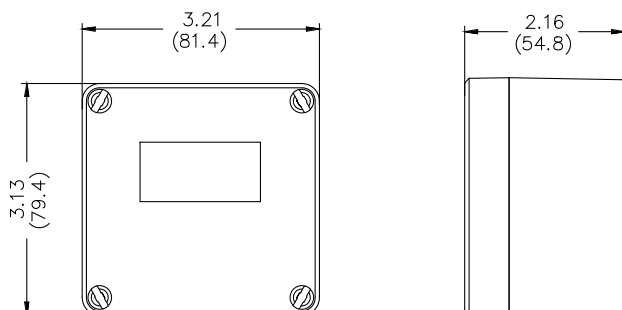
## MODEL ENC13 - NEMA 4 ENCLOSURES FOR CUB7

### DESCRIPTION

This enclosure is designed for applications requiring a water resistant instrument enclosure. The enclosure is fabricated of polycarbonate and is designed to withstand NEMA 4X/IP65 wash-down applications. The enclosure must be drilled to accept conduit fittings or other types of wiring connectors. The enclosure can be used free-standing, or it can be securely fastened to a mounting surface.



### ENC13 DIMENSIONS In inches (mm)



### ORDERING INFORMATION

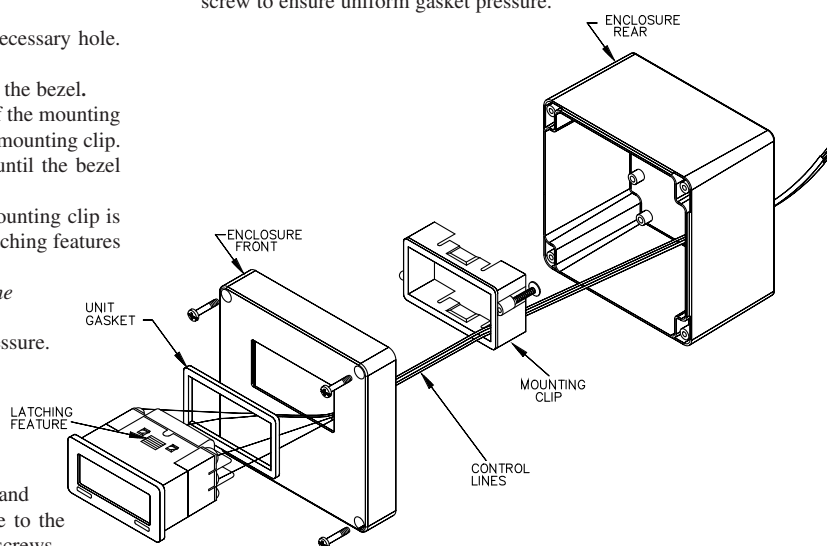
MODEL NO	DESCRIPTION	PART NUMBER
ENC13	Plastic Enclosure for CUB7 units	ENC13000

### ENC13 INSTALLATION

It is recommended to wire the unit before mounting it in the enclosure to ensure good electrical connections. The following steps outline the most common sequence for installing a unit.

- Determine the location of the conduit fitting and drill the necessary hole. Install the fitting and bring the wiring into the enclosure.
- Slide the panel gasket over the rear of the unit to the back of the bezel.
- Assemble nut fastener and mounting screw onto both sides of the mounting clip. The tip of the screw should not project from the hole in mounting clip.
- Install the unit through the opening in the front of the lid until the bezel flange contacts the panel.
- Slide the mounting clip over the rear of the unit until the mounting clip is against the inside of the enclosure. The mounting clip has latching features which engage into mating features on the unit's housing.  
*Note: It is necessary to hold the unit in place when sliding the mounting clip into position.*
- Alternately tighten each screw to ensure uniform gasket pressure. Visually inspect the front panel gasket. The gasket should be compressed to about 75 to 80% of its original thickness (Recommended torque is 28 to 36 in-oz.). If not, gradually turn mounting screws to further compress the gasket.
- If the gasket is not adequately compressed, and the mounting screws can no longer be turned, loosen the mounting screws and check that the mounting clip is latched as close as possible to the inside of enclosure. Repeat the procedure for tightening the screws.

- Connect the necessary wires to the unit for the application desired.
- Assemble the enclosure with the screws provided. Alternately tighten each screw to ensure uniform gasket pressure.



Red Lion Controls  
 Headquarters  
 20 Willow Springs Circle  
 York PA 17406  
 Tel +1 (717) 767-6511  
 Fax +1 (717) 764-0839

Red Lion Controls  
 Europe  
 Printerweg 10  
 NL - 3821 AD Amersfoort  
 Tel +31 (0) 334 723 225  
 Fax +31 (0) 334 893 793

Red Lion Controls  
 India  
 54, Vishvas Tenement  
 GST Road, New Ranip,  
 Ahmedabad-382480 Gujarat, India  
 Tel +91 987 954 0503  
 Fax +91 79 275 31 350

Red Lion Controls  
 China  
 Unit 101, XinAn Plaza  
 Building 13, No.99 Tianzhou Road  
 ShangHai, P.R. China 200223  
 Tel +86 21 6113-3688  
 Fax +86 21 6113-3683