



Chipsmall Limited consists of a professional team with an average of over 10 year of expertise in the distribution of electronic components. Based in Hongkong, we have already established firm and mutual-benefit business relationships with customers from,Europe,America and south Asia,supplying obsolete and hard-to-find components to meet their specific needs.

With the principle of “Quality Parts,Customers Priority,Honest Operation,and Considerate Service”,our business mainly focus on the distribution of electronic components. Line cards we deal with include Microchip,ALPS,ROHM,Xilinx,Pulse,ON,Everlight and Freescale. Main products comprise IC,Modules,Potentiometer,IC Socket,Relay,Connector.Our parts cover such applications as commercial,industrial, and automotives areas.

We are looking forward to setting up business relationship with you and hope to provide you with the best service and solution. Let us make a better world for our industry!



Contact us

Tel: +86-755-8981 8866 Fax: +86-755-8427 6832

Email & Skype: info@chipsmall.com Web: www.chipsmall.com

Address: A1208, Overseas Decoration Building, #122 Zhenhua RD., Futian, Shenzhen, China



NEMA 4/IP65 ENCLOSURES

- RUGGED STEEL CONSTRUCTION
- COMPLETELY SEALED FOR WASH-DOWN
- VERSATILE MOUNTING OPTIONS FOR MACHINE OR DESK-TOP

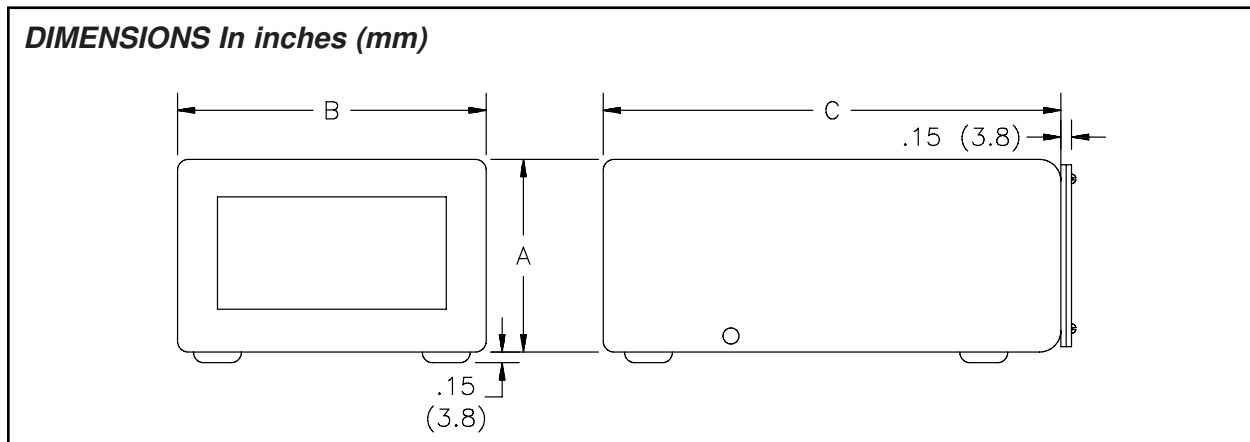


DESCRIPTION

This series of enclosures is designed for applications requiring a water resistant instrument enclosure. These rugged enclosures are fabricated of formed steel with all seams welded to withstand NEMA 4/IP65 wash-down applications. The kits are coated with a durable flat black polyurethane finish.

Electrical connections to the enclosed instrument are easily made through a removable access panel at the rear of the enclosure. The panel can be drilled to accept conduit fittings or other types of wiring connectors.

The enclosures can be mounted free-standing or securely fastened to a mounting surface with brackets which are provided with each enclosure. The brackets also allow the enclosures to be raised and/or tilted from the mounting surface in order to achieve the most favorable operating position. Self-stick rubber pads are provided which can be applied to the bottom of the enclosure. These rubber pads will protect the mounting surface and are particularly useful for free-standing installations.



DESCRIPTION	A	B	C
Legend & Libra Series NEMA 4 Enclosure	3.50" (88.9)	4.75" (120.6)	7.00" (177.8)
Apollo & IM Series NEMA 4 Enclosure	3.00" (76.2)	4.75" (120.6)	8.00" (203.2)
Gemini Series NEMA 4 Enclosure	3.50" (88.9)	6.00" (152.4)	8.00" (203.2)

ORDERING INFORMATION

DESCRIPTION	PART NUMBER
Legend & Libra Series NEMA 4/IP65 Enclosure	ENC40000
Apollo & IM Series NEMA 4/IP65 Enclosure	ENC50000
Gemini Series NEMA 4/IP65 Enclosure	ENC60000

Installation

The RLC ASTRO LINE products (GEMINI, LIBRA, APOLLO) have side openings in the case for panel mounting latches, special latches are supplied with each enclosure to engage the latch openings and securely retain the instrument. The installation procedure is as follows:

1. Verify that the enclosure brackets are installed into the enclosure with the bracket screws backed out more than half way from the brackets but keeping the screw head flush against the enclosure rear.
2. Slide the panel gasket over the rear of the unit until it is against the back of the bezel.
3. Hold the unit on its side so that a side bracket opening is facing up and insert the unit into the enclosure front opening.
4. The bracket hook should fall into the unit bracket opening. Keeping the meter and enclosure on their side, turn the bracket screw tight.

5. Flip the meter and enclosure to the other side.
6. The other bracket hook should fall into the unit bracket opening. Keeping the meter and enclosure on their side, turn the other bracket screw tight.
7. Verify that both screws are tight enough so that the front panel gasket is compressed to at least 50% of it original thickness.
8. Install any connectors or conduit fittings to the rear access panel. Make the desired wiring connections to the enclosed unit.
9. Install the rear panel gasket with the adhesive side against the enclosure and the screw clearance holes aligned with the threaded holes in the enclosure.
10. After all electrical connections have been made, attach the rear access panel to the rear of the enclosure with the four screws and washers provided.

