



Chipsmall Limited consists of a professional team with an average of over 10 year of expertise in the distribution of electronic components. Based in Hongkong, we have already established firm and mutual-benefit business relationships with customers from,Europe,America and south Asia,supplying obsolete and hard-to-find components to meet their specific needs.

With the principle of "Quality Parts,Customers Priority,Honest Operation,and Considerate Service",our business mainly focus on the distribution of electronic components. Line cards we deal with include Microchip,ALPS,ROHM,Xilinx,Pulse,ON,Everlight and Freescale. Main products comprise IC,Modules,Potentiometer,IC Socket,Relay,Connector.Our parts cover such applications as commercial,industrial, and automotives areas.

We are looking forward to setting up business relationship with you and hope to provide you with the best service and solution. Let us make a better world for our industry!



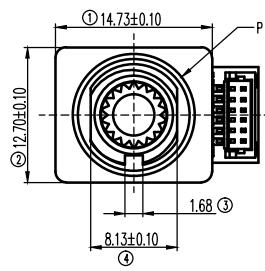
Contact us

Tel: +86-755-8981 8866 Fax: +86-755-8427 6832

Email & Skype: info@chipsmall.com Web: www.chipsmall.com

Address: A1208, Overseas Decoration Building, #122 Zhenhua RD., Futian, Shenzhen, China





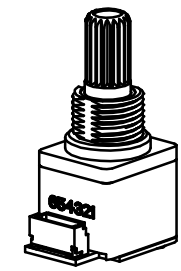
Series ENC series encoder
 Type OS Optical model S(STD)
 Positions 16
 * 16=16 Position or 22.5°
 20=20 Position or 18°
 24=24 Position or 15°
 *(Currently available)

Terminations
 C=Connector

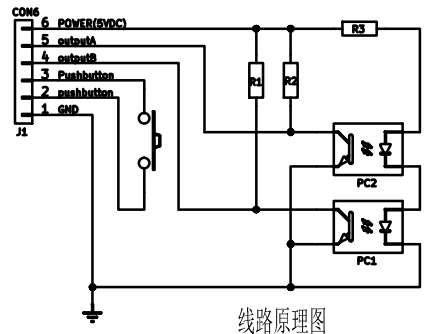
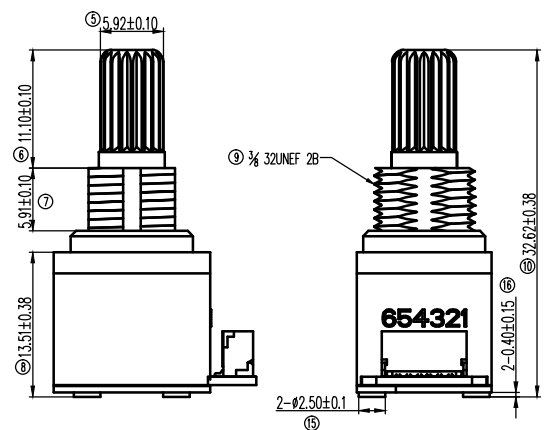
Operating Voltage
 3=3.3V
 5=5V

Switch
 00=Without switch
 S3=Switch 3N op force
 S6=Switch 6N op force

Detent
 D2=200gf-cm Torque
 D3=300gf-cm Torque



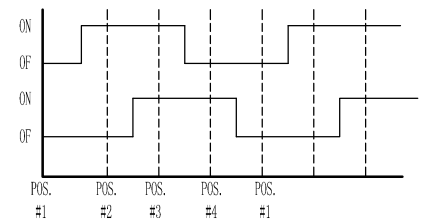
3D MODEL



线路原理图
 circuitry diagram

Note:
 Optional: Wires and connector can be ordered separately

Position	Out put A	Out put B
#1	○	○
#2	○	○
#3	○	○
#4	○	○



○ Indicates logic low
 ○ Indicates logic high
 Code repeats every four positions

OutputA (v)	<1.0	>3.0	>3.0	<1.0
OutputB (v)	<1.0	<1.0	>3.0	>3.0

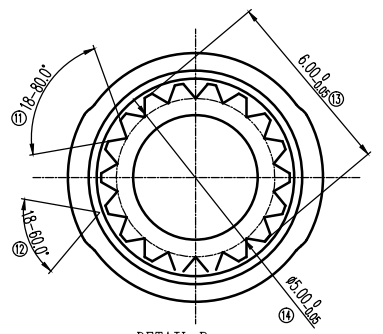
Operating Voltage :5V

OutputA (v)	<0.8	>2.3	>2.3	<0.8
OutputB (v)	<0.8	<0.8	>2.3	>2.3

Operating Voltage :3.3V

规格 Specifications

额定负荷 Ratings	See above selection	
初期接触电阻 Initial Contact Resistance	10 Ω Max.	
绝缘电阻 Insulation Resistance	DC 500 V 60 Sec. 10 MΩ Min.	
抗电强度 Dielectric Voltage	AC 500V(50~60Hz) 60 Sec.	
操作力 Operating Force	旋转 Rotational Torque	See above selection ±30%
	推按 Push	See above selection ±20%
负荷寿命 Operating life with load	旋转 Rotary	300K cycles
	推按 Push	
接触行程 Travel for electrical contact	旋转 Rotary	See above selection
	推按 Push	0.74±0.2mm



DETAIL:P
 3:1

DWG NO. ITEM3934

REV	ECO	DESCRIPTION	SIGN.	DATE	CONFIDENTIAL: This document and the information in it is the exclusive property of C&K Components and not to be used or disclose without the express written permission of C&K Components.	OTHERWISE SPEC.	TITLE	Encoder	ITEM NO	ENCOS XX XX XX X X	C&K®		
						UNDER	±0.10	DRAWN		VERSION		P01	PAGE 1 OF 1
						1 -- 10	±0.30	RECEIVED		SCALE			UNIT
						OVER 10	±0.50	APPROVED		PROJECTION			