



Chipsmall Limited consists of a professional team with an average of over 10 year of expertise in the distribution of electronic components. Based in Hongkong, we have already established firm and mutual-benefit business relationships with customers from,Europe,America and south Asia,supplying obsolete and hard-to-find components to meet their specific needs.

With the principle of “Quality Parts,Customers Priority,Honest Operation,and Considerate Service”,our business mainly focus on the distribution of electronic components. Line cards we deal with include Microchip,ALPS,ROHM,Xilinx,Pulse,ON,Everlight and Freescale. Main products comprise IC,Modules,Potentiometer,IC Socket,Relay,Connector.Our parts cover such applications as commercial,industrial, and automotives areas.

We are looking forward to setting up business relationship with you and hope to provide you with the best service and solution. Let us make a better world for our industry!



Contact us

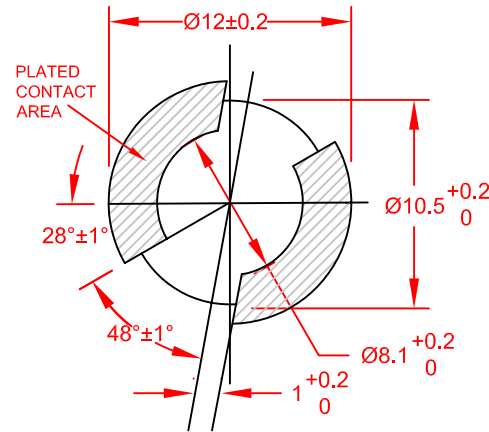
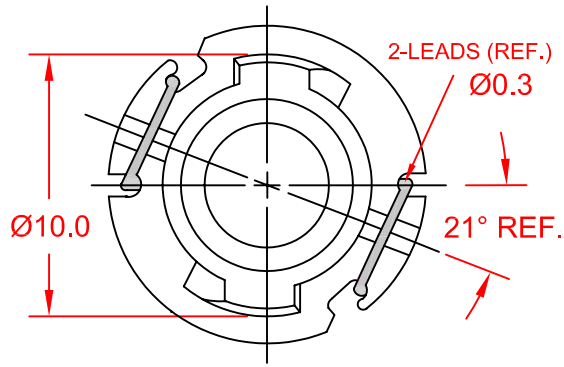
Tel: +86-755-8981 8866 Fax: +86-755-8427 6832

Email & Skype: info@chipsmall.com Web: www.chipsmall.com

Address: A1208, Overseas Decoration Building, #122 Zhenhua RD., Futian, Shenzhen, China

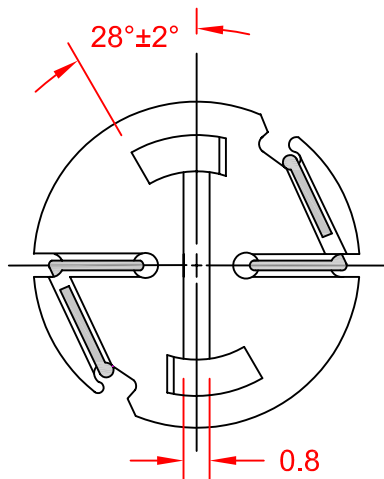
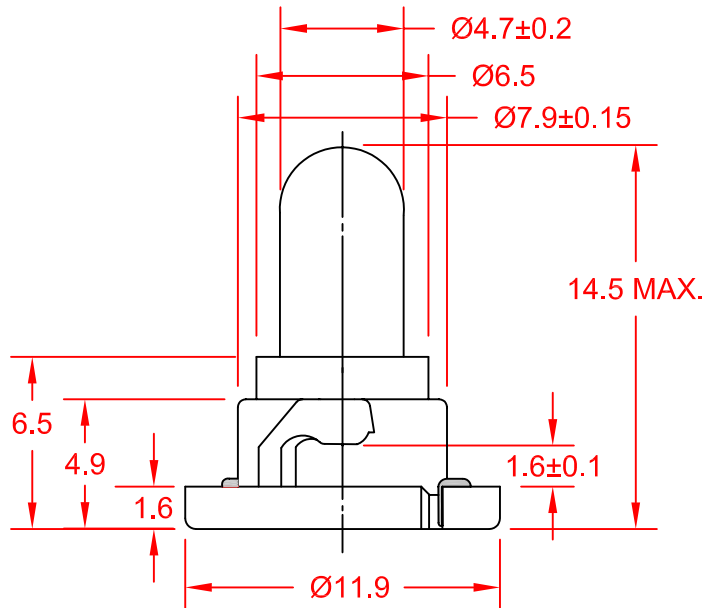


REV.	DESCRIPTION/ECO NO.	DATE
	RELEASED	9/21/83
H	CHANGE TO METRIC	11/9/98
I	DRAWING CONVERTED TO CAD- ADD LAMP EW87	1/5/00
J	LAMPS EW46, EW08, EW26, EW27, EW40, EW50, EW61, EW84, EW88	2/1/00
K	CHANGE ENW1-EW48 & ENW1-EW07 TO Pb FREE	3/29/05



PC BOARD PUNCH PATTERN

(NO TREATMENT SUCH AS APPLICATION OF FLUX, SHALL BE DONE.)



JKL LAMP NUMBER	VOLTS RATED	AMPS ±10%	*MSCP ±25%	*LUMENS ±25%	AVERAGE LIFE HRS.	FILAMENT TYPE
ENW1-EW44	12.0	.040	.090	1.13	10,000	C-2V
**ENW1-EW48	14.0	.040	.150	1.89	16,000	C-2V
**ENW1-EW07	14.0	.080	.300	3.77	15,000	C-2V
ENW1-EW10	14.0	.100	.500	6.29	10,000	C-2F
ENW1-EW33	14.0	.125	.700	9.00	10,000	C-2F
ENW1-EW87	14.0	.140	.950	12.00	7,000	C-2V

* LAMP RATED ONLY (NOT IN BASE).

** LAMP GLASS AND BASE ASSEMBLY (Pb) FREE.

CONTACT JKL FOR LEAD (Pb) FREE LOT IDENTIFICATION.

<p>METRIC THIRD ANGLE PROJECTION</p>	<p>DIMENSIONS ARE IN MILLIMETERS</p> <p>TOLERANCE UNLESS OTHERWISE SPECIFIED</p> <p>1 PL +/- 0.2</p> <p>2 PL +/- 0.20</p> <p>ANGLE +/- 0</p>	<h1>JKL COMPONENTS CORPORATION</h1>			
	<p>TITLE T-1 1/2 NEO-WEDGE BASE WITH MULTIPLE LAMP LISTING</p>				
<p>DRAWN BY L. WENGSTROM</p>	<p>APP'VD BY J.K.</p>	<p>DATE 3/29/05</p>	<p>SIZE A</p>	<p>FSCM NO. 55335</p>	<p>DRAWING NO. ENW1-MULTI</p>
<p>- CAD DRAWING - MANUAL REVISIONS NOT PERMITTED</p>			<p>SCALE NONE</p>	<p>RELEASED DATE 9/21/83</p>	<p>REVISION DATE 3/29/05</p>
				<p>REV. NO. K</p>	<p>SHEET 1 OF 1</p>