



Chipsmall Limited consists of a professional team with an average of over 10 year of expertise in the distribution of electronic components. Based in Hongkong, we have already established firm and mutual-benefit business relationships with customers from,Europe,America and south Asia,supplying obsolete and hard-to-find components to meet their specific needs.

With the principle of “Quality Parts,Customers Priority,Honest Operation,and Considerate Service”,our business mainly focus on the distribution of electronic components. Line cards we deal with include Microchip,ALPS,ROHM,Xilinx,Pulse,ON,Everlight and Freescale. Main products comprise IC,Modules,Potentiometer,IC Socket,Relay,Connector.Our parts cover such applications as commercial,industrial, and automotives areas.

We are looking forward to setting up business relationship with you and hope to provide you with the best service and solution. Let us make a better world for our industry!



Contact us

Tel: +86-755-8981 8866 Fax: +86-755-8427 6832

Email & Skype: info@chipsmall.com Web: www.chipsmall.com

Address: A1208, Overseas Decoration Building, #122 Zhenhua RD., Futian, Shenzhen, China



PRODUCT NUMBER	PITCH
EOxx01x2A0J0G	5.00 mm

N = Number of poles
 Dim A=Nx5.0+0.40
 Dim B=(N-1)x5.0

POLES	Tolerance
2P	±0.10
3-6p	±0.15
7-12p	±0.20
13-18p	±0.30
19-24p	±0.40

PART NO.: EO xx 01 x 2 A0J0 G

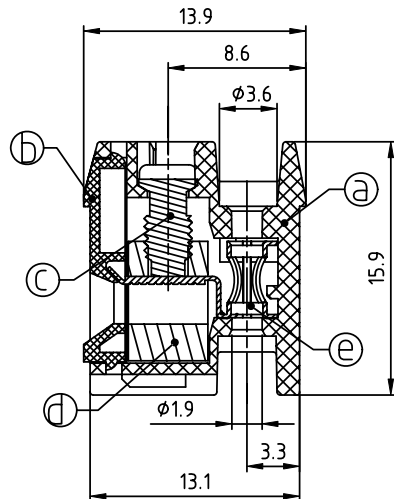
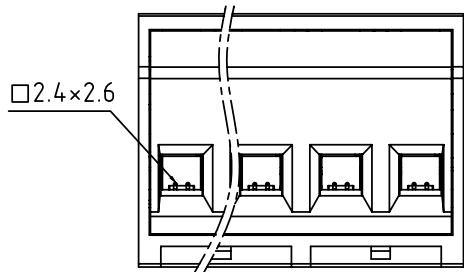
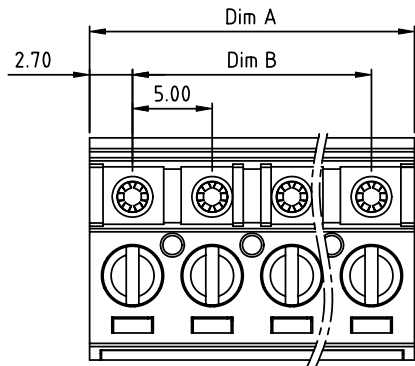
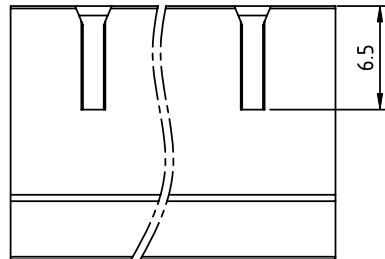
- | | | |
|---|---|--|
| Solid block
No. of poles
02 2 poles
03 3 poles
...
24 24 poles | Body Color
0 Black (RAL9005)
2 Red (RAL3001/D)
3 Orange(RAL2011/P)
4 Yellow(RAL1018/A)
5 Green(RAL6018/T)
6 Blue (RAL5015/A)
8 Grey(RAL7035/D)
9 White(RAL1102)
C Green(RAL6018/U) | RoHS compliant
(lead<4%)
In copper Alloy |
|---|---|--|

Material

- Item (a) Terminal housing: Thermoplastic (UL94V-0)
- Item (b) Terminal cover: Thermoplastic (UL94V-0)
- Item (c) Terminal screw: Steel Zinc plating "- "type
- Item (d) Clamp: Brass, Ni plated
- Item (e) Female contact: PhBz, Tin plated

Electrical

- Voltage rating: 300V
- Current rating: 15A
- Wire range:
- Solid wire(AWG): 12-28
- Stranded wire(AWG): 12-28
- Torque: 4.5Lb-In
- Screw: M3
- Wire strip length: 5-6mm
- Withstanding Voltage: 1.6KV
- Operating temperature: -40°C to +115°C
- Safety Approval:



mat'l. code		surface ASME Y14.5 ✓	tolerance ASME Y14.5	projection 	product family TERMINAL BLOCK	
ltr	ecn no	dr	date	MM ← →	title TERMINAL BLOCK	
tolerances unless otherwise specified						
angles		φ	X.±0.5	scale	PLUGGABLE, 180D WIRE INLET, SOLID BLOCK, HIGH TYPE	
X°±1'			X.X±0.3			
			X.XX±0.1		dwg no sheet 1 of 1 size	
dr	EVIN ZHONG	041714			EOxx01x2A0J0G	A4
enr	EVIN ZHONG	041714				
chr	HANKE FENG	041714				
appd	SHI JUN	041714			type CUSTOMER Drawing	
sheet index	revision sheet	A	1			