



Chipsmall Limited consists of a professional team with an average of over 10 year of expertise in the distribution of electronic components. Based in Hongkong, we have already established firm and mutual-benefit business relationships with customers from,Europe,America and south Asia,supplying obsolete and hard-to-find components to meet their specific needs.

With the principle of “Quality Parts,Customers Priority,Honest Operation,and Considerate Service”,our business mainly focus on the distribution of electronic components. Line cards we deal with include Microchip,ALPS,ROHM,Xilinx,Pulse,ON,Everlight and Freescale. Main products comprise IC,Modules,Potentiometer,IC Socket,Relay,Connector.Our parts cover such applications as commercial,industrial, and automotives areas.

We are looking forward to setting up business relationship with you and hope to provide you with the best service and solution. Let us make a better world for our industry!



Contact us

Tel: +86-755-8981 8866 Fax: +86-755-8427 6832

Email & Skype: info@chipsmall.com Web: www.chipsmall.com

Address: A1208, Overseas Decoration Building, #122 Zhenhua RD., Futian, Shenzhen, China





EOL3-20K

In-Line Fused 3-Pole Surge Protector

With End-of-life Indicator, For LED Drivers, Patent-pending

Intelligent Device
ECOSYSTEM
classic

Features

EOL3-277-20KA is designed for use in conjunction with LED Drivers to provide an additional level of protection against powerline disturbances in industrial and commercial applications.

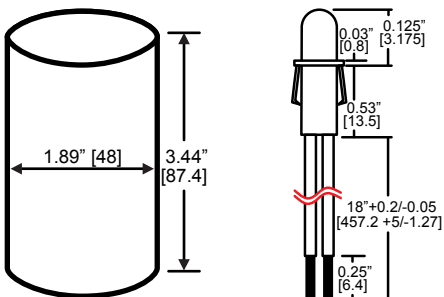
- This 4-leaded device protects Line-Ground, Line-Neutral, and Neutral-Ground in accordance with IEEE / ANSI C62.41.2 guidelines
- Provides additional protection at End-of-Life by opening voltage to the fixture and turning off the fixture
- LED indicator will light when the EOL3 has reached End-of-Life. This provides positive indication that the EOL3 needs to be replaced.
- Indicator flashes at "power-up" to provide confirmation that LED is functional.
- Two models:
 - EOL3-277-20KA-L includes a local LED indicator (blue)
 - EOL3-277-20KA-R is designed to operate a remotely-mounted LED indicator (*Purchased separately.*)
- Protects against surges and transients per ANSI C62.41-2002 category C high (10KV, 1.2/50µS & 10KA, 8/20µS) standard Combo waves and (6KV, 100KHz) Ring wave
- Protects against surges and transients per new ANSI C82.77-5 2015 category C high (20KV, 1.2/50µS & 10KA, 8/20µS) standard Combo waves and (6KV, 100KHz) Ring wave
- 7.0 Amp maximum load
- UL Recognized Component in the United States and Canada (UL1449)
- Complies with IEC 61643-11; 8.3.4.3
- High temp, flameproof plastic enclosure; 85°C max surface temp rating
- Remote-mount LED indicator assembly requires a 0.25" mounting hole
- Patent Pending
- 277V Models: Protection for LED drivers capable of operating at 277V input voltage or with universal input range of 120V through 277V. Not suitable for 120V- or 240V-only devices.



Model	Mains Voltage	Continuous Max Voltage Rating		Max Clamping Voltage 8/20 µS @ 20kA	LED	UL1449
		AC	DC			
EOL3-277-20KA-L	277V	320	420	1600	Local	●
EOL3-277-20KA-R	277V	320	420	1600	Remote	●
EOL3-LED-18-B		LED (blue) assembly with 18" leads				

Dimensions

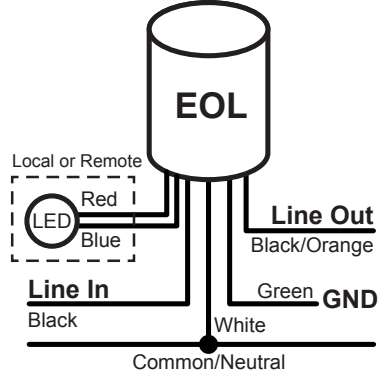
Leads: 6", stripped 0.63" Weight: 0.6 lbs / 272g



Pulse rating (8 x 20 µSec)	
Strikes	Surge
1	20,000 A
2	15,000 A
15	10,000 A
120	3,000 A

cRUus	
I _n	10kA

Wiring



★ **MADE IN USA** ★
Of Imported And Domestic Components

