



Chipsmall Limited consists of a professional team with an average of over 10 year of expertise in the distribution of electronic components. Based in Hongkong, we have already established firm and mutual-benefit business relationships with customers from,Europe,America and south Asia,supplying obsolete and hard-to-find components to meet their specific needs.

With the principle of “Quality Parts,Customers Priority,Honest Operation,and Considerate Service”,our business mainly focus on the distribution of electronic components. Line cards we deal with include Microchip,ALPS,ROHM,Xilinx,Pulse,ON,Everlight and Freescale. Main products comprise IC,Modules,Potentiometer,IC Socket,Relay,Connector.Our parts cover such applications as commercial,industrial, and automotives areas.

We are looking forward to setting up business relationship with you and hope to provide you with the best service and solution. Let us make a better world for our industry!



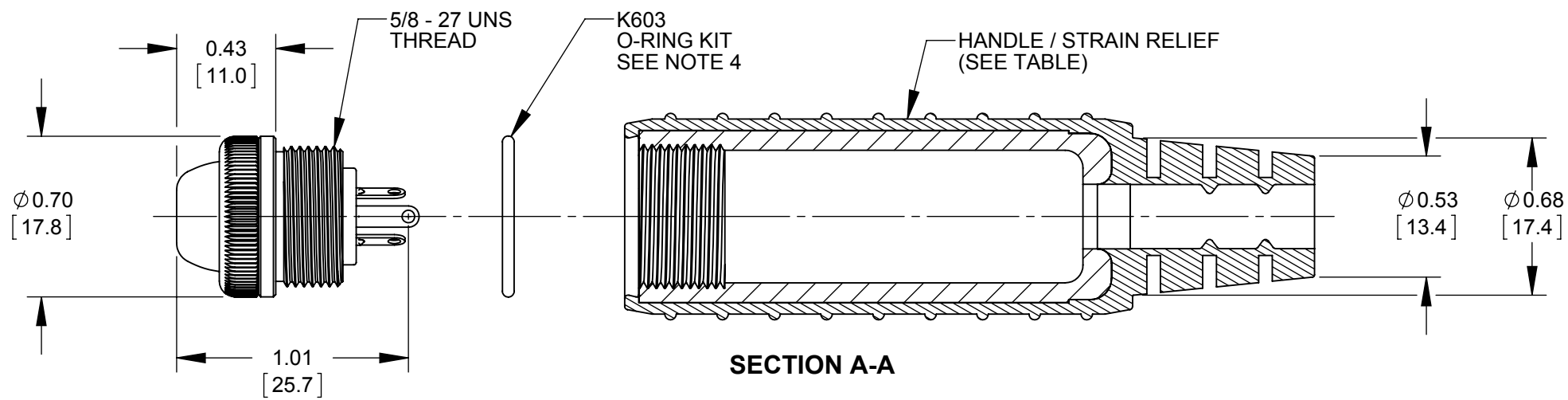
Contact us

Tel: +86-755-8981 8866 Fax: +86-755-8427 6832

Email & Skype: info@chipsmall.com Web: www.chipsmall.com

Address: A1208, Overseas Decoration Building, #122 Zhenhua RD., Futian, Shenzhen, China

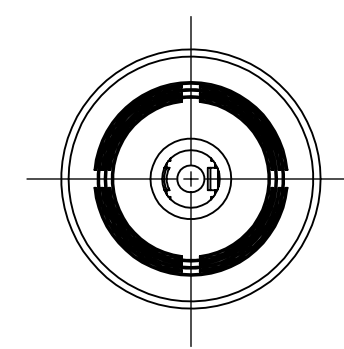
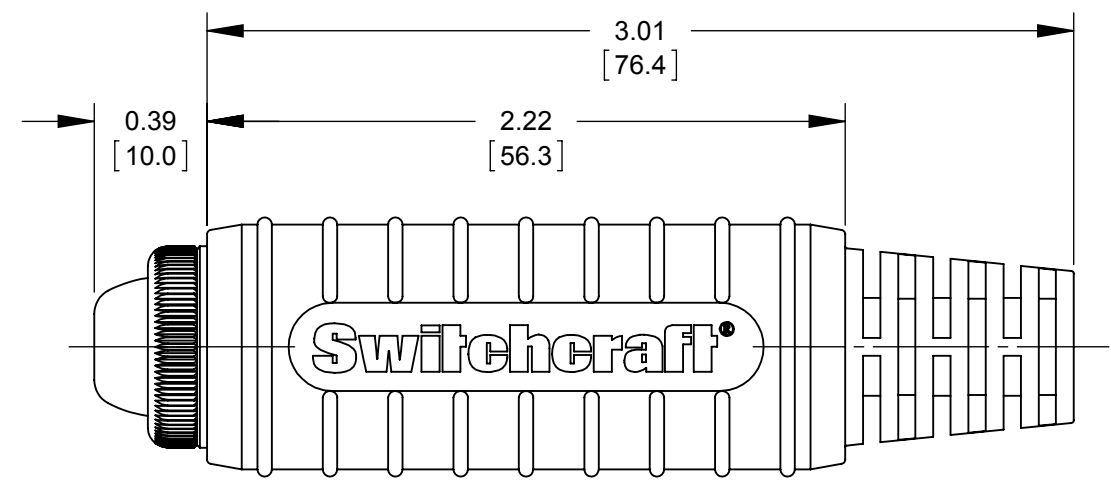
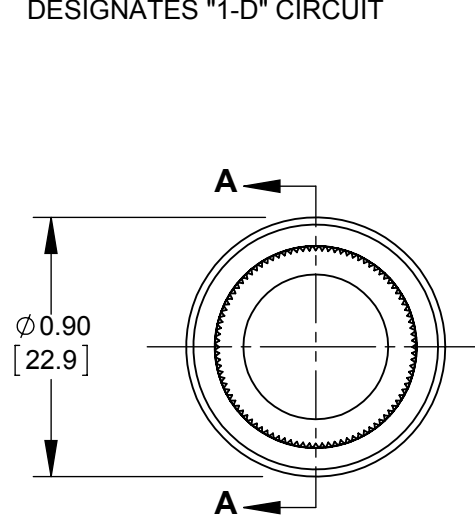
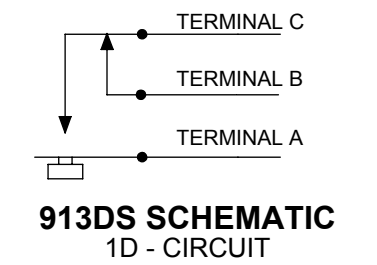
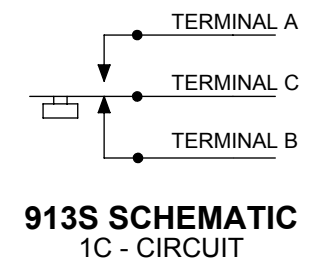
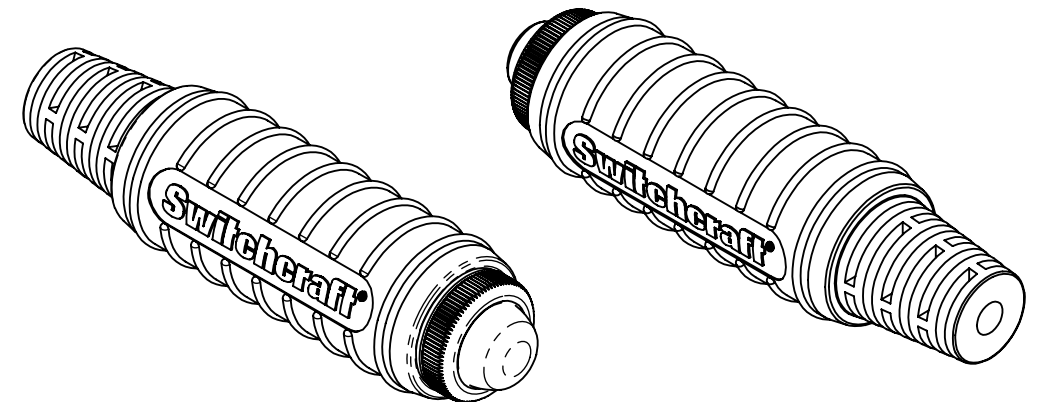




913S/913DS MOMENTARY SWITCH
 HOUSING - NICKEL PLATED, COPPER ALLOY
 BUTTON SEAL - THERMOPLASTIC, BLACK
 INSULATORS - RIGID PLASTIC
 TERMINALS - SILVER PLATED, COPPER ALLOY
 O-RING - THERMOPLASTIC RUBBER

WHITE DOT ON BACK OF SWITCH
 DESIGNATES "1-D" CIRCUIT

SEALING HANDLE
 HANDLE - THERMOPLASTIC, BLACK
 OVERMOLD - THERMOPLASTIC RUBBER, BLACK



PART NUMBER	SEALED BUTTON SWITCH	SWITCH CIRCUIT	CABLE NOMINAL O.D. RANGE
EP913S14	913S	1 - C	0.140 - 0.170
EP913S17			0.170 - 0.200
EP913S20			0.200 - 0.230
EP913S23			0.230 - 0.255
EP913DS14	913DS	1 - D	0.140 - 0.170
EP913DS17			0.170 - 0.200
EP913DS20			0.200 - 0.230
EP913DS23			0.230 - 0.255

CUSTOMER DRAWING

- NOTES:
- COMPLETED ASSEMBLY ON CABLE MEETING MINIMUM REQUIREMENT SPECIFICATIONS SHALL MEET IP67 RATING.
 - OUTER JACKET OF CABLE USED IN ASSEMBLY MUST BE SMOOTH, ROUND, FLEXIBLE, AND FALL WITHIN THE SPECIFIED CABLE RANGE PER THE HANDLE.
 - USING CABLE OD CLOSER TO THE CABLE RANGE MAXIMUM PER HANDLE WILL ENSURE A MORE SECURE SEAL.
 - SWITCH AND O-RING SHIPPED UNASSEMBLED.
 - THIS PART IS RoHS COMPLIANT.

					THIS DRAWING DESCRIBES A DESIGN CONSIDERED PROPRIETARY IN NATURE, DEVELOPED AND MANUFACTURED BY SWITCHCRAFT INC. AND IS RELEASED ON A CONFIDENTIAL BASIS FOR IDENTIFICATION PURPOSES ONLY.						
					UNLESS OTHERWISE SPECIFIED	SIZE	WIDTH	MULT	LBS/M	TEMPER	
					1. ALL DIMENSIONS IN INCHES [mm]	FINISH				MATERIAL	
					- TWO PLACE DECIMALS ±0.02 [0.5]	SPEC No.				SPEC No.	
					- THREE PLACE DECIMALS ±0.005 [0.13]	FIRST USED ON		SCALE		Switchcraft®	
					-		3:2				
A	27625	12-9-15	TO	TJK	DATE DRAWN	BY	CHKD	APVD			
REV	ECO NUMBER	DATE	BY	APVD	02/29/12	TS	TS	TJK	SHEET 1 OF 1		
REVISIONS					DO NOT SCALE DRAWING					NAME SEALED CORD SWITCH ASSEMBLY, RoHS	
										PART No. EP913_S_SERIES	REV A