



Chipsmall Limited consists of a professional team with an average of over 10 year of expertise in the distribution of electronic components. Based in Hongkong, we have already established firm and mutual-benefit business relationships with customers from,Europe,America and south Asia,supplying obsolete and hard-to-find components to meet their specific needs.

With the principle of “Quality Parts,Customers Priority,Honest Operation,and Considerate Service”,our business mainly focus on the distribution of electronic components. Line cards we deal with include Microchip,ALPS,ROHM,Xilinx,Pulse,ON,Everlight and Freescale. Main products comprise IC,Modules,Potentiometer,IC Socket,Relay,Connector.Our parts cover such applications as commercial,industrial, and automotives areas.

We are looking forward to setting up business relationship with you and hope to provide you with the best service and solution. Let us make a better world for our industry!



## Contact us

Tel: +86-755-8981 8866 Fax: +86-755-8427 6832

Email & Skype: info@chipsmall.com Web: www.chipsmall.com

Address: A1208, Overseas Decoration Building, #122 Zhenhua RD., Futian, Shenzhen, China





Part No: EPA090100-S/T-SZ

Date: 5/11/2007

Unit: mm

Description: linear power supply

Page No: 1 of 7



### Specifications

Output voltage	9 V ac at 1000 mA	
Rated input voltage	120 V ac	
Primary rated voltage	120 V ac 60 Hz 9 W	
Primary exciting current	30 mA rms max.	
Secondary rated voltage & current	no load voltage (max.)	11.8 V ref
	full load voltage (1000 mA)	9 V $\pm$ 5%
Temperature rise of primary winding (full load)	70°C max. using resistance method	
Insulation resistance	$\geq$ 100 M Ohm at 500 V dc	
HI-POT test	from input to output for 1 min.	1240 V ac at 2 mA
	from input to output for 1 sec.	1600 V ac at 2 mA
	from primary to secondary winding for 1 sec.	1600 V ac at 2 mA
	from primary winding to core for 1 sec.	1600 V ac at 2 mA
	from secondary winding to core for 1 sec.	750 V ac at 2 mA
Safety standards	UL/cUL	
RoHS compliant	yes	
No load power consumption	0.5 W max.	
Efficiency	Energy Star Compliant - Efficiency Level IV	
Test conditions	Ambient temp	40°C $\pm$ 2°C
	Humidity	90-95% 96 hours at Full Load
	Rated voltage	8 hours at full load
Adapter color	Case	black
	Cord	black



**CUI INC**

Part No: EPA090100-S/T-SZ

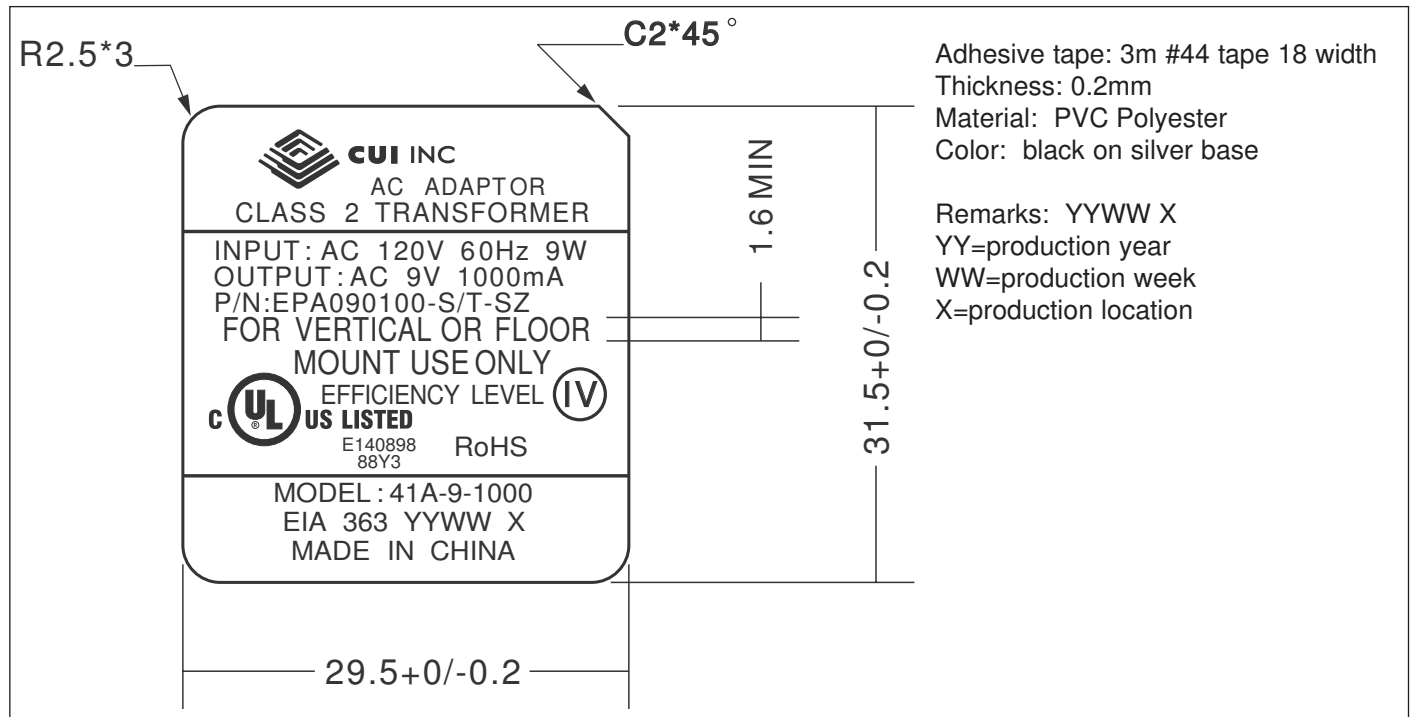
Date: 5/11/2007

Unit: mm

Description: linear power supply

Page No: 2 of 7

**Label**



Adhesive tape: 3m #44 tape 18 width  
Thickness: 0.2mm  
Material: PVC Polyester  
Color: black on silver base

Remarks: YYWW X  
YY=production year  
WW=production week  
X=production location



Part No: EPA090100-S/T-SZ

Date: 5/11/2007

Unit: mm

Description: linear power supply

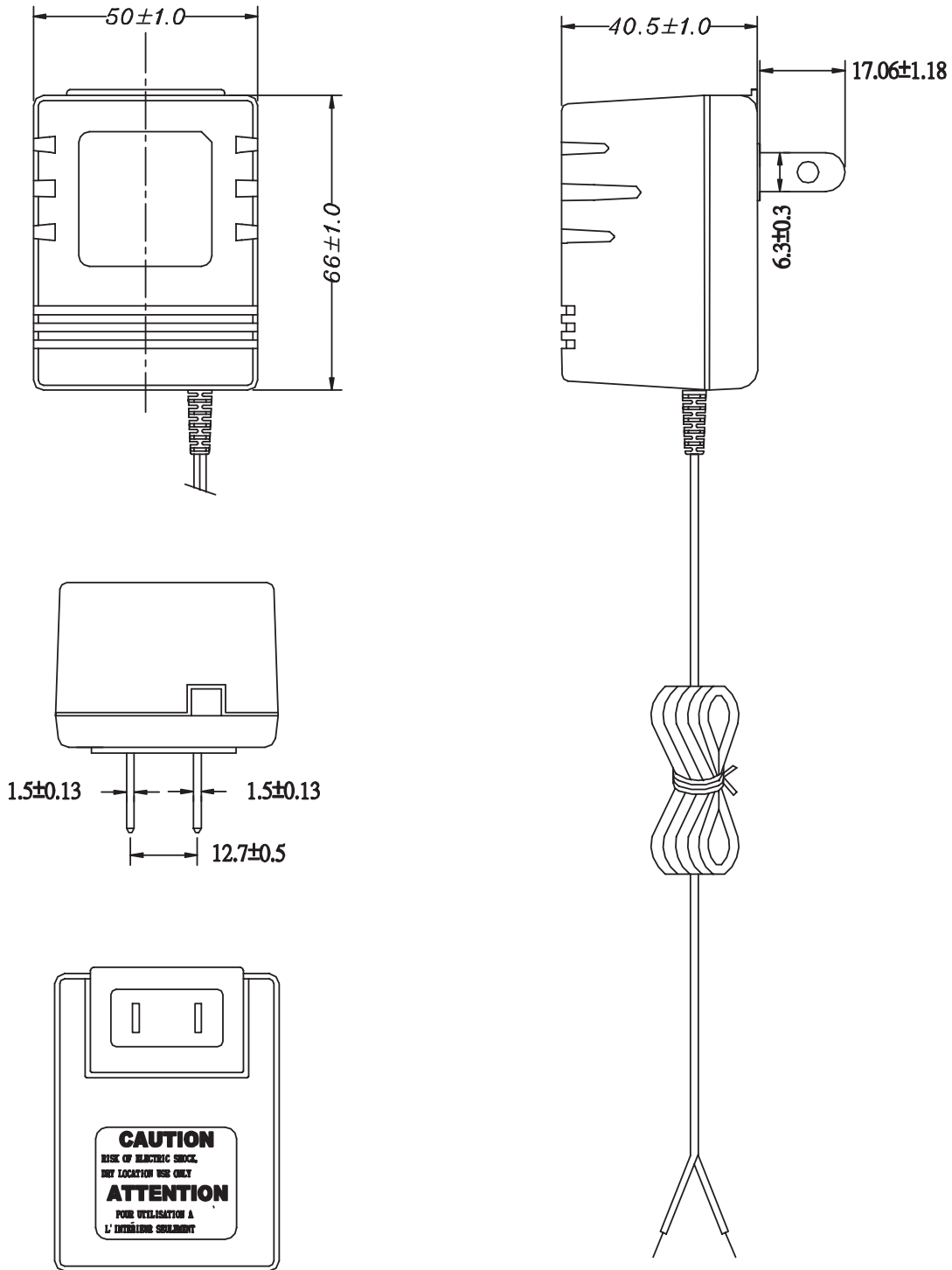
Page No: 3 of 7

### Mechanical Drawing

Tolerance:  $\pm 1$

Weight

330 g





Part No: EPA090100-S/T-SZ

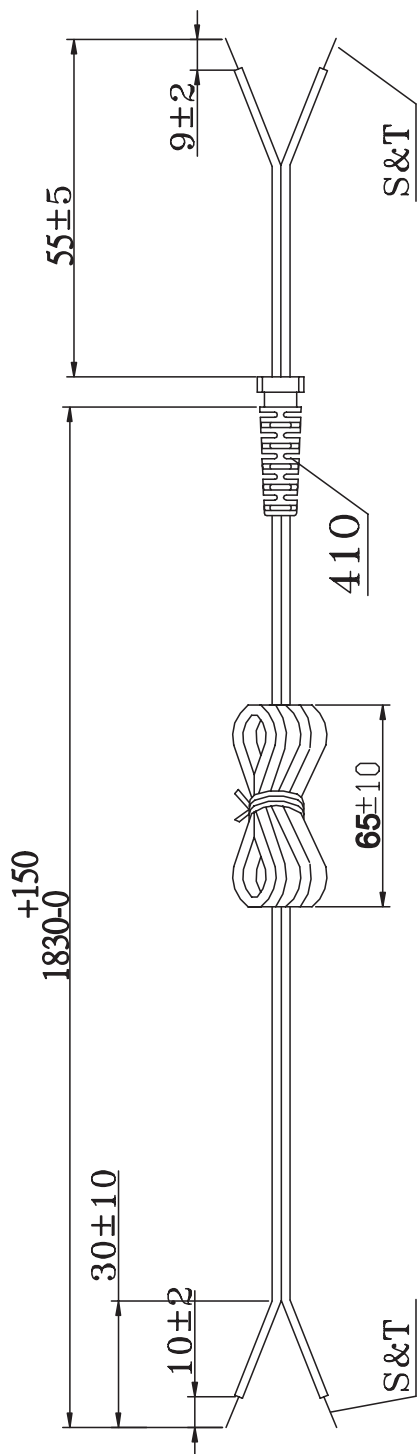
Date: 5/11/2007

Unit: mm

Description: linear power supply

Page No: 4 of 7

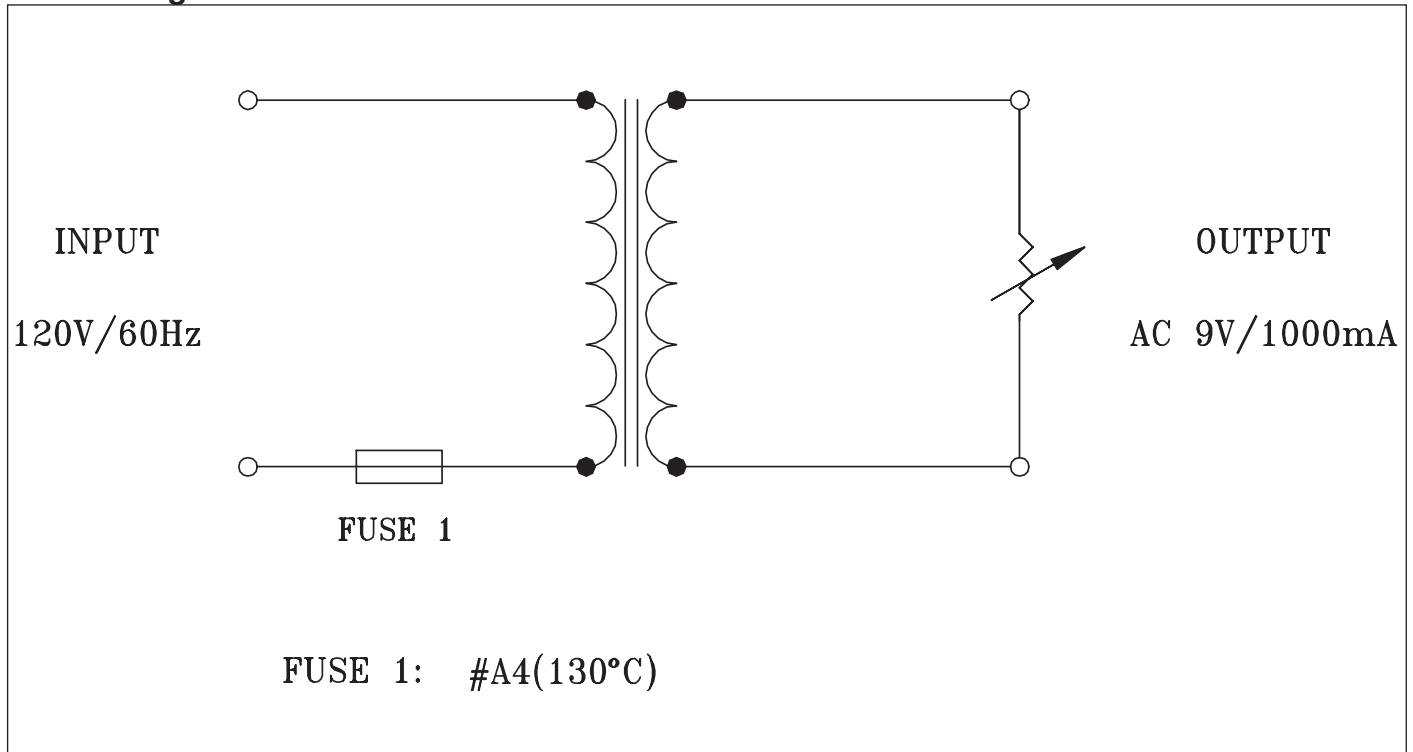
DC Cord



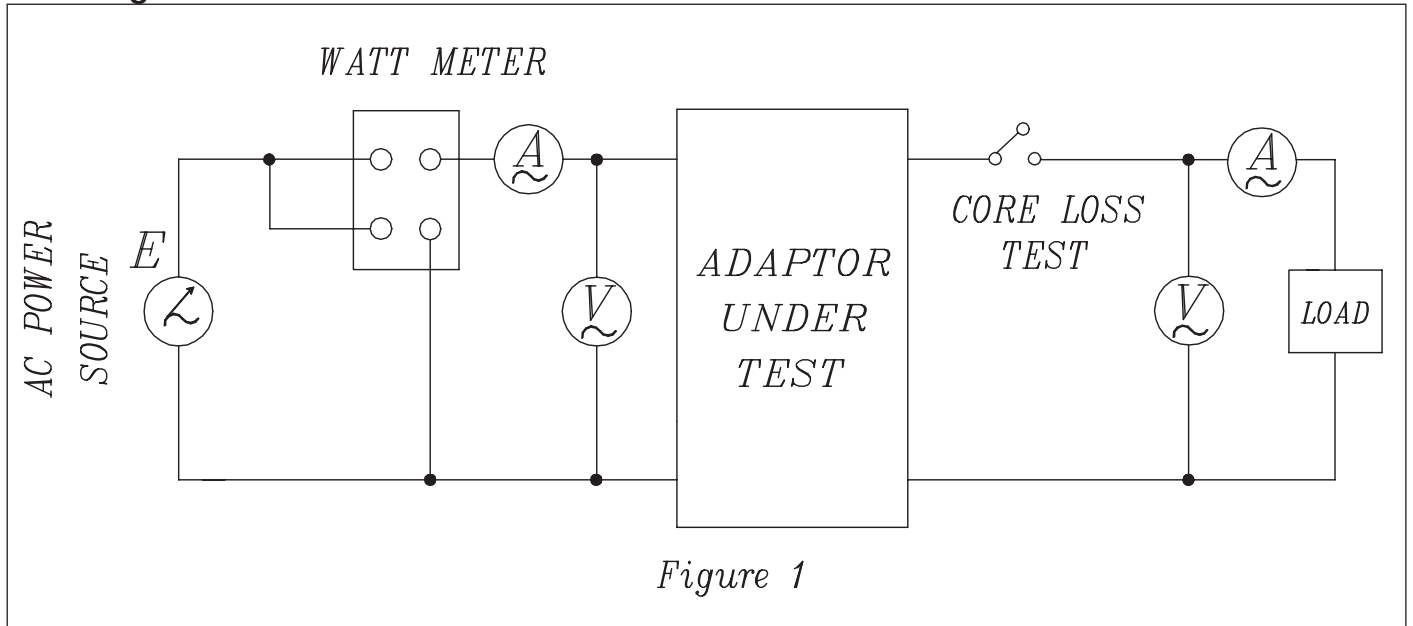
#22AWG X2C BLACK/WHITE WIRE BLACK WIRE IN NEGATIVE, BLACK/WHITE WIRE IN POSITIVE  
 WIRE OD:  $\varnothing 1.8 \times 3.6$

Parameter request	
VIBRATION TEST	a. $\pm 60^\circ$
	b. WEIGHT 200g
	c. 40 ROUND/MINUTE
	d. OVER 1000 COUNT MIN

### Circuit Diagrams



### Test Diagram





Part No: EPA090100-S/T-SZ

Date: 5/11/2007

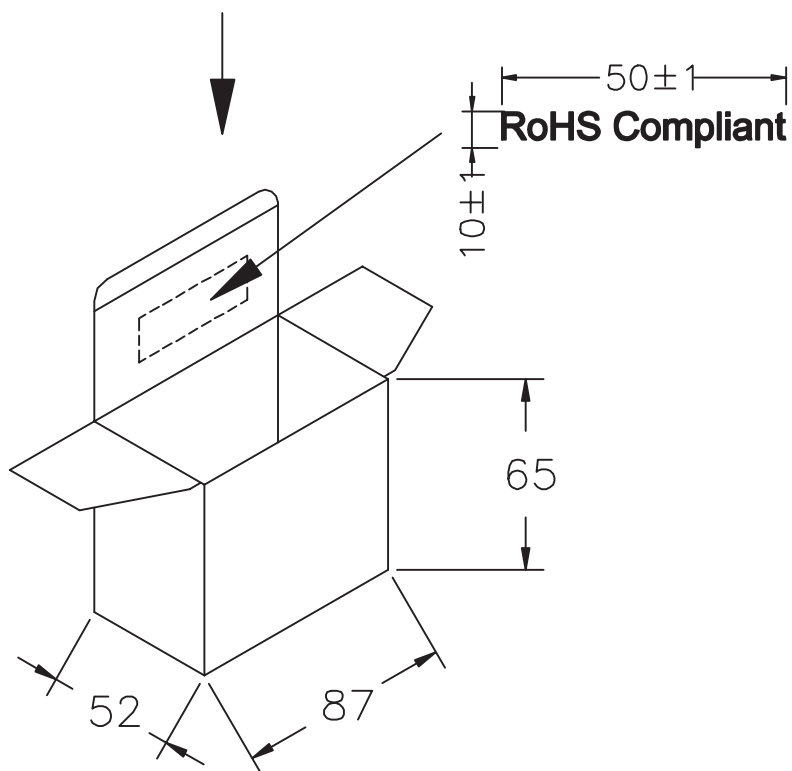
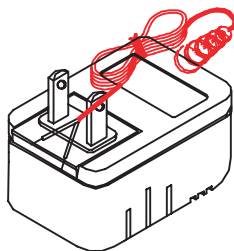
Unit: mm

Description: linear power supply

Page No: 6 of 7

### Individual Packaging

Tolerance:  $\pm 1$





Part No: EPA090100-S/T-SZ

Date: 5/11/2007

Unit: mm

Description: linear power supply

Page No: 7 of 7

## Packaging

Tolerance: +7/-0

EXTERNAL CARTON MATERIAL:A=B(6mm)

CARTON SIZE: 352X286X140mm

Q'TY: 30pcs(15\*2)

