



Chipsmall Limited consists of a professional team with an average of over 10 year of expertise in the distribution of electronic components. Based in Hongkong, we have already established firm and mutual-benefit business relationships with customers from,Europe,America and south Asia,supplying obsolete and hard-to-find components to meet their specific needs.

With the principle of “Quality Parts,Customers Priority,Honest Operation,and Considerate Service”,our business mainly focus on the distribution of electronic components. Line cards we deal with include Microchip,ALPS,ROHM,Xilinx,Pulse,ON,Everlight and Freescale. Main products comprise IC,Modules,Potentiometer,IC Socket,Relay,Connector.Our parts cover such applications as commercial,industrial, and automotives areas.

We are looking forward to setting up business relationship with you and hope to provide you with the best service and solution. Let us make a better world for our industry!



Contact us

Tel: +86-755-8981 8866 Fax: +86-755-8427 6832

Email & Skype: info@chipsmall.com Web: www.chipsmall.com

Address: A1208, Overseas Decoration Building, #122 Zhenhua RD., Futian, Shenzhen, China



**PART NUMBER:** EPA160025-P5-SZ**DESCRIPTION:** linear adapter**SPECIFICATIONS**

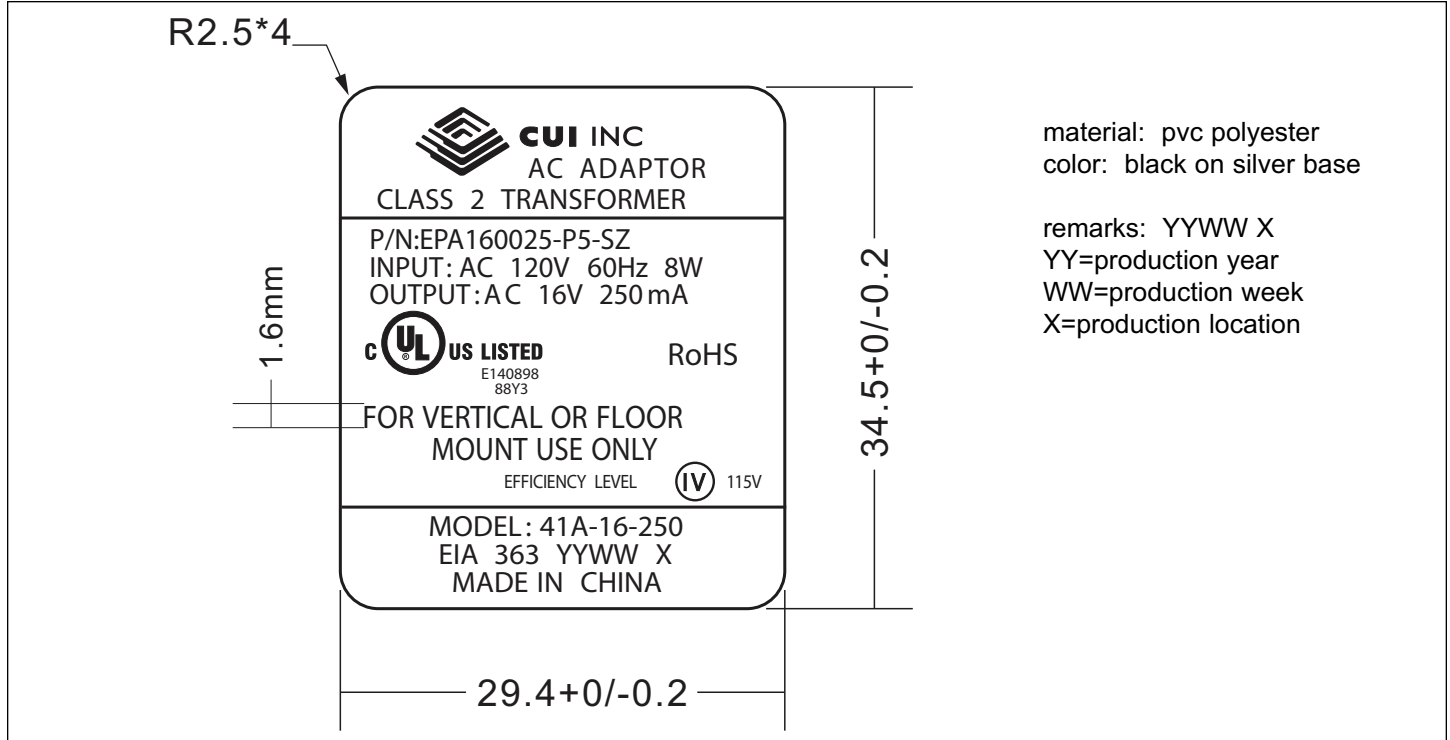
| | | |
|---|--------------------------------------|--------------------------------|
| output voltage | 16 V ac at 250 mA | |
| rated input voltage | 120 V ac | |
| primary rated voltage | 120 V ac 60 Hz 8 W | |
| primary exciting current | 40 mA rms max. | |
| secondary rated voltage & current | no load voltage (max.) | 19.1 V |
| | full load voltage (250 mA) | 16 V \pm 5% |
| temperature rise of primary winding (full load) | 70°C max. using resistance method | |
| insulation resistance | \geq 100 M Ohm at 500 Vdc | |
| HI-POT test | primary to secondary | 1240 V ac at 2 mA for 1 minute |
| | primary to secondary | 1600 V ac at 2 mA for 1 second |
| | primary winding to secondary winding | 1600 V ac at 2 mA for 1 second |
| | primary winding to core | 1600 V ac at 2 mA for 1 second |
| | secondary winding to core | 750 V ac at 2 mA for 1 second |
| safety standard | UL/cUL | |
| weight | 218 g | |
| RoHS compliant | yes | |
| test conditions | ambient temp | 40 \pm 2°C |
| | humidity | 90~95% 96 hours at Full Load |
| adapter color | case | black |
| | cord | black |
| | plug top | black (insulation chip) |



PART NUMBER: EPA160025-P5-SZ

DESCRIPTION: linear adapter

LABEL



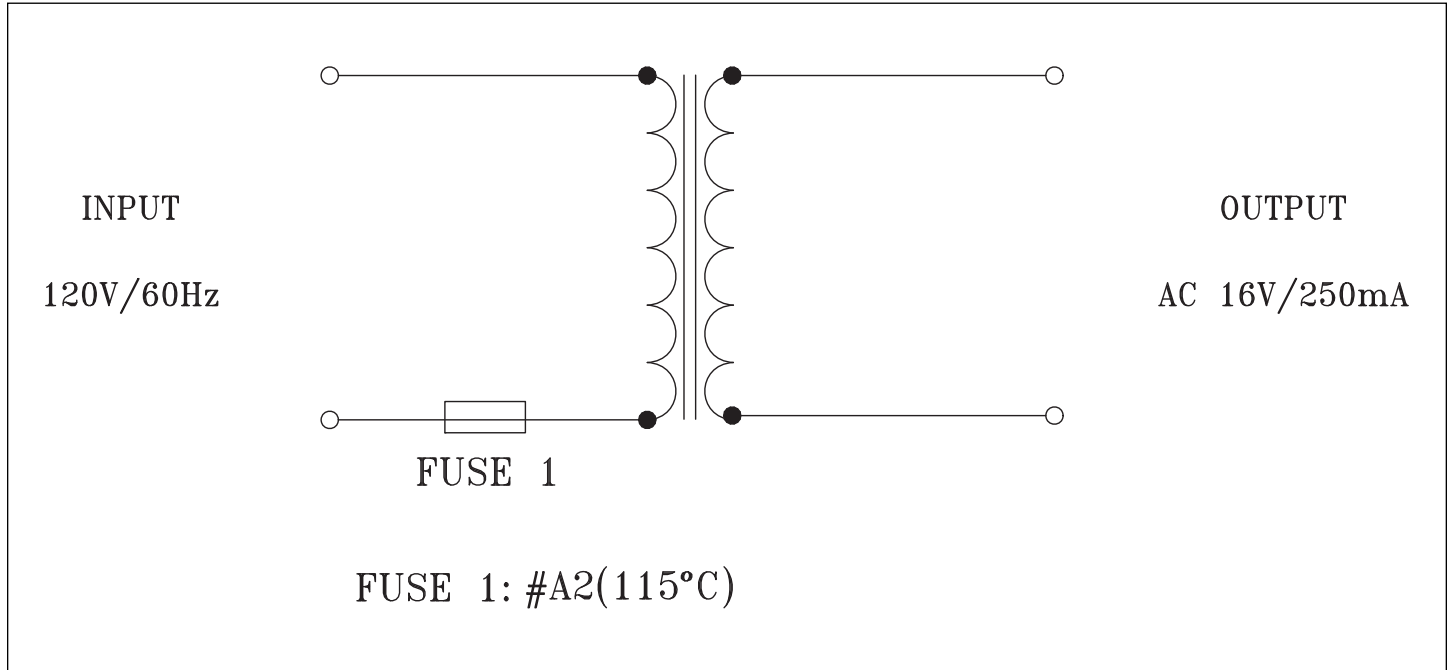
material: pvc polyester
color: black on silver base

remarks: YYWW X
YY=production year
WW=production week
X=production location

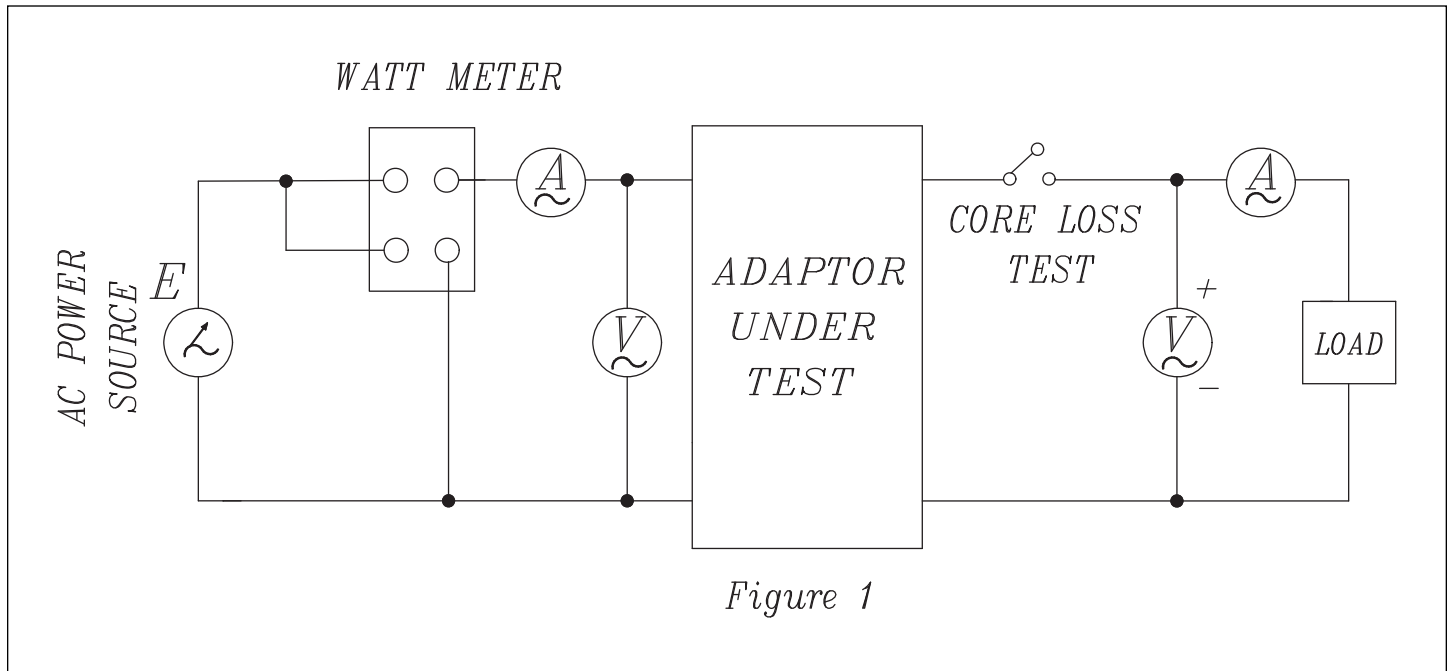
PART NUMBER: EPA160025-P5-SZ

DESCRIPTION: linear adapter

CIRCUIT DIAGRAM



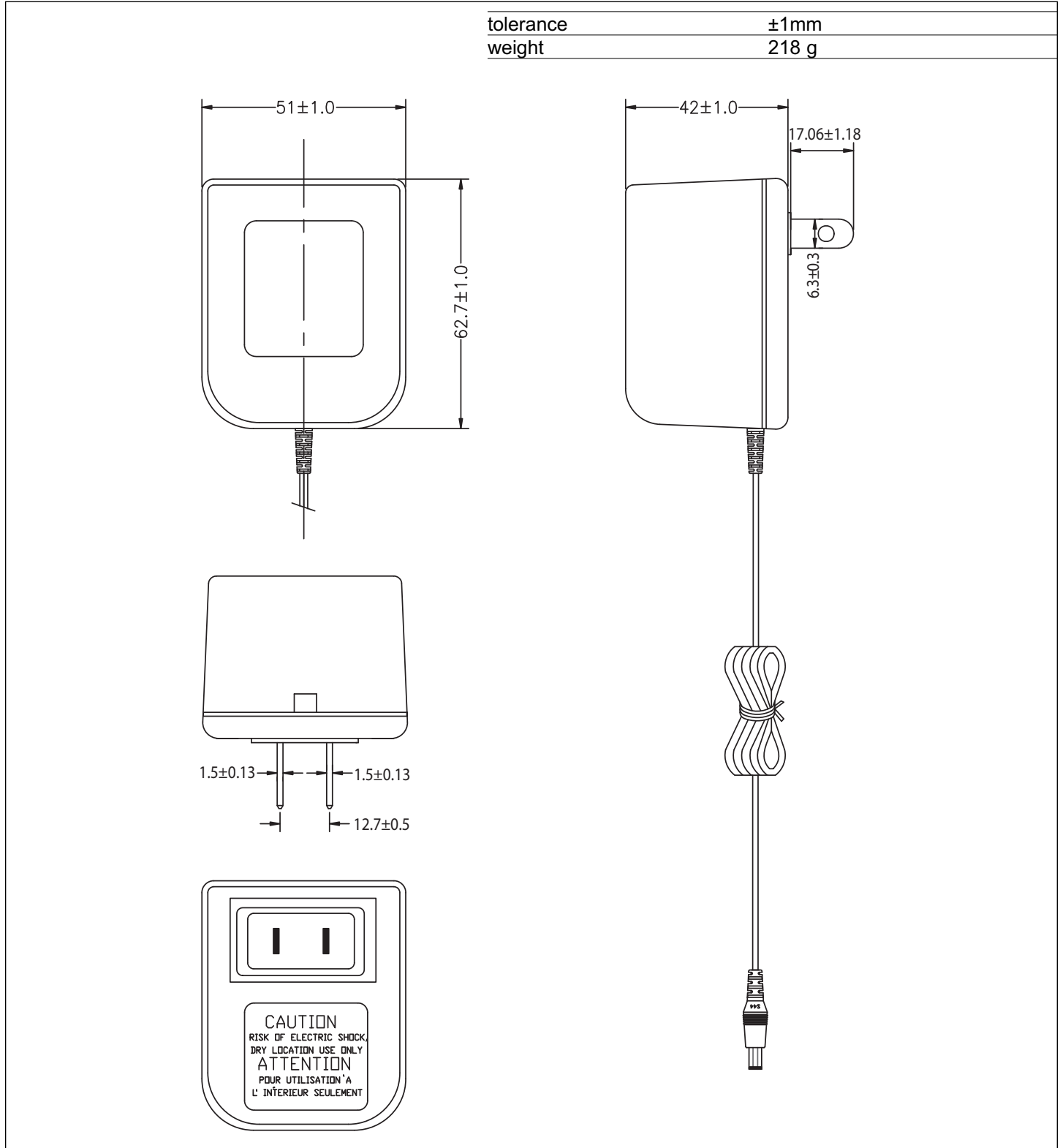
TEST CIRCUIT



PART NUMBER: EPA160025-P5-SZ

DESCRIPTION: linear adapter

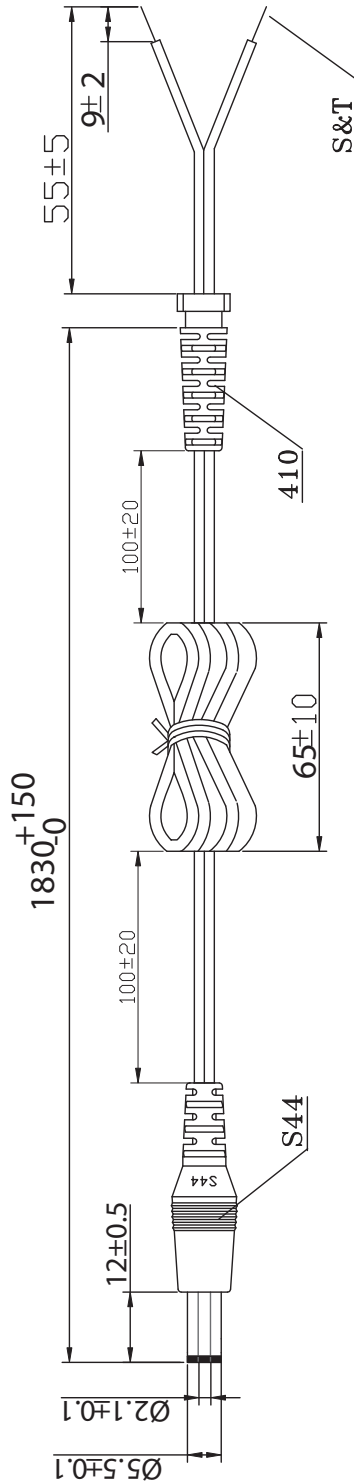
MECHANICAL DRAWING



PART NUMBER: EPA160025-P5-SZ

DESCRIPTION: linear adapter

DC CORD



#24AWG X2C UL2468 HAVE ON WORD WIRE IN OUTER, NO WORD WIRE IN INNER

WIRE OD: Ø 1.5X3.0

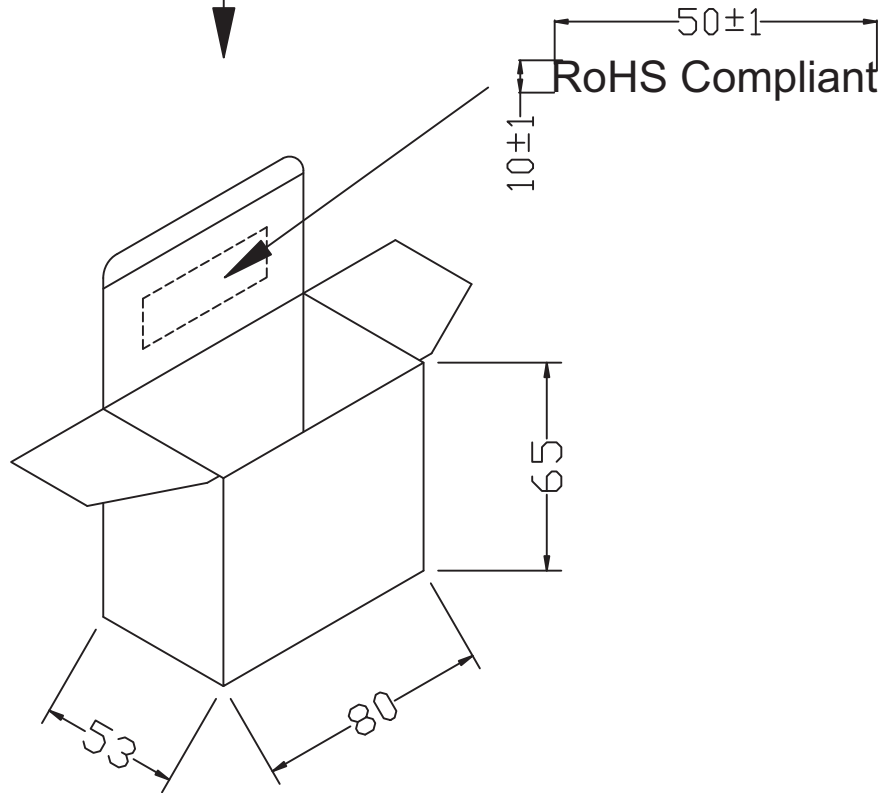
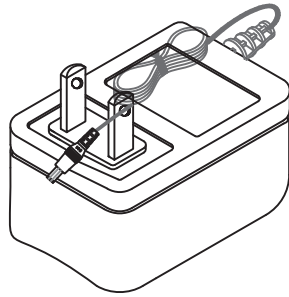
| | |
|----------------|---|
| VIBRATION TEST | Parameter request |
| | a. ±60° b. WEIGHT 200g c. 40 ROUND/MINUTE d. OVER 1000 COUNT MIN |

PART NUMBER: EPA160025-P5-SZ

DESCRIPTION: linear adapter

INDIVIDUAL PACKAGING

tolerance: ± 1



PART NUMBER: EPA160025-P5-SZ

DESCRIPTION: linear adapter

PACKAGING

tolerance: +7/-0

OUTSIDE CARTON:A=B(6mm)
INSIDE CARTON:B3B(3mm)
CARTON SIZE: 350X345X190mm
Q'TY: 60pcs(20x3x1)

