



Chipsmall Limited consists of a professional team with an average of over 10 year of expertise in the distribution of electronic components. Based in Hongkong, we have already established firm and mutual-benefit business relationships with customers from,Europe,America and south Asia,supplying obsolete and hard-to-find components to meet their specific needs.

With the principle of "Quality Parts,Customers Priority,Honest Operation,and Considerate Service",our business mainly focus on the distribution of electronic components. Line cards we deal with include Microchip,ALPS,ROHM,Xilinx,Pulse,ON,Everlight and Freescale. Main products comprise IC,Modules,Potentiometer,IC Socket,Relay,Connector.Our parts cover such applications as commercial,industrial, and automotives areas.

We are looking forward to setting up business relationship with you and hope to provide you with the best service and solution. Let us make a better world for our industry!



Contact us

Tel: +86-755-8981 8866 Fax: +86-755-8427 6832

Email & Skype: info@chipsmall.com Web: www.chipsmall.com

Address: A1208, Overseas Decoration Building, #122 Zhenhua RD., Futian, Shenzhen, China



EPC-R4760

Qualcomm APQ-8016 Cortex-A53 ARM Based Box Computer

NEW



QUALCOMM CE FCC



Features

- Qualcomm ARM® Cortex®-A53 APQ8016 Quad core up to 1.2 GHz
- Onboard 1GB/2GB LPDDR3 memory and 8GB eMMC
- 1 HDMI, 1 RS-232/422/485, 1 GbE, 4 USB 2.0, 8 GPIO
- Highly integrated on-board wireless connectivity - Wi-Fi, BT, and GNSS
- Connectivity expansion capability - M.2, mini-PCIe
- Wide voltage range DC power input
- Support Android, Linux and Debian

Introduction

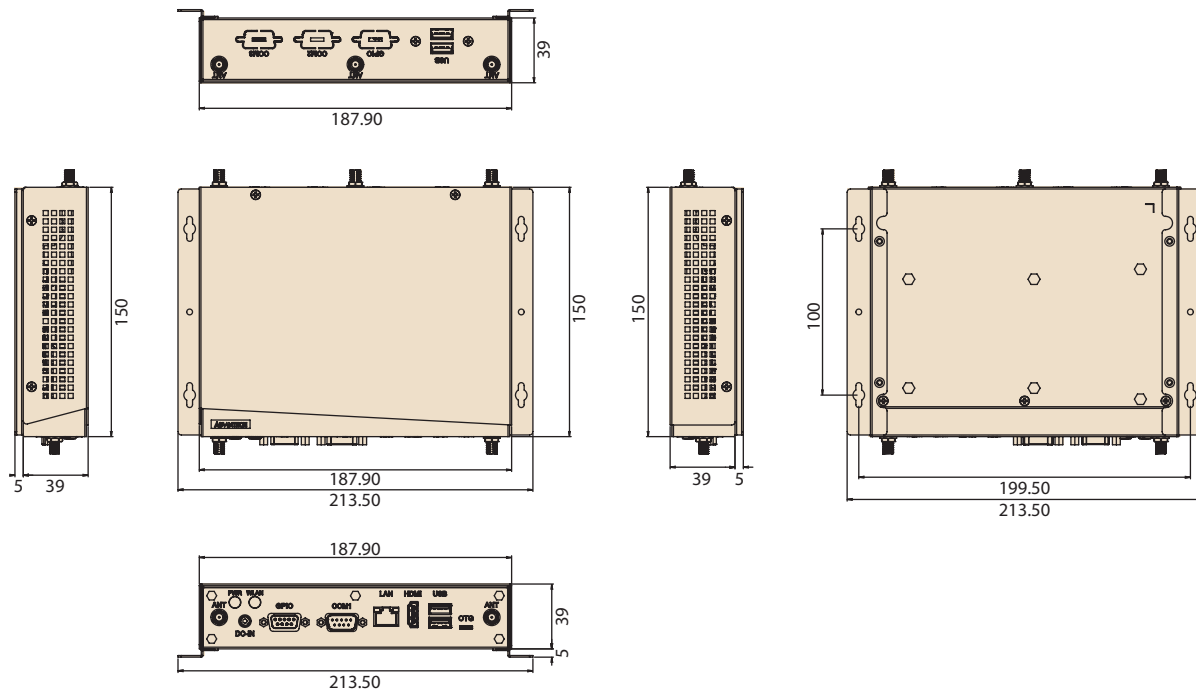
EPC-R4760 is an ARM based Box Computer powered by Qualcomm ARM® Cortex®-A53 APQ8016 processor that supports full HD display and intergrades on board wireless solution – Wi-Fi, BT and GPS. EPC-R4760 also features in mini PCIe, M.2, and SIM card slots for expanding connectivity capability, like 3G, 4G/LTE modules. Equipped with complete Android, Linux and Win10 IoT core BSPs, this box computer enables customers to easily develop unique application on specific OS.

Specifications

Form Factor		ARM-based Box Computer
Processor System	CPU	Quad-core ARM® Cortex® A53 APQ8016
	Technology	LPDDR3 1066MHz
	Capacity	On-board 1GB / 2GB LPDDR3
	Flash	8GB
Graphics	HDMI	1 HDMI, 1920 x 1080 at 60Hz
	H/W Video Codec	Encode: 30 fps 720p (H.264 Baseline/MPEG-4) 30 fps 1080p (MPEG-4/H.264/VP8/H.263) Decode: 30 fps 1080p (MPEG-4/H.264/H.263/DivX/MPEG2/VC1/Soreson/VP8)
Ethernet	Chipset	Microchip LAN7500
	Speed	1 10/100/1000 Mbps
Connectivity	Wi-Fi	WCN3620 802.11 b/g/n 2.4GHz
	Bluetooth	WCN3620 Bluetooth 4.1
	GNSS	WGR7640
RTC		Yes
WatchDog Timer		Yes
Expansion	SD socket	1 x SD socket
	M.2	1 x M.2 2230 Key.E
	mini PCIe	1 x Full size mini PCIe slot (USB signal only)
	SIM	1 x mini-SIM slot
	SATA	-
I/O	SATA Power	-
	USB	4 x USB 2.0 Type A / 1 micro USB client
	Audio	-
	SPDIF	-
	Serial Port	1 x 4 wires RS-232/422/485 via D-SUB 9
	SPI	-
	CAN	-
	GPIO	8 x GPIO via D-SUB 9 (3.3V TTL level)
	I²C	-
	System Bus	-
	Touch	-
	I/R	-
	LED	1 x Power LED, 1 x Wi-Fi&BT LED
	Button	-
	Power	Power Supply Voltage
Power Type		DC-in
Power Consumption		6.2W
Environment	Operational Temperature	0 ~ 40° C
	Operating Humidity	5% ~ 95%
Mechanical	Dimensions (W x D)	188 x 150 x 39 mm
Operating System		Android / Yocto Linux / Debian
Certifications		CE/RED/FCC/IC/SRRC/TELEC

Dimensions

Unit: mm



Ordering Information

Part Number	CPU	Memory	Flash	HDMI	LAN	Serial Port	USB Host	SD	Operating Temperature
EPC-R4760CQ-QNA1E	Qualcomm APQ8016 Quad Core 1.2GHz	1GB	8GB	1	1	1 x 4 wires RS-232/422/485	4	1	0 ~ 40 °C
EPC-R4760CQ-WNA1E	Qualcomm APQ8016 Quad Core 1.2GHz	2GB	8GB	1	1	1 x 4 wires RS-232/422/485	4	1	0 ~ 40 °C

Packing List

Part Number	Description
EPC-R4760	EPC-R4760 Box computer

Optional Accessories

Port Number	Description
96PSA-A36W12R1	Adapter 100-240 36W 12V 3A 9NA0362308
170203183C	Power cord 3P Europe (WS-010+WS-083) 183 cm
170203180A	Power cord 3P UK 2.5A/3A 250 V 1.83 M
1700001524	Power cord 3P UL 10A 125 V 180 cm
1700026931-01	Debug cable
ROM-ED20-00A1E	Debug adapter board
1700008921	Power Cord 3P PSE 183cm