



Chipsmall Limited consists of a professional team with an average of over 10 year of expertise in the distribution of electronic components. Based in Hongkong, we have already established firm and mutual-benefit business relationships with customers from,Europe,America and south Asia,supplying obsolete and hard-to-find components to meet their specific needs.

With the principle of “Quality Parts,Customers Priority,Honest Operation,and Considerate Service”,our business mainly focus on the distribution of electronic components. Line cards we deal with include Microchip,ALPS,ROHM,Xilinx,Pulse,ON,Everlight and Freescale. Main products comprise IC,Modules,Potentiometer,IC Socket,Relay,Connector.Our parts cover such applications as commercial,industrial, and automotives areas.

We are looking forward to setting up business relationship with you and hope to provide you with the best service and solution. Let us make a better world for our industry!



Contact us

Tel: +86-755-8981 8866 Fax: +86-755-8427 6832

Email & Skype: info@chipsmall.com Web: www.chipsmall.com

Address: A1208, Overseas Decoration Building, #122 Zhenhua RD., Futian, Shenzhen, China



Development Board EPC9060/61/62 Quick Start Guide

*Half-bridge with Gate Drive
for EPC2030/31/32*



DESCRIPTION

These development boards are in a half-bridge topology with onboard gate drives, featuring the EPC2030/31/32 eGaN® field effect transistors (FETs). The purpose of these development boards is to simplify the evaluation process of these eGaN FETs by including all the critical components on a single board that can be easily connected into any existing converter.

The development board is 2" x 2" and contains two eGaN FETs in a half-bridge configuration using the Texas Instruments LM5113 gate driver, supply and bypass capacitors. The board contains all critical components and layout for optimal switching performance and has additional area to add buck output filter components on the board. There are also various probe points to facilitate simple waveform measurement and efficiency calculation. A complete block diagram of the circuit is given in Figure 1.

For more information on the EPC2030/31/32 eGaN FETs, please refer to the datasheets available from EPC at www.epc-co.com. The datasheet should be read in conjunction with this quick start guide.

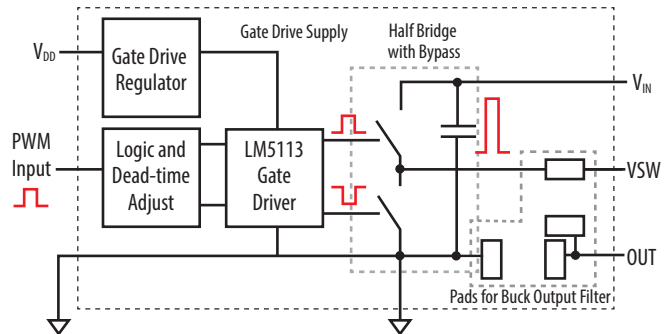


Figure 1: Block Diagram of Development Board

Table 1: Performance Summary (T_A = 25 °C)

Symbol	Parameter	Conditions	Min	Max	Units
V _{DD}	Gate Drive Input Supply Range		7	12	V
V _{IN}	Bus Input Voltage Range	When using 40 V devices, EPC9060		32*	V
		When using 60 V devices, EPC9061		48*	V
		When using 100 V devices, EPC9062		80*	V
V _{OUT}	Switch Node Output Voltage	When using 40 V devices, EPC9060		40	V
		When using 60 V devices, EPC9061		60	V
		When using 100 V devices, EPC9062		100	V
I _{OUT}	Switch Node Output Current	When using 40 V devices, EPC9060		25*	A
		When using 60 V devices, EPC9061		24*	A
		When using 100 V devices, EPC9062		20*	A
V _{PWM}	PWM Logic Input Voltage Threshold	Input 'Low'	3.5	6	V
		Input 'High'	0	1.5	V
	Minimum "High" State Input Pulse Width	V _{PWM} rise and fall time < 10ns	50		ns
	Minimum "Low" State Input Pulse Width	V _{PWM} rise and fall time < 10ns	100#		ns

* Assumes inductive load, maximum current depends on die temperature – actual maximum current will be subject to switching frequency, bus voltage and thermal cooling.

Limited by time needed to 'refresh' high side bootstrap supply voltage.

QUICK START PROCEDURE

The development boards are easy to set up to evaluate the performance of the eGaN FET. Refer to Figure 2 for proper connect and measurement setup and follow the procedure below:

1. With power off, connect the input power supply bus to $+V_{IN}$ (J5, J6) and ground / return to $-V_{IN}$ (J7, J8).
2. With power off, connect the switch node of the half-bridge OUT (J3, J4) to your circuit as required.
3. With power off, connect the gate drive input to $+V_{DD}$ (J1, Pin-1) and ground return to $-V_{DD}$ (J1, Pin-2).
4. With power off, connect the input PWM control signal to PWM (J2, Pin-1) and ground return to any of the remaining J2 pins.
5. Turn on the gate drive supply – make sure the supply is between 7 V and 12 V range.
6. Turn on the bus voltage to the required value (do not exceed the absolute maximum voltage on V_{OUT} as indicated in the table below:
 - a. EPC9060, 40 V
 - b. EPC9061, 60 V
 - c. EPC9062, 100 V
7. Turn on the controller / PWM input source and probe switching operation.
8. Once operational, adjust the bus voltage and load PWM control within the operating range and observe the output switching behavior, efficiency and other parameters.
9. For shutdown, please follow steps in reverse.

NOTE. When measuring the high frequency content switch node (OUT), care must be taken to avoid long ground leads. Measure the switch node (OUT) by placing the oscilloscope probe tip through the large via on the switch node (designed for this purpose) and grounding the probe directly across the GND terminals provided. See Figure 3 for proper scope probe technique.

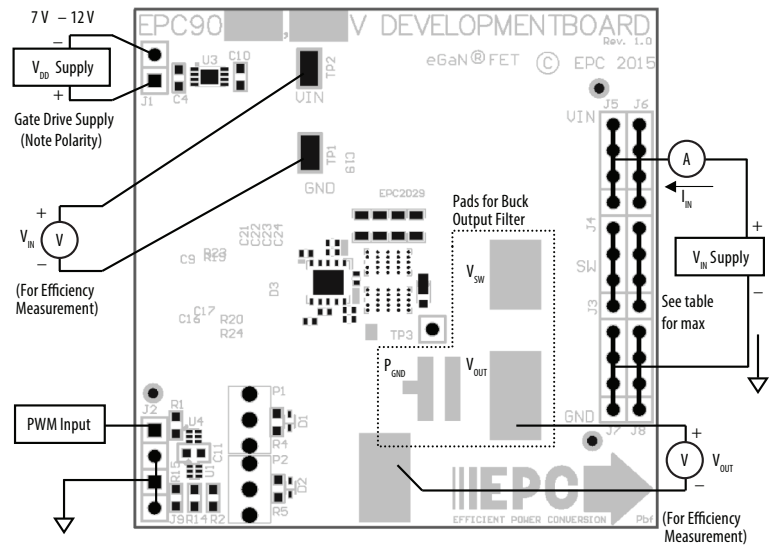


Figure 2: Proper Connection and Measurement Setup

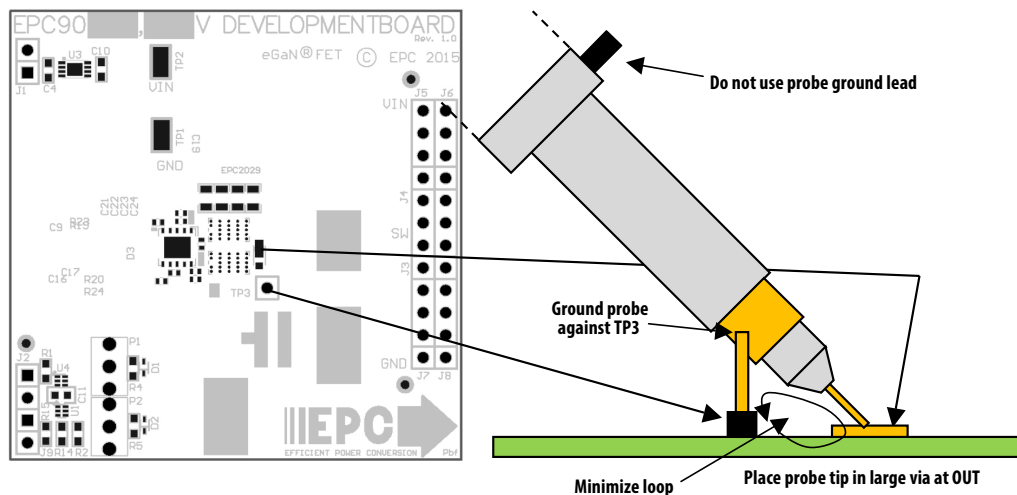


Figure 3: Proper Measurement of Switch Node – OUT

THERMAL CONSIDERATIONS

The EPC9060/61/62 development boards showcase the EPC2030/31/32 eGaN FETs. Although the electrical performance surpasses that for traditional Silicon devices, their relatively smaller size does magnify the thermal management requirements. These development boards are intended for bench evaluation with low ambient temperature and convection cooling. The addition of heat-sinking and forced air cooling

can significantly increase the current rating of these devices, but care must be taken to not exceed the absolute maximum die temperature of 150°C.

NOTE: The EPC9060/61/62 development boards do not have any current or thermal protection on board, on board.

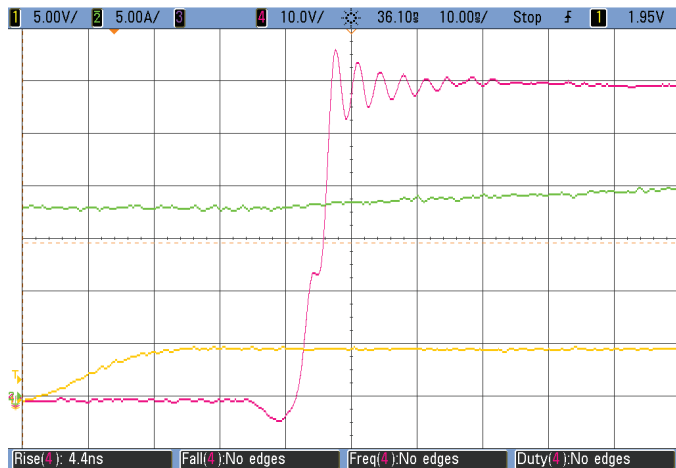


Figure 4 (a) – Rising Edge

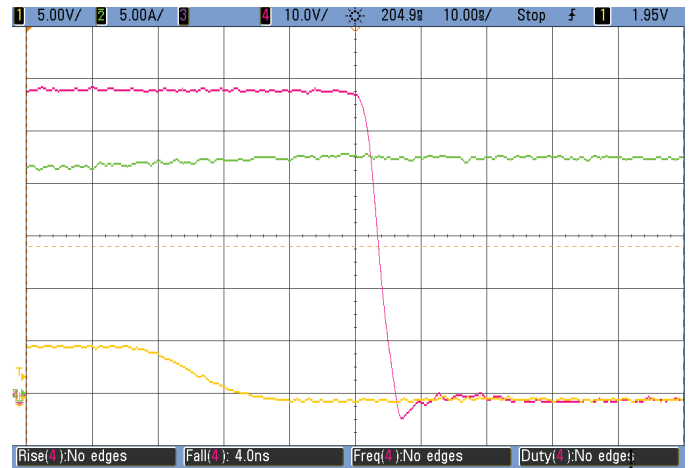


Figure 4 (b) – Falling Edge

Typical Waveforms for $V_{IN} = 60\text{ V}$ to $5\text{ V}/20\text{ A}$ (300 kHz) Buck converter CH1: (V_{PWM}) Input logic signal – CH2: (I_{OUT}) Output inductor current – CH4: (V_{OUT}) Switch node voltage

Table 2 : Bill of Material

Item	Qty	Reference	Part Description	Manufacturer / Part #
1	3	C4, C10, C11	Capacitor, 1 μ F, 10%, 25 V, X5R	Murata, GRM188R61E105KA12D
2	2	C16, C17	Capacitor, 100 pF, 5%, 50 V, NP0	Kemet, C0402C101K5GACTU
3	1	C9	Capacitor, 0.1 μ F, 10%, 25 V, X5R	TDK, C1005X5R1E104K
4	1	C19	Capacitor, 1 μ F, 10%, 25 V, X5R	C1005X5R1E105K
5	4	C21, C22, C23, C24	Capacitor, - see Table 3	See Table 3
6	2	D1, D2	Schottky Diode, 30 V	Diodes Inc., SDM03U40-7
7	3	J1, J2, J9	Connector	FCI, 68001-236HLF
8	1	J3, J4, J5, J6, J7, J8	Connector	FCI, 68602-224HLF
9	2	Q1, Q2	eGaN [®] FET - see Table 3	See Table 3
10	1	R1	Resistor, 10.0 K, 5%, 1/10 W	Panasonic, ERJ-3GEY0R00V
11	2	R2, R15	Resistor, 0 Ohm, 1/8 W	Stackpole, RMCF0603ZT0R00
12	1	R4	Resistor, 47 Ohm, 1%, 1/10 W	Stackpole, RMCF0603FT47R0
13	1	R5	Resistor, 75 Ohm, 1%, 1.10 W	Stackpole, RMCF0603FT75R0
14	4	R19, R20, R23, R24	Resistor, 0 Ohm, 1/16 W	Stackpole, RMCF0402ZT0R00
15	2	TP1, TP2	Test Point	Keystone Elect, 5015
16	1	TP3	Connector	1/40th of Tyco, 4-103185-0
17	1	U1	I.C., Logic	Fairchild, NC7SZ00L6X
18	1	U2	I.C., Gate Driver	National, LM5113
19	1	U3	I.C., Regulator	Microchip, MCP1703T-5002E/MC
20	1	U4	I.C., Logic	Fairchild, NC7SZ08L6X
21	0	R14	Optional Resistor	
22	0	D3	Optional Diode	
23	0	P1, P2	Optional Potentiometer	

Table 3 : Variable BOM Components

Board Number	Item	Qty	Reference	Part Description	Manufacturer / Part #
EPC9060	5	4	C21, C22, C23, C24	Capacitor, 4.7 μ F, 50 V \pm 10%, X5R	TDK, C2012X5R1H475K125AB
	9	2	Q1, Q2	eGaN [®] FET	EPC, EPC2030
EPC9061	5	4	C21, C22, C23, C24	Capacitor, 1 μ F, 100 V \pm 10%, X7S	TDK, CGA4J3X7S2A105K125AE
	9	2	Q1, Q2	eGaN [®] FET	EPC, EPC2031
EPC9062	5	4	C21, C22, C23, C24	Capacitor, 1 μ F, 100 V \pm 10%, X7S	TDK, CGA4J3X7S2A105K125AE
	9	2	Q1, Q2	eGaN [®] FET	EPC, EPC2032

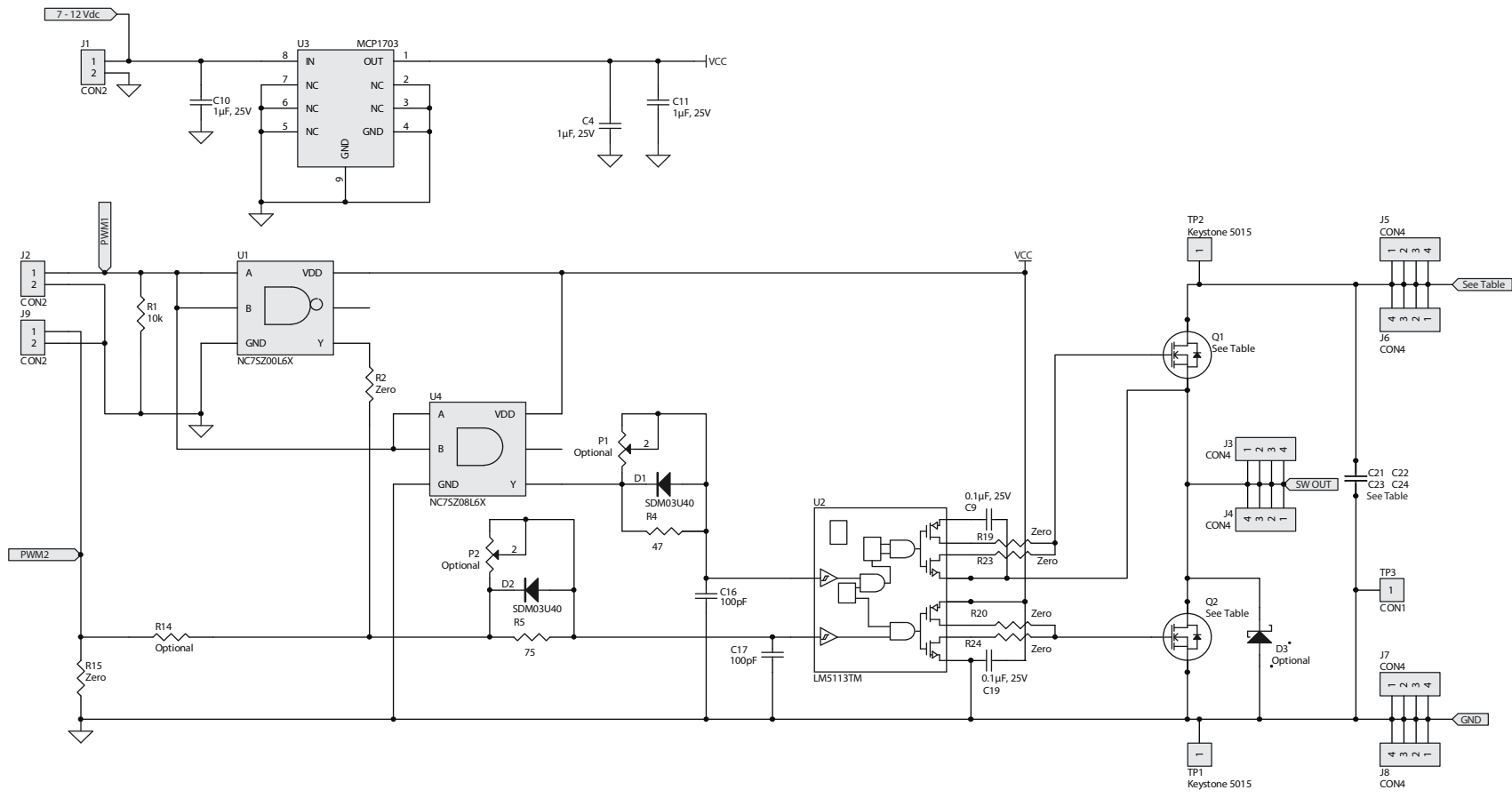


Figure 5: Development Board Schematic

For More Information:

Please contact info@epc-co.com
or your local sales representative

Visit our website:
www.epc-co.com

Sign-up to receive
EPC updates at
bit.ly/EPCupdates
or text "EPC" to 22828



EPC Products are distributed through Digi-Key.
www.digikey.com

Demonstration Board Notification

The EPC9060/61/62 boards are intended for product evaluation purposes only and is not intended for commercial use. As an evaluation tool, it is not designed for compliance with the European Union directive on electromagnetic compatibility or any other such directives or regulations. As board builds are at times subject to product availability, it is possible that boards may contain components or assembly materials that are not RoHS compliant. Efficient Power Conversion Corporation (EPC) makes no guarantee that the purchased board is 100% RoHS compliant. No Licenses are implied or granted under any patent right or other intellectual property whatsoever. EPC assumes no liability for applications assistance, customer product design, software performance, or infringement of patents or any other intellectual property rights of any kind.

EPC reserves the right at any time, without notice, to change said circuitry and specifications.