



Chipsmall Limited consists of a professional team with an average of over 10 year of expertise in the distribution of electronic components. Based in Hongkong, we have already established firm and mutual-benefit business relationships with customers from,Europe,America and south Asia,supplying obsolete and hard-to-find components to meet their specific needs.

With the principle of "Quality Parts,Customers Priority,Honest Operation,and Considerate Service",our business mainly focus on the distribution of electronic components. Line cards we deal with include Microchip,ALPS,ROHM,Xilinx,Pulse,ON,Everlight and Freescale. Main products comprise IC,Modules,Potentiometer,IC Socket,Relay,Connector.Our parts cover such applications as commercial,industrial, and automotives areas.

We are looking forward to setting up business relationship with you and hope to provide you with the best service and solution. Let us make a better world for our industry!



Contact us

Tel: +86-755-8981 8866 Fax: +86-755-8427 6832

Email & Skype: info@chipsmall.com Web: www.chipsmall.com

Address: A1208, Overseas Decoration Building, #122 Zhenhua RD., Futian, Shenzhen, China



Power Module Product List

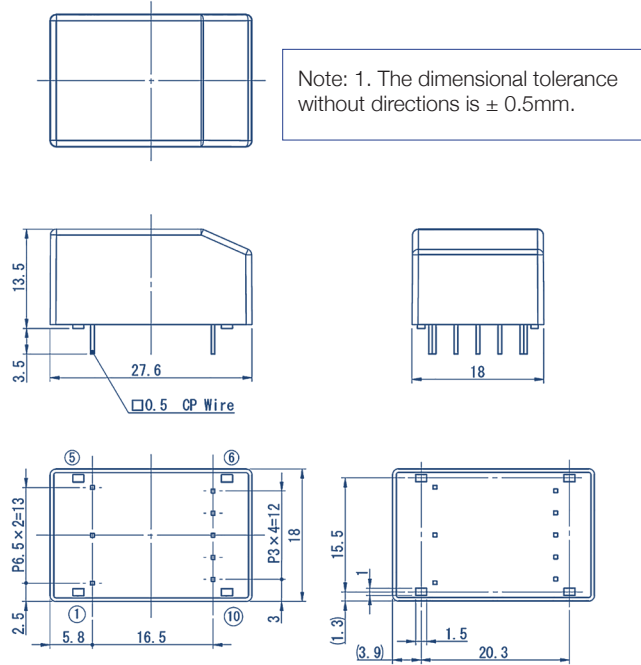
TAMURA CORPORATION OF AMERICA
 1040 South Andreason Dr. Ste 100
 Escondido, CA 92029

Contact: 1-800-472-6624
 sales@tamuracorp.com

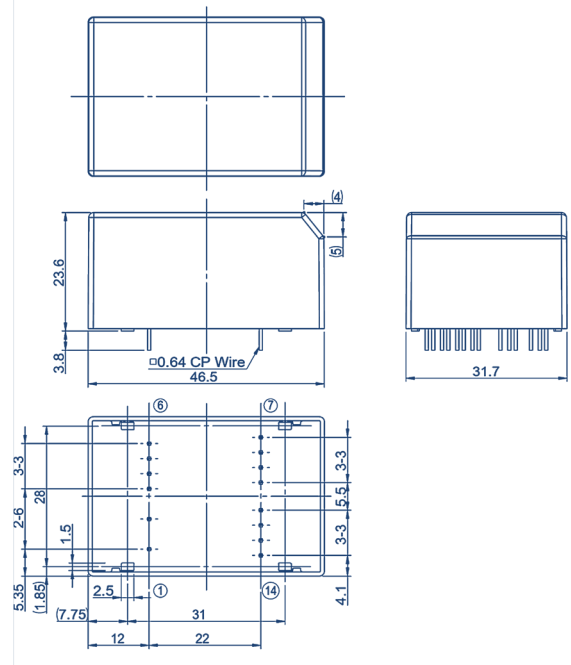
	Part Number	Main Specifications					Insulation (between Pri-Sec)
		Output Voltage	Rated Load	Output (Single or Multi)	External Type	RoHS Compliant	
SPM	SPM0307SJ	3.3V	0.7A	Single	S18S	YES	Reinforced insulation
	SPM0507SJ	5V	0.66A				Reinforced insulation
	SPM1203SJ	12V	0.28A				Reinforced insulation
	SPM1502SJ	15V	0.22A				Reinforced insulation
	SPM2402SJ	24V	0.15A				Basic insulation
EPM	EPM0310SJ	3.3V	1A	Single	FE19S	YES	Reinforced insulation
	EPM0510SJ	5V	1A		FE19S		Reinforced insulation
	EPM1205SJ	12V	0.5A		FE19S		Reinforced insulation
	EPM1210SJ	12V	1A		FE22S		Reinforced insulation
	EPM1505SJ	15V	0.5A		FE19S		Reinforced insulation
	EPM1510SJ	15V	1A		FE22S		Reinforced insulation
	EPM2405SJ	24V	0.5A		FE22S		Reinforced insulation
	EPM120806D	8V	0.05A	Multi	FE19D	YES	Reinforced insulation
		12V	0.5A				
	EPM122410D	12V	0.2A		FE22D		Reinforced insulation
		24V	0.1A				
	EPM141626D	13.5V	0.3A		FE22D		Basic insulation
		16V	0.12A				
BPM	BPM0390SJ	3.3V	9A	Single	B32S	YES	Reinforced insulation
	BPM0580SJ	5V	8A		B32S		Reinforced insulation
	BPM1234SJ	12V	3.4A		B32S		Reinforced insulation
	BPM1527SJ	15V	2.7A		B32S		Reinforced insulation
	BPM2417SJ	24V	1.7A		B32S		Reinforced insulation

Power Module Product List

SPM Series External Dimensions

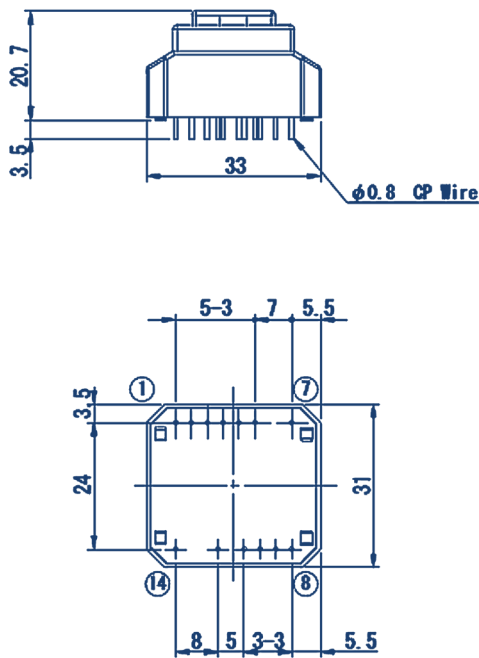


BPM Series External Dimensions



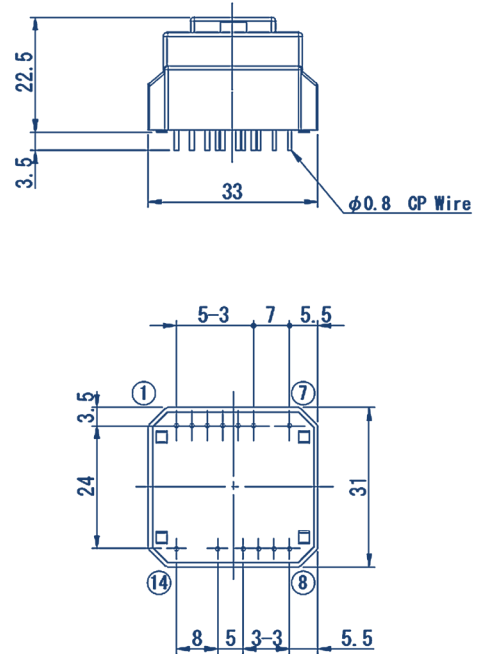
EPM Series External Dimensions

EF19S, EF19D



FE19S 1 ~ 3 : With no pin

EF22S, EF22D



FE22S 1 ~ 3 : With no pin