



Chipsmall Limited consists of a professional team with an average of over 10 year of expertise in the distribution of electronic components. Based in Hongkong, we have already established firm and mutual-benefit business relationships with customers from,Europe,America and south Asia,supplying obsolete and hard-to-find components to meet their specific needs.

With the principle of “Quality Parts,Customers Priority,Honest Operation,and Considerate Service”,our business mainly focus on the distribution of electronic components. Line cards we deal with include Microchip,ALPS,ROHM,Xilinx,Pulse,ON,Everlight and Freescale. Main products comprise IC,Modules,Potentiometer,IC Socket,Relay,Connector.Our parts cover such applications as commercial,industrial, and automotives areas.

We are looking forward to setting up business relationship with you and hope to provide you with the best service and solution. Let us make a better world for our industry!



## Contact us

Tel: +86-755-8981 8866 Fax: +86-755-8427 6832

Email & Skype: info@chipsmall.com Web: www.chipsmall.com

Address: A1208, Overseas Decoration Building, #122 Zhenhua RD., Futian, Shenzhen, China





**SERIES:** 12 W WALL PLUG

**DESCRIPTION:** SWITCHING POWER SUPPLY

**FEATURES**

- universal AC input
- regulated output voltage
- short circuit, over load protection
- meets EISA / efficiency level IV regulations
- custom designs available



**MODEL**

MODEL	output voltage		output current		output wattage	ripple*	efficiency level	cord length (mm)
	nominal (V dc)		min (A)	max (A)	max (W)	max. (mVp-p)		
EPS050250UPS-P5P-KH	5		0	2.5	12.5	80	IV	1800 ±30
EPS060175UPS-P5P-KH	6		0	1.75	10.5	80	IV	1800 ±30
EPS090120UPS-P5P-KH	9		0	1.2	10.8	90	IV	1800 ±30
EPS120100UPS-P5P-KH	12		0	1.0	12	120	IV	1800 ±30
EPS150080UPS-P5P-KH	15		0	0.8	12	150	IV	1800 ±30
EPS180067UPS-P5P-KH	18		0	0.67	12.1	180	V	1800 ±30
EPS240050UPS-P5P-KH	24		0	0.5	12	240	IV	1800 ±30

\*full load, 100~240 Vac input, measured at 20MHz bandwidth with a 22 uF electrolytic cap and a 0.1 uF ceramic cap on the output



**SERIES: 12 W WALL PLUG**

**DESCRIPTION: SWITCHING POWER SUPPLY**

**INPUT**

parameter	conditions/description	min	nom	max	units
rated input voltage		100		240	V ac
input voltage range		90		264	V ac
rated frequency		50		60	Hz
frequency range		47		63	Hz
inrush current				50	A
no load power consumption	100 ~ 240 V ac input			0.5	W

**OUTPUT**

parameter	conditions/description	min	nom	max	units
line regulation			±2		%
load regulation			±5		%
temp. coefficient			0.05		%/°C
start-up time	at 110 V ac, full load			2	s
hold-up time	at 110 V ac, full load	10			ms
over voltage protection		125%		180%	V dc
overload protection	Overload results in decreased output voltage until auto-recovery once the over load is removed.				
short circuit protection	auto-recovery				

**SAFETY & EMI**

parameter	conditions/description	min	nom	max	units
HI-POT	input to output at 4 mA for 2 seconds input to case at 4 mA for 2 seconds			3000 3000	V ac V ac
insulation resistance	input to output at 500 V dc	50			MΩ
safety approvals	UL/cUL (60950-1)				
EMI standard	FCC part 15 class B				
RoHS compliant	yes				
LPS power supply	yes				

**ENVIRONMENTAL**

parameter	conditions/description	min	nom	max	units
operating temperature		0		40	°C
operating humidity		10		95	%
storage temperature		-20		70	°C
storage humidity		10		95	%

**RELIABILITY**

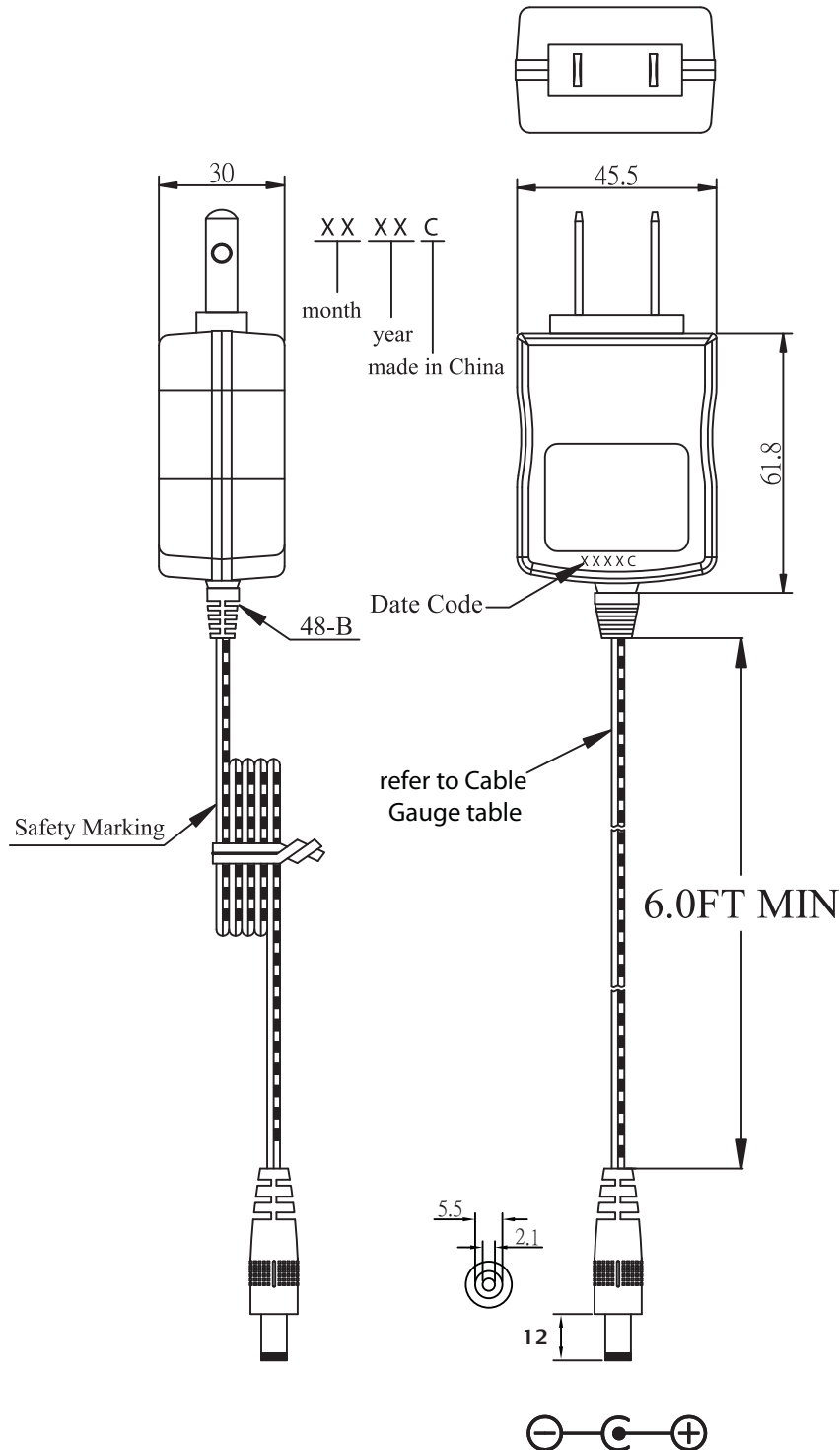
parameter	conditions/description	min	nom	max	units
MTBF	at 25°C	50,000			hours



SERIES: 12 W WALL PLUG

DESCRIPTION: SWITCHING POWER SUPPLY

MECHANICAL DRAWING



Cable Gauge	
EPS050250	18 AWG
EPS060175	20 AWG
EPS090120	22 AWG
EPS120100	22 AWG
EPS150080	22 AWG
EPS180670	24 AWG
EPS240050	24 AWG



SERIES: 12 W WALL PLUG

DESCRIPTION: SWITCHING POWER SUPPLY

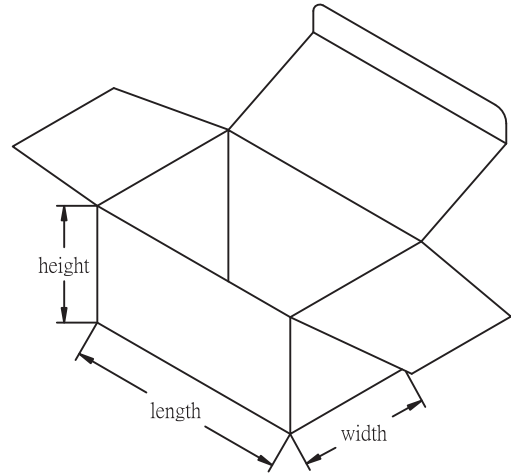
**INDIVIDUAL PACKAGING**

BOX

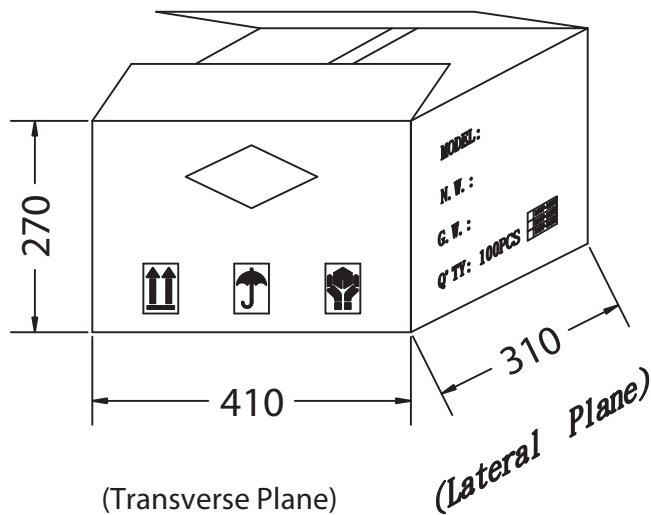
Length: 100

Width: 60

Height: 52



**PACKAGING**



MODEL:  
N.W.:  
G.W.:  
Q'TY: 100PCS

	100V~120V
	200V~240V
	100V~240V

