



Chipsmall Limited consists of a professional team with an average of over 10 year of expertise in the distribution of electronic components. Based in Hongkong, we have already established firm and mutual-benefit business relationships with customers from,Europe,America and south Asia,supplying obsolete and hard-to-find components to meet their specific needs.

With the principle of "Quality Parts,Customers Priority,Honest Operation,and Considerate Service",our business mainly focus on the distribution of electronic components. Line cards we deal with include Microchip,ALPS,ROHM,Xilinx,Pulse,ON,Everlight and Freescale. Main products comprise IC,Modules,Potentiometer,IC Socket,Relay,Connector.Our parts cover such applications as commercial,industrial, and automotives areas.

We are looking forward to setting up business relationship with you and hope to provide you with the best service and solution. Let us make a better world for our industry!



Contact us

Tel: +86-755-8981 8866 Fax: +86-755-8427 6832

Email & Skype: info@chipsmall.com Web: www.chipsmall.com

Address: A1208, Overseas Decoration Building, #122 Zhenhua RD., Futian, Shenzhen, China





Features

- Incremental encoder / momentary push switch option
- Long operating life
- Sturdy construction
- Snap-in mount

EPS - Digital Contacting Encoder With Momentary Switch Option

Electrical Characteristics

Output	2-bit quadrature code, Channel A leads Channel B by 90 ° electrically turning clockwise (CW)
Closed Circuit Resistance	5 ohms maximum
Open Circuit Resistance	500 K ohms minimum
Contact Rating	10 milliamp @ 10 VDC or 0.1 watt maximum
Insulation Resistance (500 VDC)	1,000 megohms minimum
Dielectric Withstanding Voltage (MIL-STD-202 Method 301)	
Sea Level	1,000 VAC minimum
Electrical Travel	Continuous
Contact Bounce (15 RPM)	5 milliseconds maximum
RPM (Operating)	120 maximum
Encoder Switching Configuration (applies to detented version only)	Normally Open
Phase Tolerance (CH A to CH B)	90 ° ± 72 °

Environmental Characteristics

Operating Temperature Range	+1 °C to +85 °C (+34 °F to +185 °F)
Storage Temperature Range	-40 °C to +85 °C (-40 °F to +185 °F)
Humidity	MIL-STD-202, Method 103B, Condition B
Vibration	15 G
Contact Bounce	0.1 millisecond maximum
Shock	50 G
Contact Bounce	0.1 millisecond maximum
Rotational Life	200,000 shaft revolutions
Switch Life	100,000 cycles
IP Rating	IP 40

Mechanical Characteristics

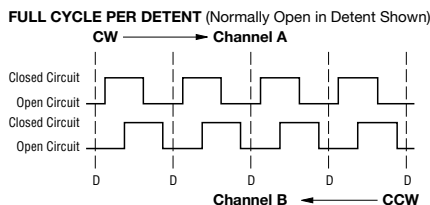
Mechanical Angle	360 ° Continuous
Running Torque	0.5 to 1.5 N-cm (0.75 to 2.25 oz-in.)
Mounting Torque	56 to 79 N-cm (5-7 lb.-in.) maximum
Shaft Side Load (Static)	4.53 kg (10 lbs.) minimum
Weight	Approximately 21 gms. (0.75 oz.)
Terminals	Printed circuit board terminals
Soldering Condition	Recommended hand soldering using Sn95/Ag5 no clean solder, 0.025 " wire diameter. Maximum temperature 399 °C (750 °F) for 3 seconds. No wash process to be used with no clean flux. Part can be wave soldered at 260 °C (500 °F) for 5 seconds, no wash process with no clean flux.
Marking	Manufacturer's name and part number, and date code
Hardware	One lockwasher and one mounting nut supplied with each encoder, except where noted in the part number.

Switch Characteristics

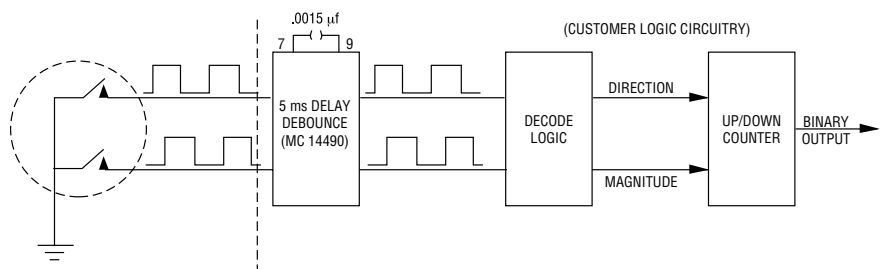
Switch Type	Push Momentary, SPST N.O.
Power Rating (Resistive Load)	10 milliamps @ 12 volts DC
Closed Switch Resistance	Less than 200 ohms @ 440 gram force on shaft
Switch Travel	2.25 ±0.25 mm
Switch Actuation Force	370 ±70 grams (5 ±1 oz.-in.)

Quadrature Output Table - This table is intended to show available outputs as currently defined.

FULL CYCLE PER DETENT
(Normally Open in Detent Shown)



RECOMMENDED INCREMENTAL CONTROL DIAGRAM
FOR USE WITH A DEBOUNCE CIRCUIT



*RoHS Directive 2002/95/EC Jan. 27, 2003 including annex and RoHS Recast 2011/65/EU June 8, 2011.

Specifications are subject to change without notice.

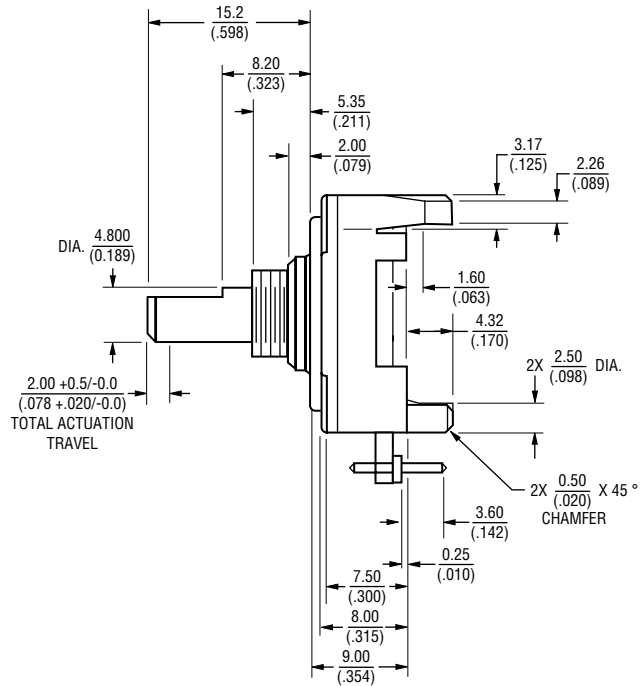
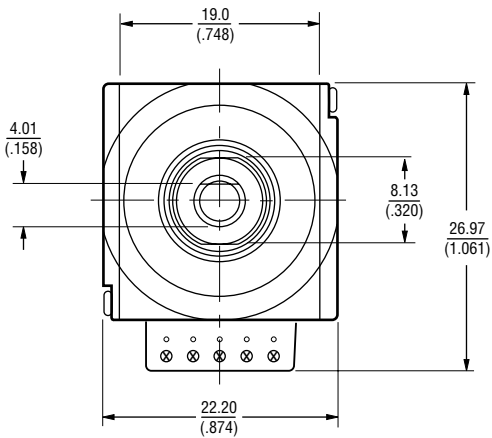
The device characteristics and parameters in this data sheet can and do vary in different applications and actual device performance may vary over time. Users should verify actual device performance in their specific applications.

EPS - Digital Contacting Encoder With Momentary Switch Option

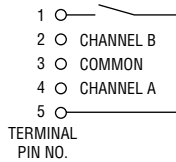
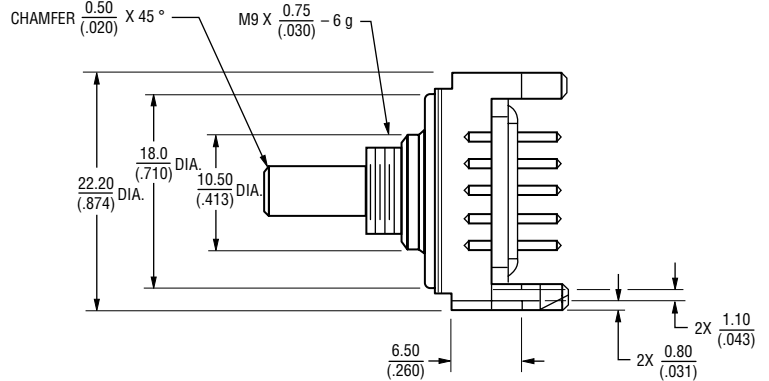
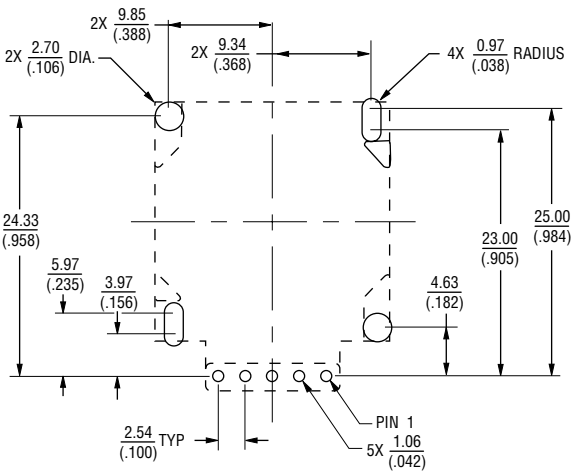
BOURNS®

Product Dimensions

SNAP-IN MOUNTING - S style bushing / F style shaft



PCB MOUNTING DIMENSIONS



DIMENSIONS: $\frac{MM}{(IN)}$
 TOLERANCES: EXCEPT WHERE NOTED
 DECIMALS: .XX ± $\frac{.51}{(.020)}$.XXX ± $\frac{.13}{(.005)}$

Specifications are subject to change without notice.
 The device characteristics and parameters in this data sheet can and do vary in different applications and actual device performance may vary over time.
 Users should verify actual device performance in their specific applications.

EPS - Digital Contacting Encoder With Momentary Switch Option

BOURNS®

How to Order

PART NUMBERING SYSTEM

E P S 1 D - F 1 9 - A E 0 0 3 6 L

Encoder with Switch Option

BUSHING CONFIGURATION	
Code	Description
S	9 mm flatted x 5.35 mm length Threaded M9 x 0.75

SWITCH OPTION	
Code	Description
1	Switch (Push Momentary)

ANTI-ROTATION LUG POSITION	
Code	Description
D	None

SHAFT STYLE (See Outline Drawing for Details)	
Code	Description
F	Flatted (4.8 mm Dia.)

RoHS IDENTIFIER	
Code	Description
L	Compliant
Blank	Non-Compliant

PERFORMANCE CODE		
Code	Detents	Cycles/Rev.
E0006	0	6
E0009	0	9
E0012	0	12
E0024	0	24
E0036	0	36
D0024	24	24

HOUSING TERMINAL CONFIGURATION (X indicates "Equipped With")		
Features	Code	
	A	B
Terminal (Rear Mounting)	X	X
Mounting Hardware Included	X	

SHAFT LENGTH (FMS)		
Code	Description	Available Shaft Styles
19	Length (19/32)	F

REV. 06/16

Specifications are subject to change without notice.
The device characteristics and parameters in this data sheet can and do vary in different applications and actual device performance may vary over time.
Users should verify actual device performance in their specific applications.