



Chipsmall Limited consists of a professional team with an average of over 10 year of expertise in the distribution of electronic components. Based in Hongkong, we have already established firm and mutual-benefit business relationships with customers from,Europe,America and south Asia,supplying obsolete and hard-to-find components to meet their specific needs.

With the principle of “Quality Parts,Customers Priority,Honest Operation,and Considerate Service”,our business mainly focus on the distribution of electronic components. Line cards we deal with include Microchip,ALPS,ROHM,Xilinx,Pulse,ON,Everlight and Freescale. Main products comprise IC,Modules,Potentiometer,IC Socket,Relay,Connector.Our parts cover such applications as commercial,industrial, and automotives areas.

We are looking forward to setting up business relationship with you and hope to provide you with the best service and solution. Let us make a better world for our industry!



Contact us

Tel: +86-755-8981 8866 Fax: +86-755-8427 6832

Email & Skype: info@chipsmall.com Web: www.chipsmall.com

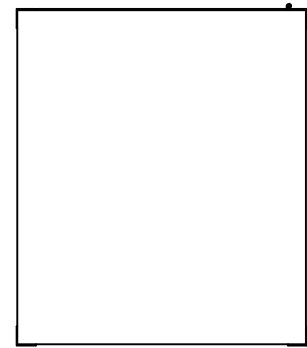
Address: A1208, Overseas Decoration Building, #122 Zhenhua RD., Futian, Shenzhen, China



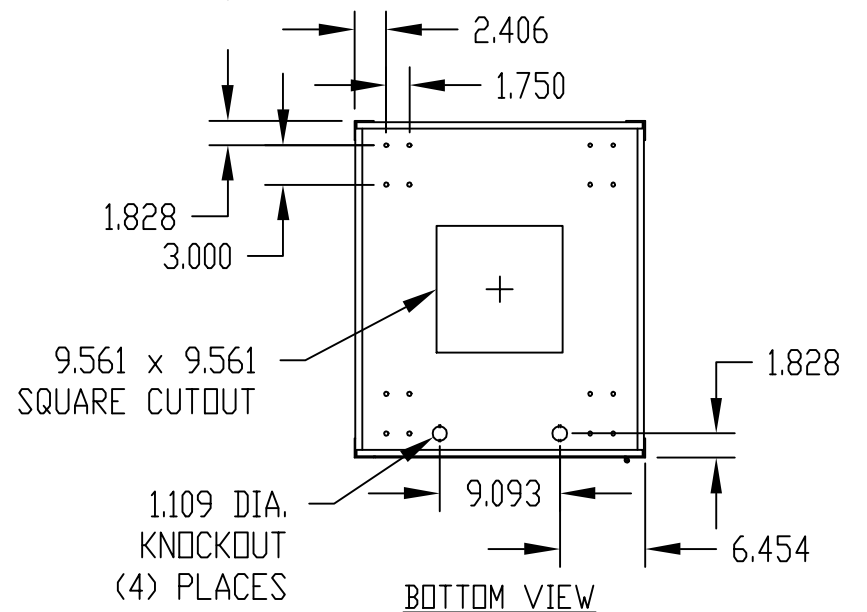
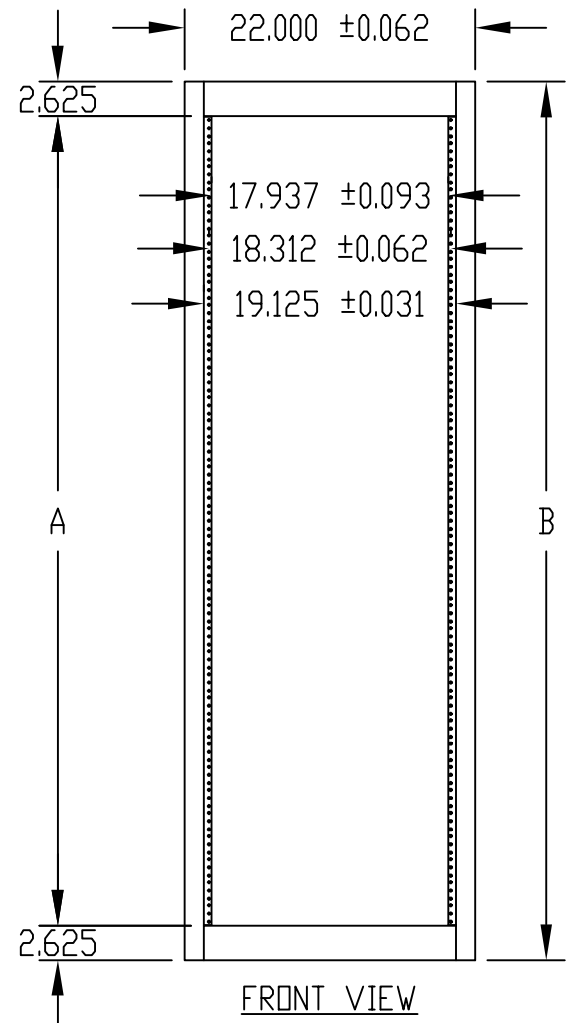
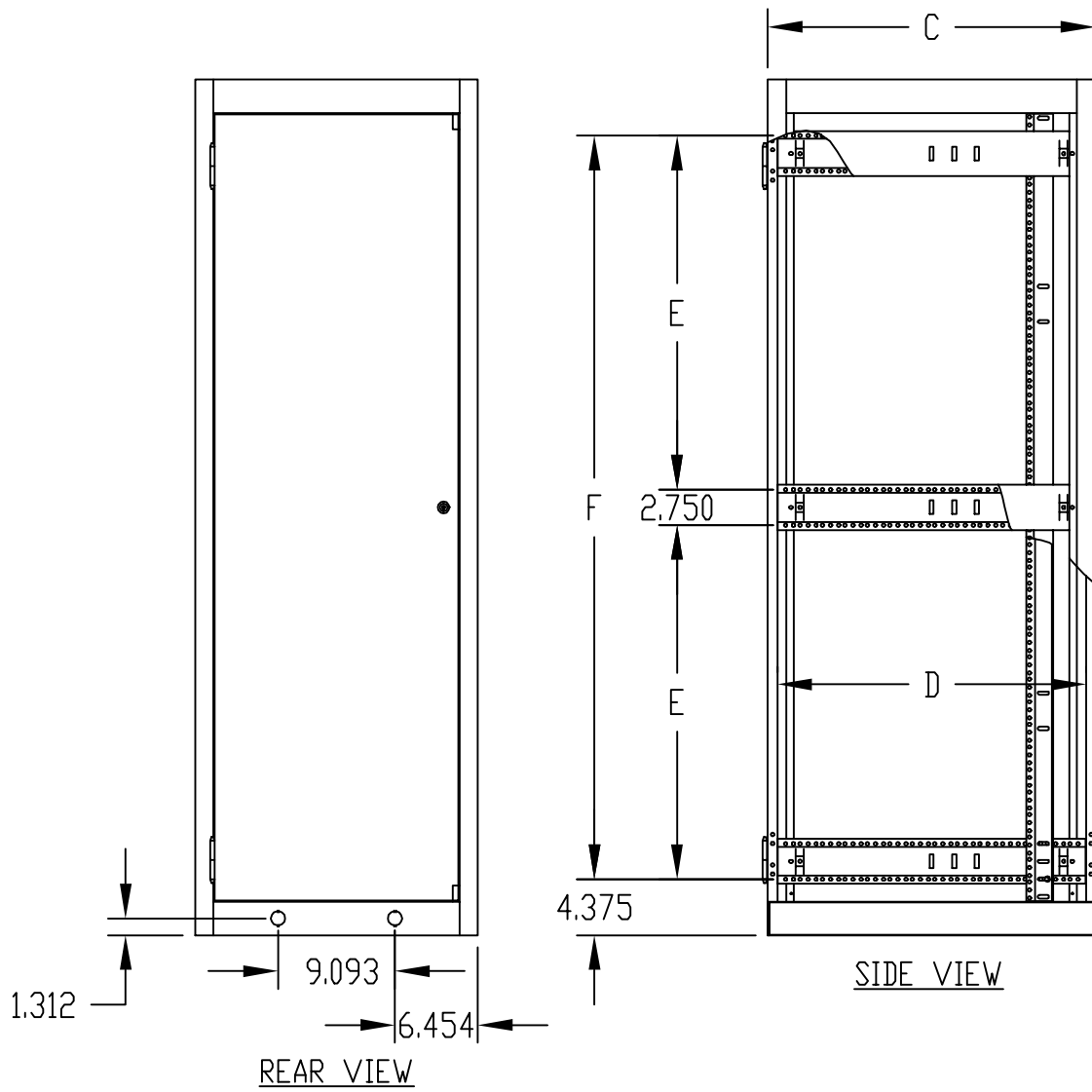
PART NAME	ECONOMIZER ADD-A-RACK (19" P.S.)	PART No.	ER-16552 thru ER-16576	REV. DATE	1-27-11
-----------	----------------------------------	----------	------------------------	-----------	---------

NOTES:

- ① PANEL MOUNTING RAILS TAPPED #10-32 ON E.I.A. UNIVERSAL SPACING AND ARE FULLY ADJUSTABLE.
- ② MOUNTING HOLES PIERCED IN BASE FOR #RC-7758 CASTERS.
- ③ LOAD RATING: 1200 LBS. MAX.



TOP VIEW



MATERIAL:
 REAR DOOR _____ 20 GA. STEEL
 REAR DOOR STIFFENER _____ 18 GA. STEEL
 TOP, BOTTOM, RAIL SUPPORTS
 AND DOOR STOPS _____ 16 GA. STEEL
 VERTICAL RAILS _____ 14 GA. STEEL
 PANEL MOUNTING RAILS _____ 12 GA. STEEL

FINISH:
 FRAME ASSEMBLY
 AND REAR DOOR _____ SAND TEXTURE
 _____ ROYAL BLUE TEXTURE
 _____ BLACK TEXTURE
 PANEL MOUNTING RAILS
 AND DOOR STOPS _____ SMOOTH BLACK

OPTIONAL ACCESSORIES

PART NO.	PANEL SPACE A	B	C	D	E	F	PANEL MTG. RAILS PART NO.	ECONOGLAS DOORS PART NO.
ER-16552	42.000	47.312	18.500	17.000	—	38.562	PMR-9450	V-9763-L
ER-16553	52.500	57.812			—	49.062	PMR-9451	V-9764-L
ER-16554	61.250	66.562			27.531	57.812	PMR-9452	V-9765-L
ER-16555	70.000	75.312			31.906	66.562	PMR-9453	V-9766-L
ER-16556	78.750	84.062	18.500	17.000	36.281	75.312	PMR-9454	V-9767-L
ER-16561	21.000	26.312	25.500	24.000	—	17.562	PMR-9448	V-9760-L
ER-16562	42.000	47.312			—	38.562	PMR-9450	V-9763-L
ER-16563	52.500	57.812			—	49.062	PMR-9451	V-9764-L
ER-16564	61.250	66.562			27.531	57.812	PMR-9452	V-9765-L
ER-16565	70.000	75.312			31.906	66.562	PMR-9453	V-9766-L
ER-16566	78.750	84.062	25.500	24.000	36.281	75.312	PMR-9454	V-9767-L
ER-16571	21.000	26.312	30.750	29.250	—	17.562	PMR-9448	V-9760-L
ER-16572	42.000	47.312			—	38.562	PMR-9450	V-9763-L
ER-16573	52.500	57.812			—	49.062	PMR-9451	V-9764-L
ER-16574	61.250	66.562			27.531	57.812	PMR-9452	V-9765-L
ER-16575	70.000	75.312			31.906	66.562	PMR-9453	V-9766-L
ER-16576	78.750	84.062	30.750	29.250	36.281	75.312	PMR-9454	V-9767-L