



Chipsmall Limited consists of a professional team with an average of over 10 year of expertise in the distribution of electronic components. Based in Hongkong, we have already established firm and mutual-benefit business relationships with customers from,Europe,America and south Asia,supplying obsolete and hard-to-find components to meet their specific needs.

With the principle of "Quality Parts,Customers Priority,Honest Operation,and Considerate Service",our business mainly focus on the distribution of electronic components. Line cards we deal with include Microchip,ALPS,ROHM,Xilinx,Pulse,ON,Everlight and Freescale. Main products comprise IC,Modules,Potentiometer,IC Socket,Relay,Connector.Our parts cover such applications as commercial,industrial, and automotives areas.

We are looking forward to setting up business relationship with you and hope to provide you with the best service and solution. Let us make a better world for our industry!



Contact us

Tel: +86-755-8981 8866 Fax: +86-755-8427 6832

Email & Skype: info@chipsmall.com Web: www.chipsmall.com

Address: A1208, Overseas Decoration Building, #122 Zhenhua RD., Futian, Shenzhen, China

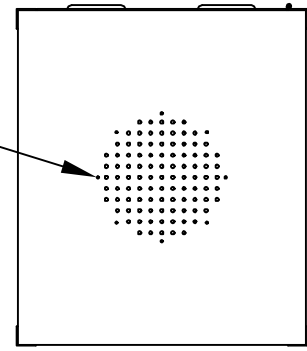


PART NAME	ECONOMIZER ADD-A-RACK (19" P.S., VENTED)	PART No.	ER-16652 thru ER-16676	REV. DATE	1-27-11
-----------	------------------------------------------	----------	------------------------	-----------	---------

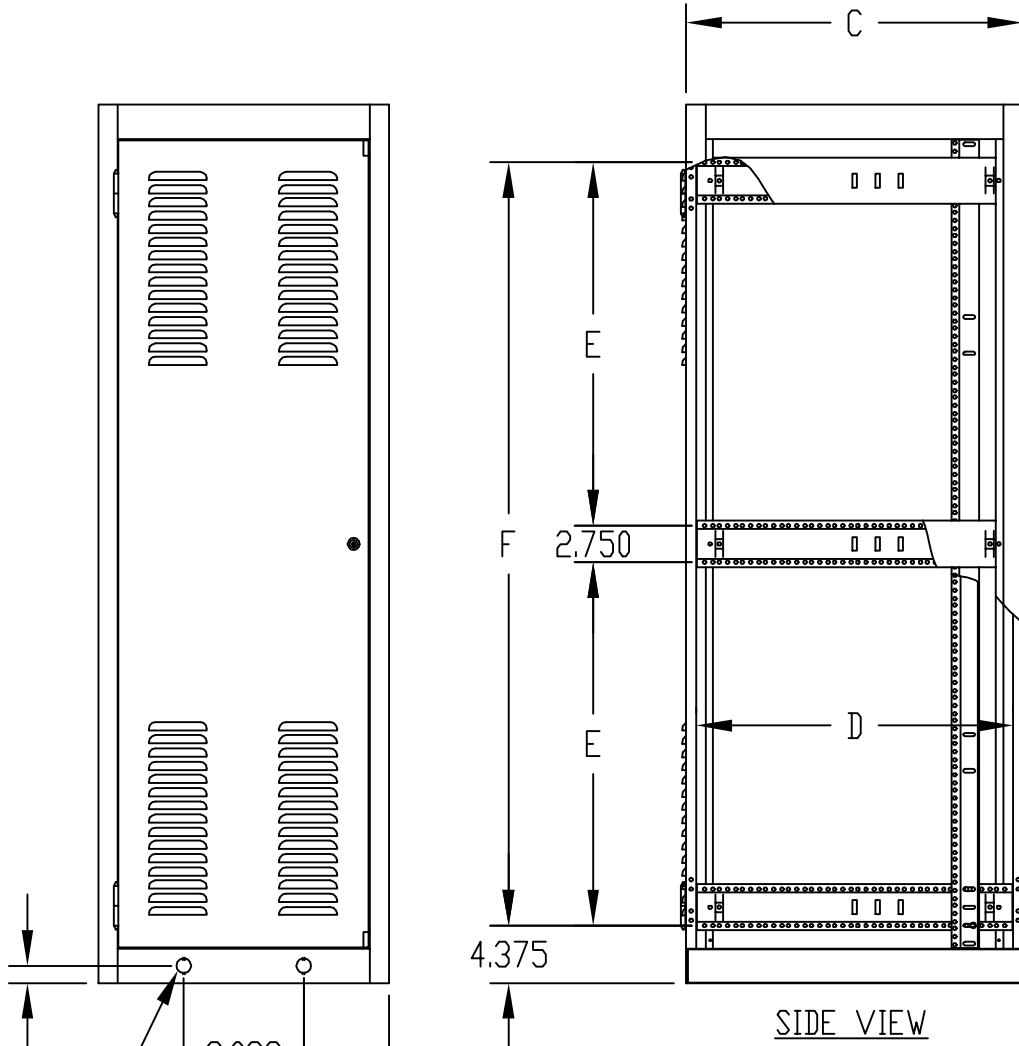
NOTES:

- ① PANEL MOUNTING RAILS TAPPED #10-32 ON E.I.A. UNIVERSAL SPACING AND ARE FULLY ADJUSTABLE.
- ② MOUNTING HOLES PIERCED IN BASE FOR #RC-7758 CASTERS.
- ③ LOAD RATING: 1200 LBS. MAX.

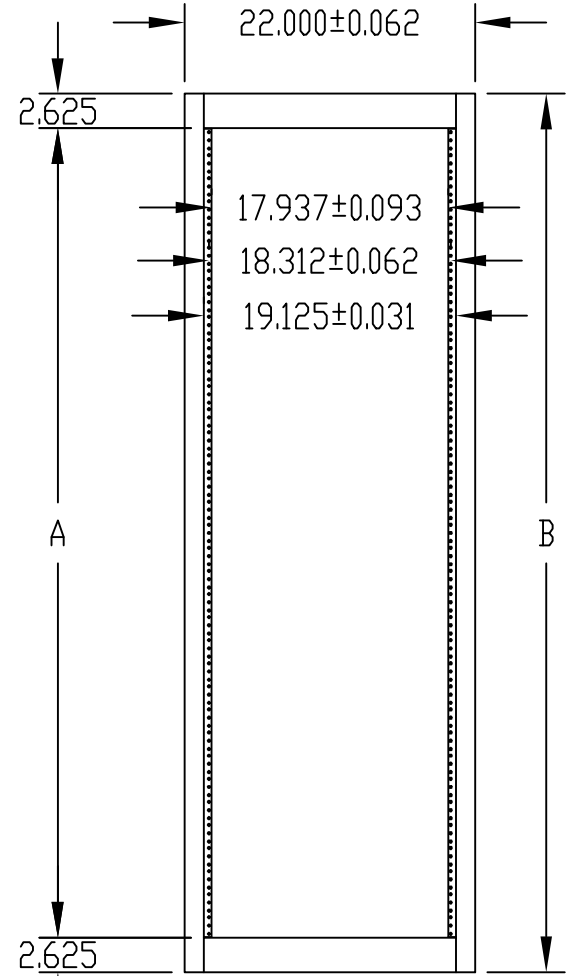
MOUNTING PROVISIONS FOR OPTIONAL FAN.



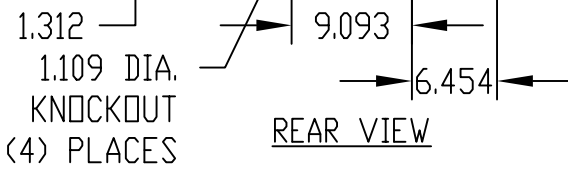
TOP VIEW



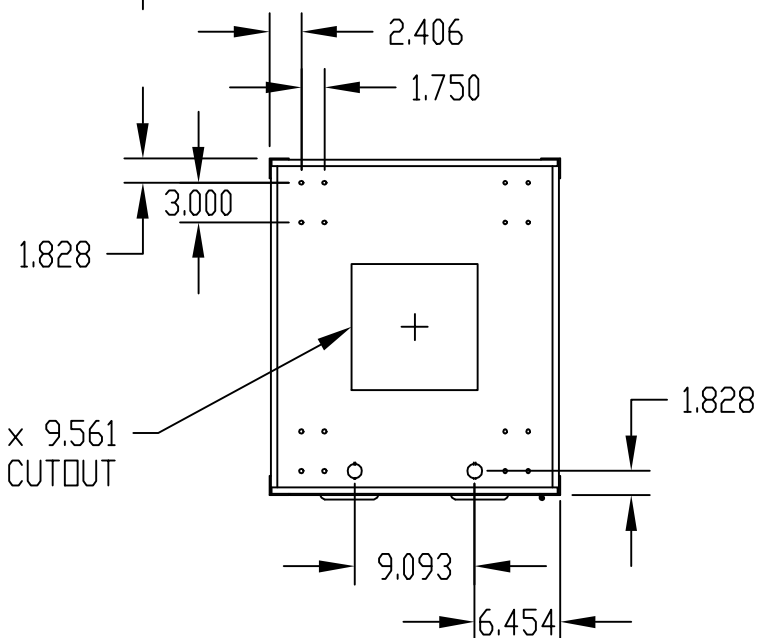
SIDE VIEW



FRONT VIEW



REAR VIEW



BOTTOM VIEW

MATERIAL:

REAR DOOR	20 GA. STEEL
REAR DOOR STIFFENER	18 GA. STEEL
TOP, BOTTOM, RAIL SUPPORTS AND DOOR STOPS	16 GA. STEEL
VERTICAL RAILS	14 GA. STEEL
PANEL MOUNTING RAILS	12 GA. STEEL

FINISH:

FRAME ASSEMBLY AND REAR DOOR	SAND TEXTURE
	ROYAL BLUE TEXTURE
	BLACK TEXTURE
PANEL MOUNTING RAILS AND DOOR STOPS	SMOOTH BLACK

OPTIONAL ACCESSORIES

PART NO.	PANEL SPACE A	B	C	D	E	F	PANEL MTG. RAILS PART NO.	ECONOGLAS DOORS PART NO.
ER-16652	42.000	47.312	18.500	17.000	—	38.562	PMR-9450	V-9763-L
ER-16653	52.500	57.812			—	49.062	PMR-9451	V-9764-L
ER-16654	61.250	66.562			27.531	57.812	PMR-9452	V-9765-L
ER-16655	70.000	75.312			31.906	66.562	PMR-9453	V-9766-L
ER-16656	78.750	84.062	18.500	17.000	36.281	75.312	PMR-9454	V-9767-L
ER-16662	42.000	47.312	25.500	24.000	—	38.562	PMR-9450	V-9763-L
ER-16663	52.500	57.812			—	49.062	PMR-9451	V-9764-L
ER-16664	61.250	66.562			27.531	57.812	PMR-9452	V-9765-L
ER-16665	70.000	75.312			31.906	66.562	PMR-9453	V-9766-L
ER-16666	78.750	84.062	25.500	24.000	36.281	75.312	PMR-9454	V-9767-L
ER-16672	42.000	47.312	30.750	29.250	—	38.562	PMR-9450	V-9763-L
ER-16673	52.500	57.812			—	49.062	PMR-9451	V-9764-L
ER-16674	61.250	66.562			27.531	57.812	PMR-9452	V-9765-L
ER-16675	70.000	75.312			31.906	66.562	PMR-9453	V-9766-L
ER-16676	78.750	84.062	30.750	29.250	36.281	75.312	PMR-9454	V-9767-L