



Chipsmall Limited consists of a professional team with an average of over 10 year of expertise in the distribution of electronic components. Based in Hongkong, we have already established firm and mutual-benefit business relationships with customers from,Europe,America and south Asia,supplying obsolete and hard-to-find components to meet their specific needs.

With the principle of “Quality Parts,Customers Priority,Honest Operation,and Considerate Service”,our business mainly focus on the distribution of electronic components. Line cards we deal with include Microchip,ALPS,ROHM,Xilinx,Pulse,ON,Everlight and Freescale. Main products comprise IC,Modules,Potentiometer,IC Socket,Relay,Connector.Our parts cover such applications as commercial,industrial, and automotives areas.

We are looking forward to setting up business relationship with you and hope to provide you with the best service and solution. Let us make a better world for our industry!



## Contact us

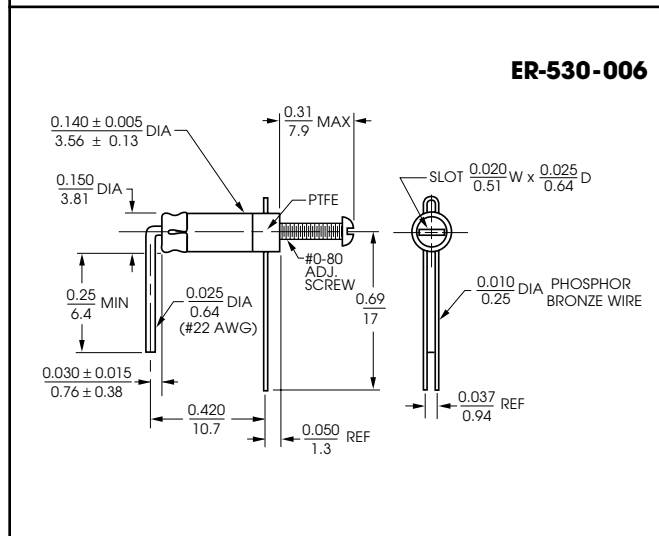
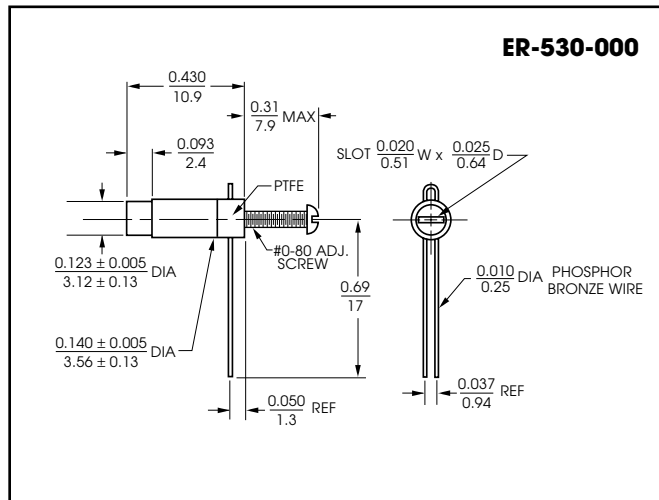
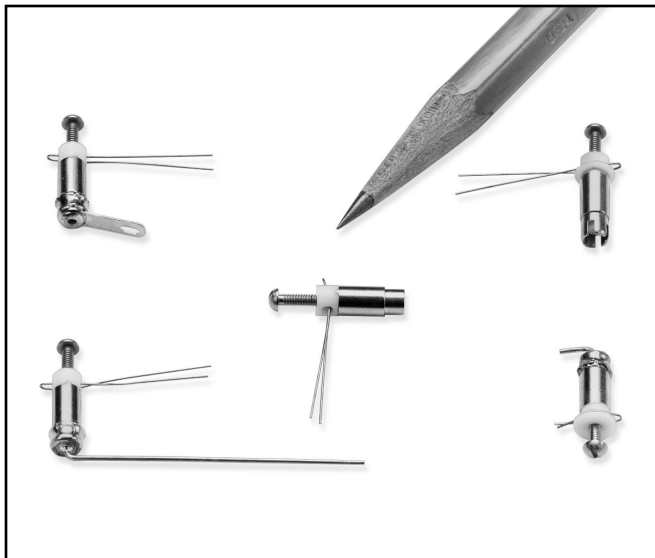
Tel: +86-755-8981 8866 Fax: +86-755-8427 6832

Email & Skype: info@chipsmall.com Web: www.chipsmall.com

Address: A1208, Overseas Decoration Building, #122 Zhenhua RD., Futian, Shenzhen, China



## MULTITURN PTFE DIELECTRIC TRIMMER CAPACITORS



### FEATURES

These trimmer capacitors combine the outstanding electrical properties of PTFE with nonferrous metal parts to provide:

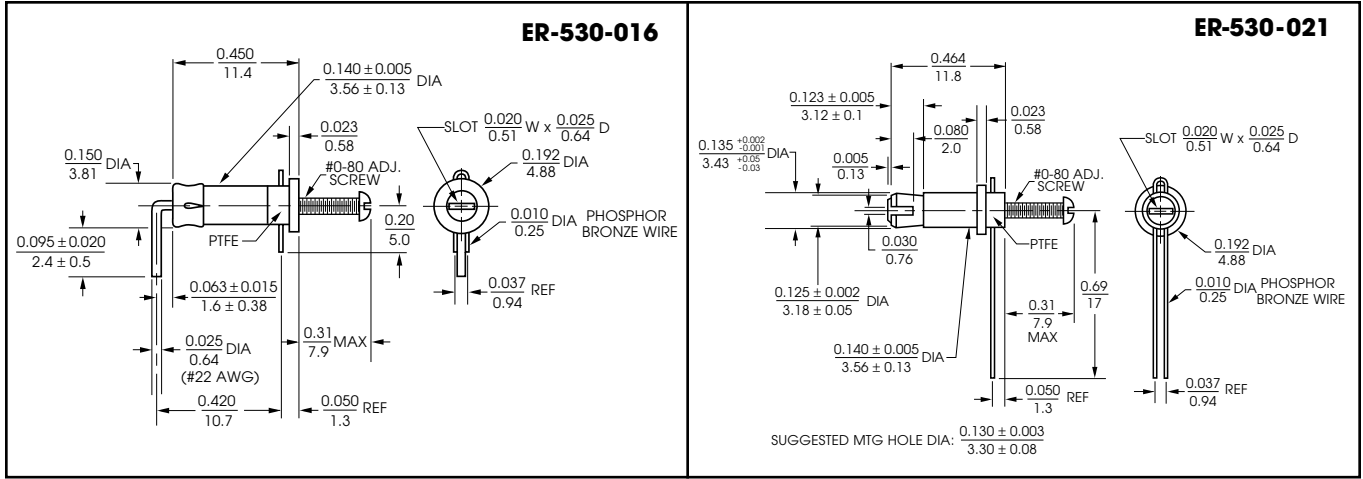
- High Q
- High DWV
- High IR
- Excellent Conductivity
- Corrosion Resistance
- Low  $\Delta C$ /Turn Ratio
- Excellent Stability

### SPECIFICATIONS

Capacitance Range .....	0.25 to 1.5 pF
Rated Voltage at 25°C:	
ER-530-000, -006, -016 .....	1250 VDC
ER-530-021 .....	1700 VDC
Dielectric Withstanding Voltage at 25°C:	
ER-530-000, -006, -016 .....	2500 VDC
ER-530-021 .....	3400 VDC
Operating Temperature Range .....	-55° to +125°C
Q min at 1 MHz .....	2000
Insulation Resistance .....	1 teraohm at 25°C
TCC .....	50 ± 50 ppm/°C
Torque .....	0.2 to 3.0 oz-in (14.4 to 216 g-cm)

All dimensions are in / mm.

Tolerance is ± 0.005/0.13 for dimensions of 0.110/2.79 or less, and ± 0.031/0.79 for dimensions greater than 0.110/2.79, unless otherwise specified.



All dimensions are in /mm.

Tolerance is  $\pm 0.005/0.13$  for dimensions of  $0.110/2.79$  or less, and  $\pm 0.031/0.79$  for dimensions greater than  $0.110/2.79$ , unless otherwise specified.

