



Chipsmall Limited consists of a professional team with an average of over 10 year of expertise in the distribution of electronic components. Based in Hongkong, we have already established firm and mutual-benefit business relationships with customers from,Europe,America and south Asia,supplying obsolete and hard-to-find components to meet their specific needs.

With the principle of “Quality Parts,Customers Priority,Honest Operation,and Considerate Service”,our business mainly focus on the distribution of electronic components. Line cards we deal with include Microchip,ALPS,ROHM,Xilinx,Pulse,ON,Everlight and Freescale. Main products comprise IC,Modules,Potentiometer,IC Socket,Relay,Connector.Our parts cover such applications as commercial,industrial, and automotives areas.

We are looking forward to setting up business relationship with you and hope to provide you with the best service and solution. Let us make a better world for our industry!



Contact us

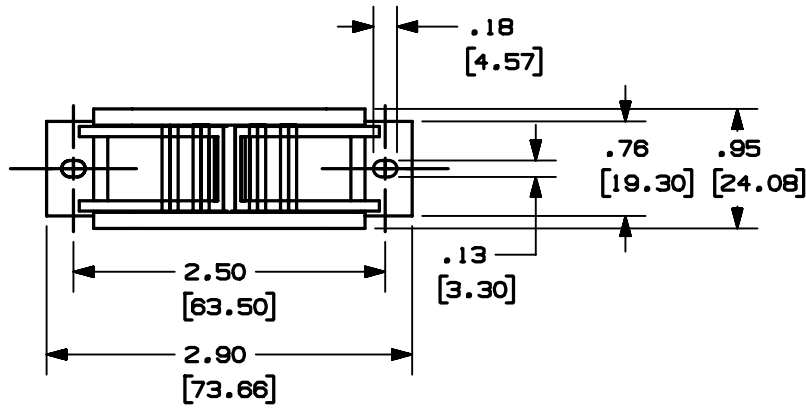
Tel: +86-755-8981 8866 Fax: +86-755-8427 6832

Email & Skype: info@chipsmall.com Web: www.chipsmall.com

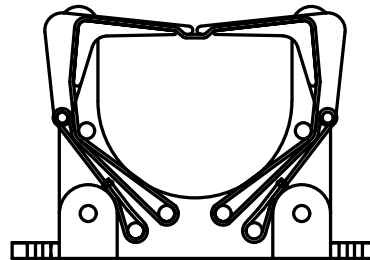
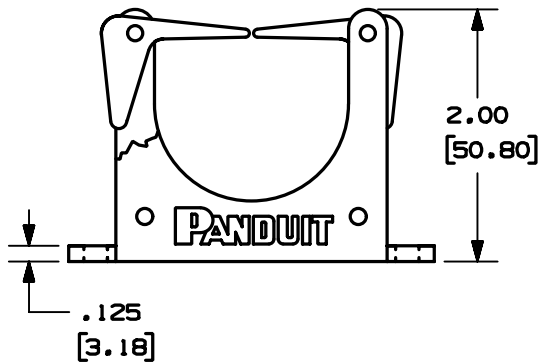
Address: A1208, Overseas Decoration Building, #122 Zhenhua RD., Futian, Shenzhen, China



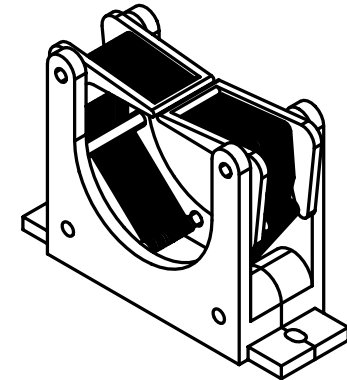
THIS COPY IS PROVIDED ON A RESTRICTED BASIS AND IS NOT TO BE USED IN ANY WAY DETRIMENTAL TO THE INTERESTS OF PANDUIT CORP.



PANDUIT * PART NO.	RECOMMENDED FASTENER	WEIGHT lbs / 100 (g) / pcs
ER1.25-E4-__	#4 SCREW	5.3 (2404)



CUTAWAY FRONT VIEW
SHOWING ELASTIC BAND



NOTES:

- SEE CURRENT PRICE SHEET FOR PART NUMBER SUFFIX DESIGNATION FOR PACKAGE SIZE.
- ELASTIC RETAINER AUTOMATICALLY FORMS AROUND BUNDLES OF WIRE AS THEY ARE INSERTED.
- CAPACITY: THIS BUNDLE RETAINER WILL ACCEPT:
(A) A 1.25" DIAMETER OF INDIVIDUALLY PLACED WIRES
-or-
(B) AN APPROXIMATE 0.75" DIAMETER HARNESSSED BUNDLE OR OTHER SOLID OBJECTS.

DIMENSIONS IN BRACKETS ARE METRIC [mm]	
CAD FILENAME/LAYERS G00239JU_PB_ER125E4_00	
PANDUIT CORP. TINLEY PARK, ILLINOIS	
ELASTIC RETAINER (ER1.25-E4-__)	
UNLESS OTHERWISE SPECIFIED, DIMENSIONAL TOLERANCES ARE: (.X) ±0.05 (1.3) (.XXX) ±0.010 (0.25) (.XX) ±0.02 (0.5) ANGLES ± 5°	UNLESS OTHERWISE SPECIFIED, ALL DIMENSIONS ARE GIVEN IN INCHES, THIRD ANGLE PROJECTION.
DRAWN BY JAD	MAT'L: PLASTIC FRAME, ELASTIC FABRIC BAND
DATE 11/4/02	SCALE 3/4
DRW'D	DWG NO. G00239JU Dwg SIZE A

REV	DATE	BY	CHK	DESCRIPTION	ECN	R	CUST	SUP
R	11/4/02	JAD		INITIAL RELEASE	G00239JU	R		