



Chipsmall Limited consists of a professional team with an average of over 10 year of expertise in the distribution of electronic components. Based in Hongkong, we have already established firm and mutual-benefit business relationships with customers from,Europe,America and south Asia,supplying obsolete and hard-to-find components to meet their specific needs.

With the principle of “Quality Parts,Customers Priority,Honest Operation,and Considerate Service”,our business mainly focus on the distribution of electronic components. Line cards we deal with include Microchip,ALPS,ROHM,Xilinx,Pulse,ON,Everlight and Freescale. Main products comprise IC,Modules,Potentiometer,IC Socket,Relay,Connector.Our parts cover such applications as commercial,industrial, and automotives areas.

We are looking forward to setting up business relationship with you and hope to provide you with the best service and solution. Let us make a better world for our industry!



Contact us

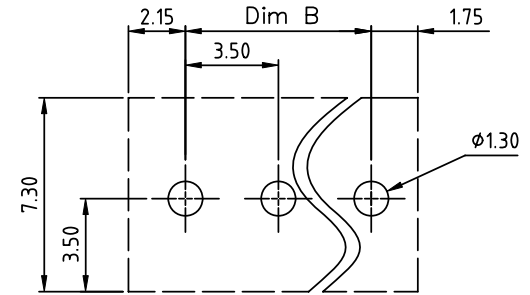
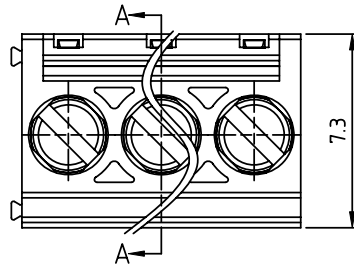
Tel: +86-755-8981 8866 Fax: +86-755-8427 6832

Email & Skype: info@chipsmall.com Web: www.chipsmall.com

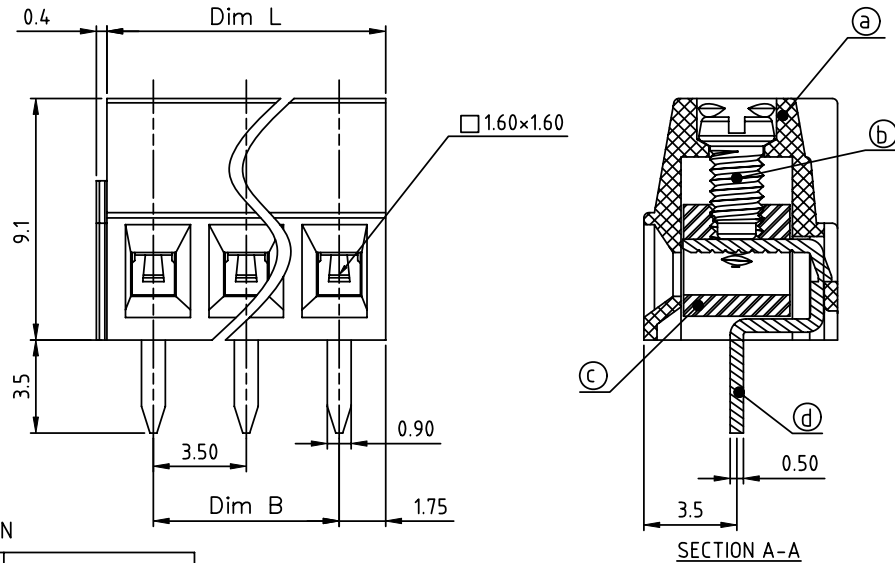
Address: A1208, Overseas Decoration Building, #122 Zhenhua RD., Futian, Shenzhen, China



PRODUCT NUMBER	PITCH
ERxx01x000J0G	3.50 mm



RECOMMENDED P.C.B LAYOUT
TOP VIEW



SECTION A-A

DIMENSION

Dim L	N×3.50
Dim B	(N-1)×3.50

N=Number of poles

Poles	Tolerance
2p-6p	±0.15
7p-11p	±0.20
12p-16p	±0.25
17p-20p	±0.30
21p-24p	±0.40

PART NO.: ER xx 01 x 0 00J0 G

	Color	RoHS compliant
End stackable 0	Black (RAL9005)	(lead<4%)
No. of poles 2	Red (RAL3001/D)	In copper Alloy
02 2 poles 3	Orange(RAL2011/P)	
03 3 poles 4	Yellow(RAL1018/A)	
... .. 5	Green(RAL6018/T)	
24 24 poles 6	Blue (RAL5015/A)	
	8 Grey(RAL7035/D)	
	9 White(RAL1102)	
	C Green(RAL6018/U)	

Material

- Item① Terminal housing : Thermoplastic (UL94V-0)
- Item② Terminal screw : Steel Zinc plating "-" slot type
- Item③ Clamp : Brass, Ni plated
- Item④ solder pin : Brass, Tin plated

Electrical cULus

- Voltage rating: 300VAC
- Current rating: 10A
- Wire range:
- Solid wire(AWG): 16-24
- Stranded wire(AWG): 16-24
- Torque(Lb-In): 1.7
- Screw: M2
- Wire strip length: 5-6mm
- Withstanding Voltage: 1.6KV
- Operating temperature: -40°C to +115°C
- Soldering temperature: 260°C±5°C/5 Sec
- Safety Approval: cULus

mat'l. code		surface ASME Y14.5	tolerance ASME Y14.5	projection	product family TERMINAL BLOCK
ltr	ecn no	dr	date	tolerances unless otherwise specified	title
				angles X±0.5	TERMINAL BLOCK
				MM	RISING CLAMP,180D WIRE INLET,END STACKABLE
				X*±1°	scale
				dr EVIN ZHONG 041514	FCI
				enrg EVIN ZHONG 041514	dwg no
				chr HANKE FENG 041514	sheet 1 of 1
				appd SHI JUN 041514	size
					A4
					type
					CUSTOMER Drawing
sheet index	revision	A			
	sheet	1			