



Chipsmall Limited consists of a professional team with an average of over 10 year of expertise in the distribution of electronic components. Based in Hongkong, we have already established firm and mutual-benefit business relationships with customers from,Europe,America and south Asia,supplying obsolete and hard-to-find components to meet their specific needs.

With the principle of “Quality Parts,Customers Priority,Honest Operation,and Considerate Service”,our business mainly focus on the distribution of electronic components. Line cards we deal with include Microchip,ALPS,ROHM,Xilinx,Pulse,ON,Everlight and Freescale. Main products comprise IC,Modules,Potentiometer,IC Socket,Relay,Connector.Our parts cover such applications as commercial,industrial, and automotives areas.

We are looking forward to setting up business relationship with you and hope to provide you with the best service and solution. Let us make a better world for our industry!



Contact us

Tel: +86-755-8981 8866 Fax: +86-755-8427 6832

Email & Skype: info@chipsmall.com Web: www.chipsmall.com

Address: A1208, Overseas Decoration Building, #122 Zhenhua RD., Futian, Shenzhen, China



200 kA SCCR in **2/3** the footprint of traditional fusible switches



Contents

Description	Section page
Compact Circuit Protector (CCP) disconnect switches	
Class CC, UL supplemental and IEC 10x38mm (CCP)	2-3
Class CF CUBEFuse (CCP-CF)	4-5
Compact Circuit Protector Base (CCPB)	6
Low profile Class CC and G, UL supplemental and IEC 10x38mm (CCPLP)	7-8
UL 98 fused disconnect switches, 30 to 800 A	
Introduction and agency information	9
Product line summary — UL	10
30 A Class CC and compact Class J	11-12
30 A standard Class J	13-14
60 A compact Class J	15-16
60 A standard Class J	17-18
100 A standard Class J	19-20
200 A and 400 A standard Class J	21-23
600 A standard Class J and 800 A Class L	24-25
UL 98 non-fused disconnect switches, 30 to 1200 A	
Introduction, agency information and product line summary — IEC	26
Product line summary — UL	27
30 A, 60 A and 100 A compact	28-29
100 A, 200 A and 400 A standard	30-31
600 A, 800 A, 1000 A and 1200 A standard	32-33
UL 508 non-fused disconnect switches, 16 to 80 A	
Introduction and agency information	34
Product line summary	35
16 A, 25 A, 40 A, 63 A and 80 A standard	36-38
Enclosed UL 98 and UL 508 disconnect switches	
Introduction and agency information	39
Fused UL 98 enclosed disconnects, 30 to 800 A	40-41
Non-fused UL 98 enclosed disconnects, 30 to 1200 A	42-43
Non-fused UL 508 enclosed disconnects, 16 to 80 A	44-45

Disconnect switches

CCP Compact Circuit Protector fused disconnect switches for ferrule fuses

With a small footprint, the CCP fused disconnect switch offers many advantages over other fused disconnects. Available in 1-, 2- and 3-pole versions, this smaller size CCP is offered in UL Class CC, UL supplemental and IEC 10x38mm fuses versions.



Ratings

- See catalog number table

Agency information

- Class CC fuse versions
 - UL 98 Listed, Guide WHTY, File E302370
 - cULus to CSA Standard 22.2 No. 4-04, Guide WHTY7, File 302370
- UL midget and 10X38mm IEC fuse versions
 - UL 508 Listed, Guide NRNT, File E320230
 - cULus Certified 22.2 No. 14-05
 - IEC 60947-3 AC23A — IEC 60947-3 DC23A
- RoHS compliant
- CE

Terminals

- Single/dual conductor box lug
- Fork terminal suitable for line, load or accessory connection

Storage and operating temperature -20°C to 75°C*

* For fuse performance under or above 25°C, consult fuse performance derating charts in the Eaton publication titled Selecting Protective Devices (SPD), reorder #3002.

Lockout/tagout provisions

- 4mm shank lock or Brady pin-out device, part number 90850

Mounting 35mm DIN-Rail

Local open fuse indication minimum voltage**

- 90 Vac for AC versions, 12 Vdc for DC versions

**Open fuse indication requires an open fuse to be in the CCP and the switch in the ON position.

Features

- IP20 Finger-safe construction with 10 AWG or larger wire
- Switch interlock prohibits removing the fuse under load

Accessories

- Auxiliary contacts
- PLC wired remote fuse indication

1-, 2- and 3-pole, Class CC, UL midget and 10x38mm IEC												
Amps	Fuse class	Poles	Volts	SCCR	Max. Hp* (Vac)				Conductors		Agency info.	Catalog no.
					120	240	480	600	AWG size†††	Type		
30	CC	1	600 Vac	200 kA	0.5	—	—	—	Single/dual; 8-6 Sol/Str	75°C Cu or higher	UL 98 Listed, cULus 22.2, No. 4-04	CCP-1-30CC
		2			—	2	—	—				CCP-2-30CC
		3			0.75	3	5	7.5				CCP-3-30CC
30	UL Midget	1	240 Vac†	10 kA†	—	—	—	Single; 4 Sol/Str	75°C Cu or higher	UL 508 Listed, cULus 22.2, No. 14-05 IEC 60947-3, AC-23A	CCP-1-30M	
32*	IEC 10x38		400 Vac†	120 kA†	—	—	—				CCP-2-30M	
30	UL Midget	2	240 Vac†	10 kA†	—	—	—	Fork terminal††	75°C Cu or higher	UL 508 Listed, cULus 22.2, No. 14-05 IEC 60947-3, AC-23A	CCP-3-30M	
32*	IEC 10x38		400 Vac†	120 kA†	—	—	—				CCP-3-30M	
30	UL Midget	3	240 Vac†	10 kA†	—	—	—	Fork terminal††	75°C Cu or higher	UL 508 Listed, cULus 22.2, No. 14-05 IEC 60947-3, DC-23A	CCP-1-DCC	
32*	IEC 10x38		400 Vac†	120 kA†	—	—	—				CCP-1-DCM	
30	CC	1	80 Vdc†	20 kA†	—	—	—	—	—	UL 98 Listed, CSA 22.2, No. 4-04	CCP-1-DCC	
30	CC	1	80 Vdc†	10 kA†	—	—	—	—	—	UL 508 Listed, cULus 22.2, No. 14-05	CCP-1-DCM	
32*	IEC 10x38											IEC 60947-3, DC-23A

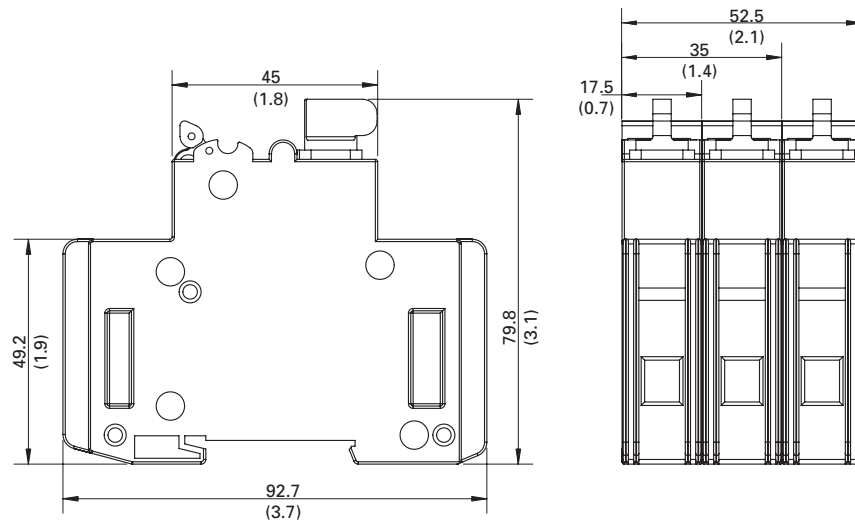
* 32 A Class aM, 25 A Class gG.
 † SCCR May be lower, refer to installed fuse data sheets.
 †† Fork terminal with a 4.3mm gap for a #8-32 stud, 30 A max, insulated flange, wire size 12-10 AWG.
 ††† 18-10 AWG; 20 lb-in 2.3N•m, 8-4 AWG; 35 lb-in 4.0N•m

Available Bussmann series fuses

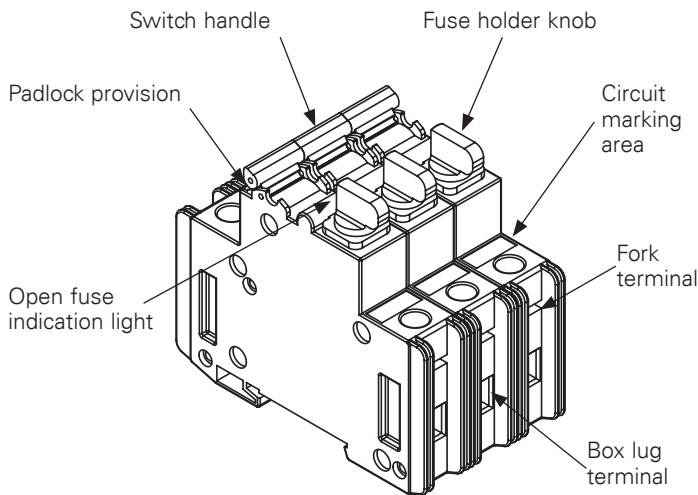
Fuse class	Type/description	Fuse class	Type/description
CC	LP-CC time-delay, current limiting	Midget	FNM time-delay
	FNQ-R time-delay		FNQ time-delay
	KTK-R fast-acting		KTK fast-acting
gG/gL	C10G		BAF fast-acting
aM	C10M		KLM fast-acting

CCP Compact Circuit Protector fused disconnect switches for ferrule fuses

Dimensions — mm (in)



Disconnect switches



Auxiliary contacts



PLC indicator (Includes leads with spade terminals)

CCP-_-30_ accessories

Description	Max. per CCP	Signal output	Min. circuit voltage	Agency information	Catalog no.
Auxiliary contacts NO+NC for switch status	1 per CCP (1-, 2- or 3-pole)	5 A/240 Vac	—	UL 98 Recognized, cURus 22.2 No. 4-04, IEC 60947-5-1 AC15	CCP- AUX*
PLC fuse monitor for open fuse indication	1 per CCP (1-, 2- or 3-pole)	24 Vdc/ 10m A	100 Vac	UL 98 Recognized, cURus 22.2 No. 4-04	CCP-PLC-IND*

* Refer to data sheet no. 1157 for details.

CCP Compact Circuit Protector CUBEFuse disconnect switches

With a small footprint, the CCP fused disconnect switch offers many advantages over other fused disconnects. Available in 1-, 2- and 3-pole versions, the CUBEFuse CCP is offered in a larger size for the UL Class CF CUBEFuse available in time-delay and fast-acting versions in ratings from 1 to 100 amps.



Agency information

- UL 98 Listed, Guide WHTY, File E302370
- cULus to CSA Standard 22.2 No. 4-04, Guide WHTY7, File 302370
- RoHS compliant
- CE

Terminals

- Single/dual conductor box lug or spade terminal suitable for line, load or accessory connection

Fuses

- Time-delay CUBEFuse, see data sheet no. 9000
- Fast-acting CUBEFuse, see data sheet no. 2147

Storage and operating temperature

- -20°C to 75°C***

*** For fuse performance under or above 25°C, consult fuse performance derating charts in the Bussmann Division publication Selecting Protective Devices (SPD) document no. 3002.

Amps	Poles	Volts	SCCR (kA)	Max. Hp (Vac)*				Conductor AWG size**	Type	Agency information	Catalog no.
				120	240	480	600				
30	1	600 Vac	200	1.5	—	—	—	Single/dual; 18-6 Sol/Str			CCP-1-30CF
	2	125 Vdc	100	—	3	—	—				CCP-2-30CF
	3	600 Vac	200	—	5	15	10				CCP-3-30CF
60	1	600 Vac	200	3	—	—	—	Fork terminal†	75°C Cu or higher	UL 98 Listed	CCP-1-60CF
	2	125 Vdc††	100	—	7.5	—	—				CCP-2-60CF
	3	600 Vac	200	—	7.5	20	10				cULus 22.2, No. 4-04
100	1	600 Vac	200	5	—	—	—	Single; 8-10 Sol/Str, 8-1 Str			CCP-1-100CF
	2	125 Vdc†††	100	—	10	—	—	Dual; 6 Str			CCP-2-100CF
	3	600 Vac	200	—	20	50	50	Fork terminal†			CCP-3-100CF

* With time-delay Low-Peak CUBEFuse.

** 30-60 A — 18-10 AWG 20 lb-in, 8-6 AWG 35 lb-in, 4 AWG 35 lb-in, 70-100 A — 18-10 AWG Single 25 lb-in, 8-1 AWG Single 35 lb-in, 6 AWG Dual 45 lb-in.

† Fork terminal with a 4.3mm gap for a #8-32 stud, 30 A max, insulated flange, wire size 12-10 AWG.

†† Up to 40 A max, >40 A is 24 Vdc.

††† Up to 80 A max, >80 A is 24 Vdc.

Lockout/tagout provisions

- 1/4" shank lock

Mounting

- 35mm DIN-Rail

Local open fuse indication minimum voltage†

- 90 V

† Open fuse indication requires an open fuse to be in the CCP and the switch in the ON position.

Features

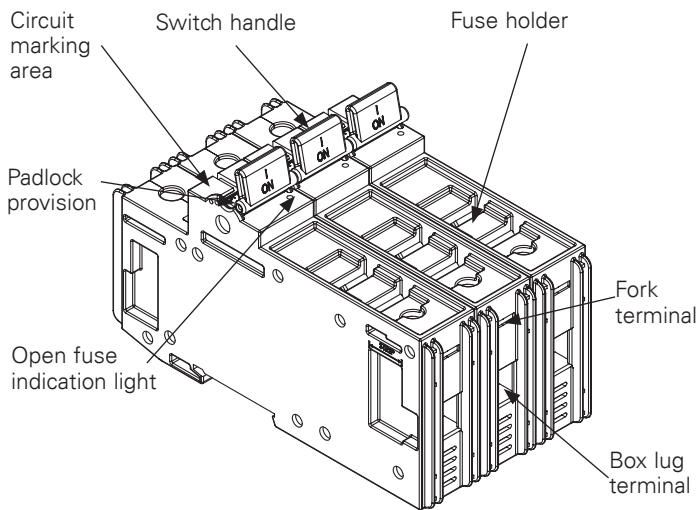
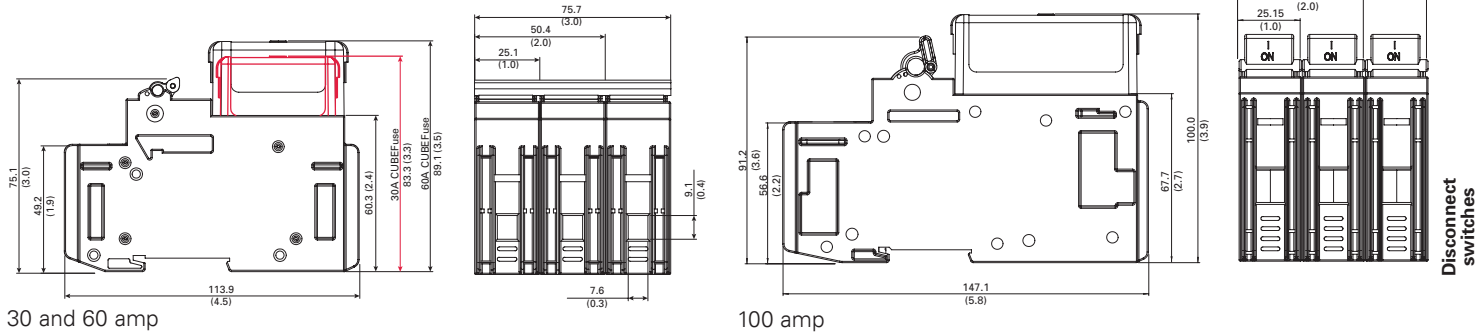
- Ampacity rejecting disconnects will not accept CUBEFuse amp ratings greater than switch rating
- IP20 Finger-safe construction with 10 AWG (6mm²) wire or larger
- Built-in switch interlock capability prohibits removing the fuse under load

Accessories

- Auxiliary contacts
- PLC wired remote fuse indication
- CUBEFuse pullers (P/Ns: CFP-30, CFP-60, CFP-100)

CCP Compact Circuit Protector CUBEFuse disconnect switches

Dimensions — mm (in)



Auxiliary contacts



PLC indicator (Includes leads with spade terminals)

CCP- _ _ CF accessories

Description	Max. per CCP	Signal output	Min. circuit voltage	Agency information	Catalog no.
Auxiliary contacts NO+NC for switch status up to 60 A	1 per CCP (1-, 2-, 3-pole)	5 A/ 240 Vac	—	UL 98 Recognized, cURus 22.2 No. 4-04, IEC 60947-5-1 AC15	CCP- AUX*
Auxiliary contacts NO+NC for switch status 70 to 100 A				UL 98 Recognized, CSA C22.2 No. 4	CCP- AUX-100*
PLC fuse monitor for open fuse indication up to 60 A	1 per CCP (1-, 2-, 3-pole)	24 Vdc/ 10mA	100 Vac	UL 98 Recognized, cURus 22.2 No. 4-04	CCP-PLC-IND*
PLC fuse monitor for open fuse indication 70 to 100 A				UL 98 Recognized, CSA C22.2 No. 4	CCP-PLC-100*

* Refer to data sheet no. 1157 for details.

CCPB Compact Circuit Protector Base fused branch circuit disconnect

The Bussmann series CCPB is based upon the CCP-CF with modifications specific for application in fused panelboards as a branch circuit disconnect. It is most commonly used in the Bussmann series Quik-Spec™ Coordination Panelboard.

Available in 1-, 2- and 3-pole versions, the CCPB features amp rating breaks that coincide with common conductor ampacities. As such, the CCPB is a rejection fused switch and will accept any CUBEFuse amp rating up to the switch's, but not more. This unique feature helps prevent overfusing the circuit and promotes electrical safety.

For the most current information on these switches, please visit our website Eaton.com/bussmannseries.



Local indication

- Illumination requires closed circuit and minimum 90 V

Features

- Uses finger-safe Class CF time-delay or fast-acting CUBEFuse
- High 200 kA short-circuit current ratings
- Disconnect rated to provide means for load isolation
- Full voltage rated at 600 Vac and 125 Vdc
- UL 98 Listed and suitable for branch circuit disconnect and branch circuit protection
- 1-, 2- and 3-pole versions are horsepower rated
- Patented rejection feature helps prevent overfusing
- Complies with UL and cULus
- Open fuse indication light per pole
- Additional open fuse indication can be provided by using the indicating CUBEFuse version
- Built-in switch/fuse interlock prohibits removing the fuse while energized
- Permanent lockout/tagout provisions

Ratings

- Volts
 - Up to 600 Vac
 - Up to 125 Vdc
- Amps/rejection breaks 15, 20, 30, 40, 50, 60, 70, 90 and 100 amps
- SCCR
 - 200 kA AC
 - 100 kA DC

Agency information

- UL 98 Listed, Guide WHTY, File E302370, cULus to CSA Standard 22.2 No. 4, Guide WHTY7, File E302370
- RoHS compliant
- CE

Buss connector

- Bolt-on 10-32 UNC hex flange
- Phillips screw, torque to 25 lb-in (2.8N•m)

Loadside terminals/ AWG conductors

- Box lug (75°C, Cu/Al)
 - 18-6 single and dual rated, solid or stranded
 - 4 single
 - Torque, 18-10 20 lb-in (2.2 N•m), 8-4 35 lb-in (3.9 N•m)
- Loadside fork terminal
 - Max. 30 A suitable for use with #8-32 screw

Fuses

- Time-delay CUBEFuse
- Fast-acting CUBEFuse

Data sheet no: 1161



The CCPB fused branch circuit disconnect is used in the Bussmann series Quik-Spec™ Coordination Panelboard. For details, see the QSCP in Section 12.

CCPLP UL 98 Listed low profile Compact Circuit Protector

The revolutionary Bussmann series low profile Compact Circuit Protector (CCPLP) is a UL 98/508 Listed fused disconnect switch. This panel mount switch is available in 1-, 2- and 3-pole versions, and has the smallest footprint of any fused disconnect switch. It features an SCCR up to 200 kA to help improve equipment SCCR.



Four fuse types

The CCPLP is available for UL Class CC and G, UL supplemental (13/32" x 1-1/2") and IEC 10x38mm fuses.

Class CC and G versions are easily selectively coordinated with the upstream Bussmann series CUBEFuse™ using published fuse ampacity ratio tables.

Design/application flexibility

The CCPLP is easily integrated into many panel designs and provides a high SCCR alternative to low profile circuit breakers on the market.

Ratings

- Volts
 - 600 Vac (Class CC up to 30 A, Class G 20 A)
 - 550 Vac (10x38mm IEC Class aM 0.16-16 A)
 - 500 Vac (10x38mm IEC Class gG 0.5-25 A)
 - 400 Vac (10x38mm IEC Class aM 20-32 A, gG 32 A)
 - 240 Vac (13/32" x 1-1/2" UL supplemental 30 A)
- Amps
 - Up to 30 A (UL)
 - Up to 32 A (IEC)
- SCCR
 - 200 kA (Class CC)
 - 120 kA (10x38mm IEC Class gG and aM)
 - 100 kA (Class G)
 - 10 kA (13/32" x 1-1/2" UL supplemental)
- Frequency 50/60 Hz
- Impulse voltage 8 kV

Terminals and conductors 75°C/90°C Cu

- Screw terminal, 10-32 phil-slot screw with external tooth lock washer (use with properly rated/UL Listed ring or fork terminal)
- Pressure plate terminal, 10-32 phil-slot screw (single 22-6 AWG solid or stranded)

Ambient storage and operating temperature

- -20 to 90°C, 85% relative humidity, non-condensing

Poles

1-, 2- and 3-pole factory configured*

* 2- and 3-pole versions supplied as ganged switches with phase barriers.

Agency information

- Class G fuse versions
 - UL 98 Listed, Guide WHTY, File E302370
 - IEC 60947-3 AC-23A
- Class CC fuse versions
 - UL 98 Listed, Guide WHTY, File E302370
 - cULus to CSA Standard 22.2 No. 4-04, Guide WHTY7, File E302370
 - IEC 60947-3 AC-23A
- UL supplemental and IEC 10x38mm fuse versions
 - UL 508 Listed, Guide NRNT, File E320230
 - cULus Listed to CSA 22.2 No. 14-05, Guide NRNT7, File E320230
 - IEC 60947-3 AC-23A
- RoHS compliant
- CE

Safety

- Finger-safe IP20 from panel front

Mounting

- Front panel mounting with customer supplied M3 screws

Open fuse indication*

- Local open fuse indication provided for each pole by an orange neon lamp (minimum 90 V)
- * Open fuse indication requires an energized, closed circuit with an open fuse in the CCPLP and the switch in the ON position.

Lockout/tagout provision

- Brady pin-out device, part number 90844

Circuit labeling provision

- Accepts up to two universal marker labels, catalog number TM26CB

Carton quantity

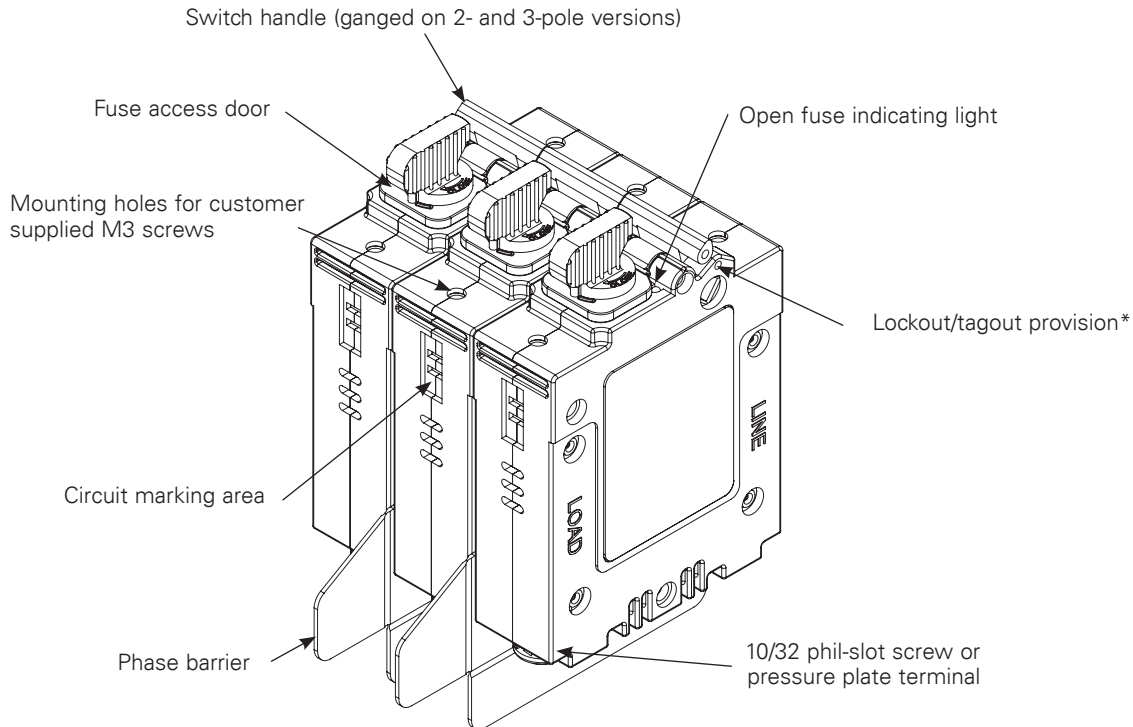
- 12 poles (1-pole: 12 units, 2-pole: 6 units, 3-pole: 4 units)

Minimum enclosure size

- 6" x 6" x 4" per UL 98 Listing

Available CCPLP versions

Catalog no.		Poles	Volts AC	Amps	SCCR (kA)	Horsepower (Vac)			
Screw terminal	Pressure plate terminal					120	240	480	600
UL Class G fuse									
CCPLP-1-20G-S	CCPLP-1-20G-P	1	600	20	100	—	—	—	—
CCPLP-2-20G-S	CCPLP-2-20G-P	2							
CCPLP-3-20G-S	CCPLP-3-20G-P	3							
UL Class CC fuses									
CCPLP-1-30CC-S	CCPLP-1-30CC-P	1	600	30	200	0.5	—	—	—
CCPLP-2-30CC-S	CCPLP-2-30CC-P	2							
CCPLP-3-30CC-S	CCPLP-3-30CC-P	3							
UL 13/32"x1-1/2" midget fuses									
CCPLP-1-30M-S	CCPLP-1-30M-P	1	240	30	10	—	—	—	—
CCPLP-2-30M-S	CCPLP-2-30M-P	2							
CCPLP-3-30M-S	CCPLP-3-30M-P	3							
IEC 10x38 gG and aM fuses									
CCPLP-1-30M-S	CCPLP-1-30M-P	1	gG fuses: — up to 25 A @ 500 V — 32 A @ 400 V		120	—	—	—	—
CCPLP-2-30M-S	CCPLP-2-30M-P	2	aM fuses: — up to 16 A @ 550 A — 20-23 A @ 400V		120	—	—	—	—
CCPLP-3-30M-S	CCPLP-3-30M-P	3			120	—	—	—	—



* Use Brady pin-out device, P/N 90844

Available Busmann series fuses

Fuse class	Catalog symbol
CC	FNQ-R, KTK-R, LP-CC
G	SC
M	BAF, FNM, FNQ, KLM, KTK
gG	C10G
aM	C10M

UL 98 fused disconnect switches up to 800 A

Bussmann series UL 98 and UL 489 fused disconnect switches “break” and “make” power circuits ON and OFF load.

The switches employ double break contacts per pole that help ensure complete isolation of the fuse when the switch is in the “OFF” position.

Agency information

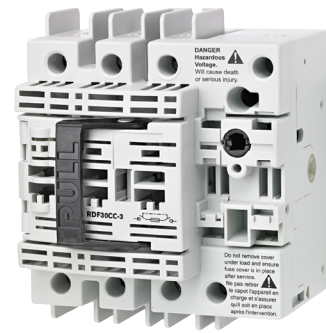
- UL 98, Guide WHTY, File E155130
- UL 489, Guide WJAZ, File E359801
- CSA 22.2 No. 4, File 257020
- Conforms with IEC 60947-3
- NFPA 79

Features

- Make and break power under load
- Double break by pole
- 30-60 A DIN-Rail or panel mount, 100-800 A panel mount only
- Up to 200 kA short-circuit current rating
- Finger-safe covers
- Compact footprints available
- Defeatable handles automatically re-latch when the panel door is closed
- Most disconnect switches are front, right side, flange or direct handle operable
- NFPA 79 compliant handle kits

Online resources available at Eaton.com/bussmannseries

- CAD drawings
- Instruction sheets
- UL information



Disconnect switches

Available Bussmann series fuses

Fuse class	Catalog symbol/type
CC	LP-CC time-delay, current limiting
	FNQ-R time-delay
	KTK-R fast-acting
J	LPJ time-delay, current limiting
	JKS fast-acting fuses
	DFJ high speed drive fuse
L	KRP-C time-delay, current limiting
	KTU fast-acting
	KLU time-delay
	KRP-CL (225-600 A)

UL 98 fused disconnect switches — 30 to 800 A



RDF30CC-3



RDF30J-3 / RDF60J-3-COMP



RDF60J-3



RDF200J-3



RDF600J-3

Poles	Catalog no.										
2-pole	—	—	RDF30J-2	RDF60J-2-COMP	RDF60J-2	RDF100J-2	RDF200J-2	RDF400J-2	RDF600J-2	RDF800L-2	
3-pole	RDF30CC-3	RDF30J-3-COMP	RDF30J-3	RDF60J-3-COMP	RDF60J-3	RDF100J-3	RDF200J-3	RDF400J-3	RDF600J-3	RDF800L-3	
3-pole + neutral	RDF30CC-3N	RDF30J-3N-COMP	—	—	—	—	—	—	—	—	
4-pole	—	—	RDF30J-4	RDF60J-4-COMP	RDF60J-4	RDF100J-4	RDF200J-4	RDF400J-4	RDF600J-4	RDF800L-4	
UL standard	UL 489	UL 489	UL 98	UL 98	UL 98	UL 98	UL 98	UL 98	UL 98	UL 98	
Fuse class	CC	J	J	J	J	J	J	J	J	L	
Max fuse/ampacity	30	30	30	60	60	100	200	400	600	800	
Switch type	Compact	Compact	Standard	Compact	Standard	Standard	Standard	Standard	Standard	Standard	
Handle operation	Front	Front	Front/Side	Front/Side	Front/Side	Front/Side , Flange	Front/Side , Flange	Front/Side , Flange	Front , Flange	Front , Flange	
UL electrical ratings											
Max AC volts	600 Vac	600 Vac	600 Vac	600 Vac	600 Vac	600 Vac	600 Vac	600 Vac	600 Vac	600 Vac	
Max DC volts*	—	—	250 Vdc	250 Vdc	250 Vdc	250 Vdc	—	250 Vdc	600 Vdc	600 Vdc	
Std. AC Hp ratings	1-phase, 240	—	3	10	10	10	10	10	—	—	
	3-phase, 240	3	3	7.5	7.5	15	25	50	75	75	
	3-phase, 480	5.0	5.0	5.0	15	15	25	50	150	200	
	3-phase, 600	7.5	7.5	7.5	15	15	30	60	125	200	
Max. AC Hp ratings	3-phase, 240	7.5	7.5	15	15	30	60	125	200	200	
	3-phase, 480	15	15	30	30	60	125	250	400	500	
	3-phase, 600	20	20	50	50	75	150	350	500	500	
DC Hp ratings	125 Vdc	—	3	5	5	7.5	—	20	—	—	
	250 Vdc	—	5	10	10	20	—	50	—	—	
Electrical characteristics											
SCCR	100 kA	100 kA	200 kA	100 kA	200 kA	200 kA	200 kA	200 kA	200 kA	200 kA	
Terminal lugs/kits	Integral	Integral	Integral	Integral	Integral	Integral	•	•	•	•	
Mounting torque - lb-in (N•m)	—	—	—	—	—	—	160 (18)	310 (35)	310 (35)	310 (35)	
Wire type	75°C Cu	75°C Cu	75°C Cu	75°C Cu	75°C Cu	75°C Cu	75°C Cu/ Al	75°C Cu/ Al	75°C Cu/ Al	75°C Cu/ Al	
Wire range, torque - lb-in (N•m)	Solid	14-10, 27 (3.1)	14-10, 27 (3.1)	14-10, 31 (3.5)	14-10, 31 (3.5)	12-10, 35.4 (4)	12-10, 35.4 (4)	—	—	—	
	Stranded	14-10 27 (3.1)	14-10 27 (3.1)	14-6 , 31 (3.5)	14-6, 31 (3.5)	12-1, 35.4 (4)	12-1, 35.4 (4)	6-300 kcmil, 275 (31)	4-600 kcmil, 550 (62), Dual 1/0-250 kcmil 550 (62)	(2) 2-600 kcmil, 375 (42.4)	(2) 2-600 kcmil, 375 (42.4)
Mechanical characteristics											
Endurances/cycles	10,000	10,000	10,000	10,000	10,000	10,000	8000	6000	5000	5000	
Physical characteristics											
Dimensions											
Weight - lbs (kg)	2-pole	—	—	3.0 (1.3)	3.1 (1.4)	4.1 (1.8)	4.1 (1.8)	5.7 (2.6)	11.4 (5.2)	31.7 (14.4)	31.7 (14.4)
	3-pole	1.3 (0.6)	1.4 (0.6)	3.8 (1.7)	4.1 (1.8)	5.3 (2.4)	5.3 (2.4)	7.8 (3.5)	16.6 (7.6)	44.2 (20.1)	44.2 (20.1)
	3-pole + neutral	1.4 (0.6)	1.5 (0.7)	—	—	—	—	—	—	—	—
	4-pole	—	—	4.7 (2.1)	4.8 (2.2)	6.49 (2.9)	6.49 (2.9)	10.8 (4.9)	21.8 (9.9)	56.8 (25.8)	56.8 (25.8)
Environmental											
Operating temp. range	-20-70°C	-20-70°C	-20-70°C	-20-70°C	-20-70°C	-20-70°C	-20-70°C	-20-70°C	-20-70°C	-20-70°C	
Flammability rating	UL 94-V0	UL 94-V0	UL 94-V0	UL 94-V0	UL 94-V0	UL 94-V0	UL 94-V0	UL 94-V0	UL 94-V0	UL 94-V0	
Accessories											
Lug Kit	Integral	Integral	Integral	Integral	Integral	Integral	•	•	•	•	
Handles	Direct	•	•	•	•	•	•	•	•	•	
	Front selector	•	•	—	—	—	—	—	—	—	
	Front pistol	•	•	•	•	•	•	•	•	•	
Flange	Side pistol	—	—	•	•	•	•	•	•	•	
	Cable	—	—	•	•	•	•	•	•	•	
Shaft	Shaft	—	—	•	•	•	•	•	•	•	
	NFPA through door handle	•	•	•	•	•	•	•	•	•	
Shafts c/s - mm	5x5	5x5	10x10	10x10	10x10	10x10	10x10	10x10	12X12	12X12	
Terminal shrouds	Not Required	Not Required	Not Required	Not Required	Not Required	Not Required	•	•	•	•	
Auxiliary contacts	(1) NO	•	•	•	•	•	•	•	•	•	
	(1) NC	•	•	•	•	•	•	•	•	•	
AC ratings	Volts	600	600	600	600	600	600	600	600	600	
	Amps	10	10	10	10	10	10	10	10	10	

• Available, see product page for details and catalog numbers.


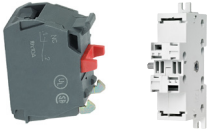
— Not available.

* General purpose only, not photovoltaic rated.

UL 98 fused rotary disconnect switches — 30 A

Standard 30 amp Class CC and compact 30 amp Class J

For a complete assembly, select:

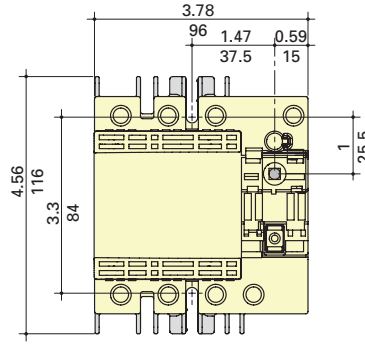
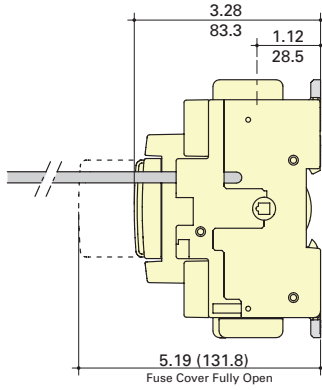
Switch		Switch										
		Amps	Fuse class	Poles	SCCR (kA)	Max Hp rating, 3-phase			Conductor AWG size /type	Catalog no.		
	Switch	30	CC	3	100	7.5	15	20	14-10 Sol/Str	RDF30CC-3		
		30		3 + Ntrl.*	100	7.5	15	20		RDF30CC-3N		
		30	J	3	100	7.5	15	20	75°C Cu	RDF30J-3-COMP		
		30		3 + Ntrl.*	100	7.5	15	20		RDF30J-3N-COMP		
* Neutral is switched.												
Plus												
	Handle	Direct mount handle - mounts directly to switch, no shaft required										
		For switch cat. no.	Color	Test function	Padlockable	Catalog no.						
		RDF30CC-__	Black	Y	Y	DIR-05						
RDF30J-_-COMP	DIR-06											
OR												
 +	Handle	External front operated selector handle - shaft required										
		NEMA type	Color	Test function	Padlockable	Defeatable	Catalog no.					
		1, 3R, 4, 4X, 12	Black	N	Y	Y	H4X-04B					
		1, 3R, 4, 4X, 12	Red/yellow				H4X-04R					
		Shafts for selector handles										
Length - in (mm)	Mounting depth (X) - in (mm)	Catalog no.										
7.9 (200)	4.02~9.65 (102~245)	SH1-200										
12.6 (320)	4.02~14.37 (102~365)	SH1-320										
15.7 (400)	4.02~17.52 (102~445)	SH1-400										
OR												
 or  +	Handle	External front operated pistol handles - shaft required										
		NEMA type	Color	Test function	Padlockable	Defeatable	Catalog no.					
		1, 3R, 12	Black	N	Y	Y	H12-05B					
		1, 3R, 12	Red/yellow				H12-05R					
		1, 3R, 4, 4X, 12	Black	Y	Y	Y	H4X-05B					
		1, 3R, 4, 4X, 12	Red/yellow				H4X-05R					
		1, 3R, 4, 4X, 12	Black	Y	Y	Y	H4X-05TB					
		1, 3R, 4, 4X, 12	Red/yellow				H4X-05TR					
		Metallic hasp (heavy duty) external front operated pistol handles - shaft required										
		NEMA type	Color	Test function	Padlockable	Defeatable	Catalog no.					
1, 3R, 4, 4X, 12	Black	N	Y	Y	H4X-05BHD							
1, 3R, 4, 4X, 12	Red/yellow				H4X-05RHD							
Shafts for pistol handles												
Length - in (mm)	Mounting depth (X) - in (mm)	Catalog no.										
7.9 (200)	4.02~9.65 (102~245)	SH2-200										
12.6 (320)	4.02~14.37 (102~365)	SH2-320										
15.7 (400)	4.02~17.52 (102~445)	SH2-400										
OR												
	Accessories	NFPA through the door handle kit - to be used with front pistol handle										
		Color	Test function	Padlockable	Defeatable	Catalog no.						
Red	N	Y	N	H79-1								
AND...												
	Auxiliary contacts	Auxiliary contacts										
		Contact type	No. of contacts	Continuous amp rating	Voltage (Vac)	Maximum number of auxiliary contacts per disconnect switch catalog number				Catalog no.		
		NO	1	10	600	RDF30CC-_: 4 / 8 with BAC-HOLDER2				BAC05 (1)		
		NC				BAC05 (1) RDF30J-_-COMP: 2 / 6 with BAC-HOLDER2				BAC06 (1)		
Auxiliary contact holder					Accepts 4 Auxiliary contacts: BAC05 or BAC06				BAC-HOLDER2 (2)			

Disconnect switches

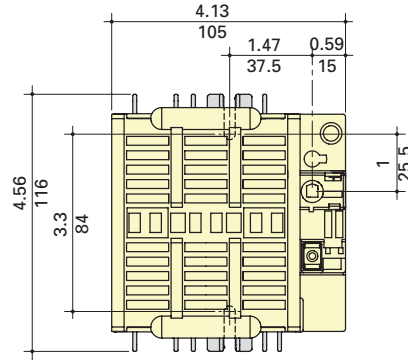
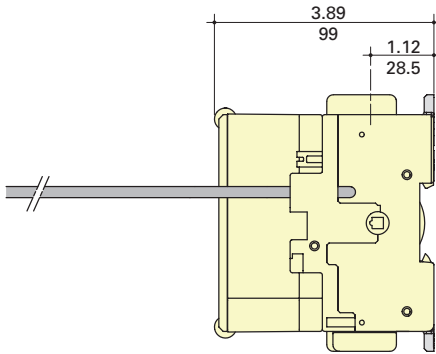
Select for standard applications

Dimensions — in (mm)

RDF30CC-



RDF30J- -COMP

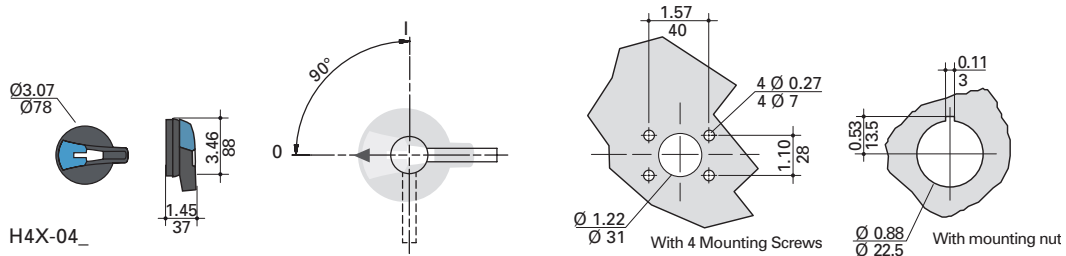


External front selector handle

Selector handle type

Direction of front operation

Door drilling layout

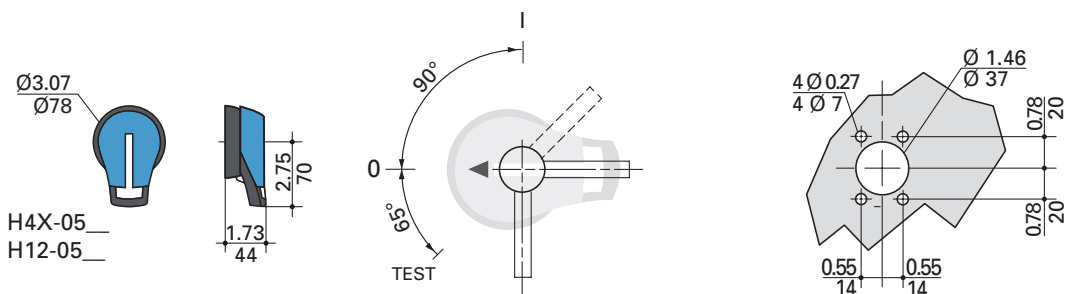


External front pistol handles

Pistol handle type



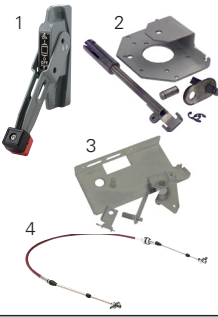

Direction of front operation

Door drilling layout

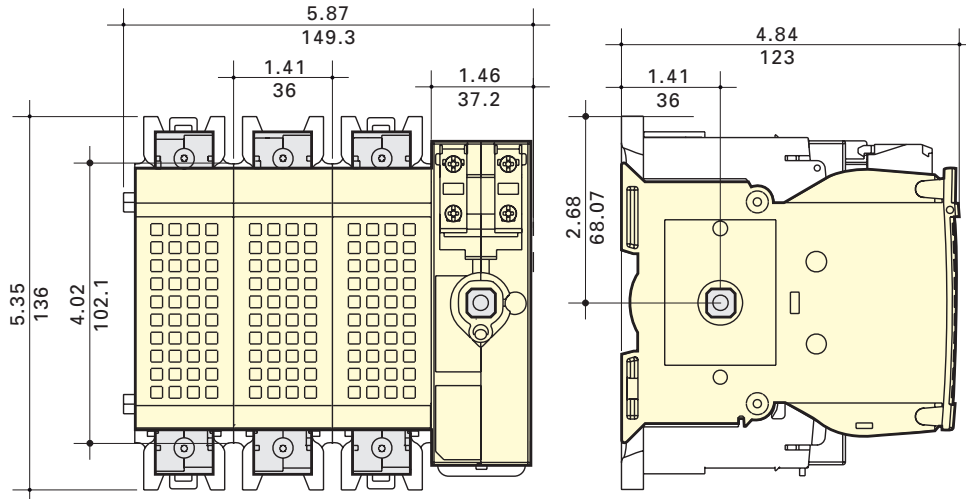


Standard 30 amp Class J

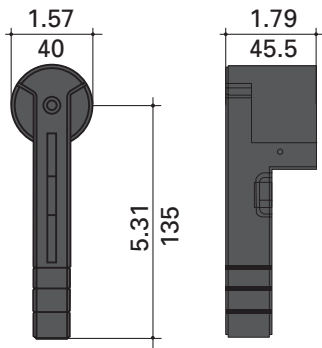
For a complete assembly, select:

		Switch												
		Amps	Fuse class	Poles	SCCR (kA)	Max horsepower rating					Conductors AWG size / type	Catalog no.		
1-phase	3-phase					DC*								
Switch		30	J	2 3 4	200	3 - -	- 7.5 7.5	- 15 15	- 20 20	3 3 3	5 5 5	14-10 Sol/14-6 Str 75°C Cu	RDF30J-2 RDF30J-3 RDF30J-4	
		* DC ratings use two poles in series.												
		PLUS												
		Direct mount handle - mounts directly to switch, no shaft required												
		For switch cat. no.	Color			Test function			Padlockable		Catalog no.			
		All switches	Black			Y			Y - On switch		DIR-07			
Select for standard applications	Handle	OR										Disconnect switches		
		External front operated pistol handles - shaft required												
		NEMA type	Color			Test function			Padlockable		Defeatable		Catalog no.	
		1, 3R, 12	Black			N							H12-05B	
			Red/yellow										H12-05R	
		1, 3R, 4, 4X, 12	Black			Y			Y				H4X-05B	
			Red/yellow										H4X-05R	
			Black										H4X-05TB	
		Red/yellow			Y								H4X-05TR	
		Metallic hasp (heavy duty) external front operated pistol handles - shaft required												
NEMA type	Color		Test function			Padlockable		Defeatable		Catalog no.				
1, 3R, 4, 4X, 12	Black		N			Y		Y		H4X-05BHD H4X-05RHD				
	Red/yellow													
External right side operated pistol handles - shaft required														
NEMA type	Color			Test function			Padlockable		Defeatable		Catalog no.			
1, 3R, 4, 4X, 12	Black			N			Y		N/A		H4X-05SB			
	Red/yellow										H4X-05SR			
Shafts for pistol handles														
Length — in (mm)	Mounting depth (X) — in (mm)			Catalog no.										
7.9 (200)	5.30~9.06 (135~230)			SH5-200										
12.6 (320)	5.30~13.78 (135~350)			SH5-320										
15.7 (400)	5.30~16.93 (135~430)			SH5-400										
OR														
	Flange handle (1) - requires shaft operated mechanism or cable operated mechanism + cable													
	NEMA type	Flange style			Test function			Padlockable		Defeatable		Catalog no.		
	1, 3R, 4, 12	Standard			N			Y		Y		FLH1		
	1, 3R, 4, 4X, 12	Chrome plated										FLH2		
	Shaft operated flange mechanism (2) - includes shaft													
	For enclosure depth - in (mm)											Catalog no.		
	6~24 (152~613)											FLRM		
	Cable operated flange mechanism and cable - must select mechanism (3) and cable (4)													
Item / length — in (mm)											Catalog no.			
Cable mechanism											FLCM			
36 (900) cable											FLC36			
60 (1500) cable											FLC60			
120 (3000) cable											FLC120			
OR														
	NFPA through the door handle kit - to be used with front pistol handle													
	Color			Test function			Padlockable		Defeatable		Catalog no.			
Red			N			Y		N		H79-2				
AND...														
Accessories	Aux. contacts	Auxiliary contacts												
		Contact type	No. of contacts		Continuous amp rating		Voltage (Vac)		Max. aux contacts per switch		Catalog no.			
		NO	1		10		600		4		BAC05			
	NC									BAC06				

Dimensions — in (mm)

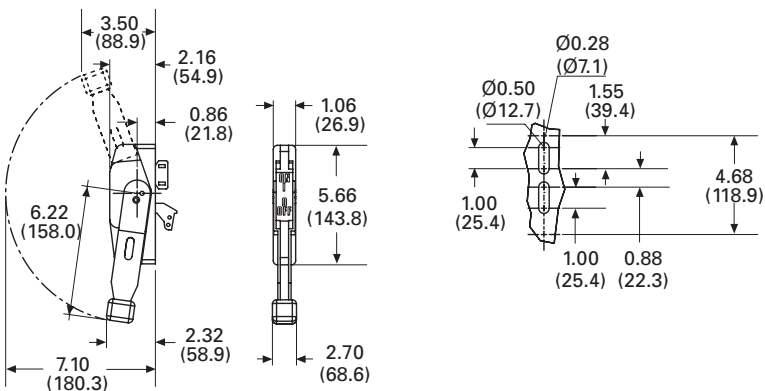


Direct mount handle



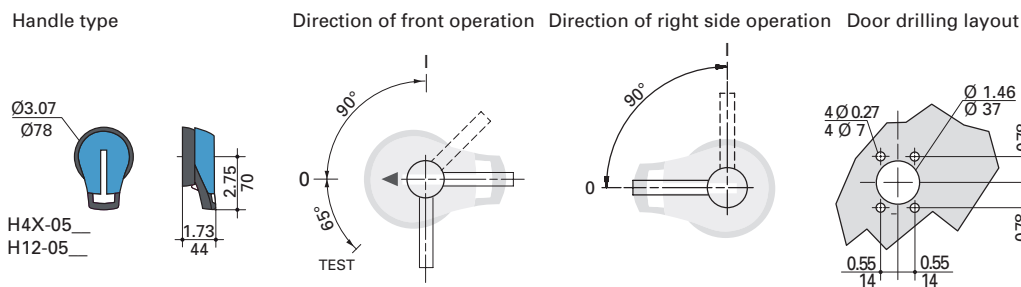
DIR-07

Flange handle




FLH_

External front and right side pistol handle



Compact 60 amp Class J

For a complete assembly, select:

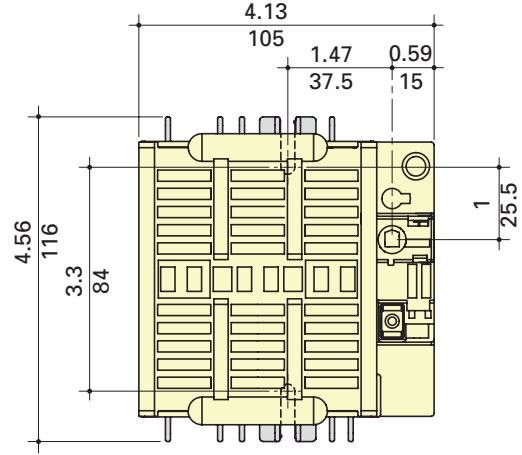
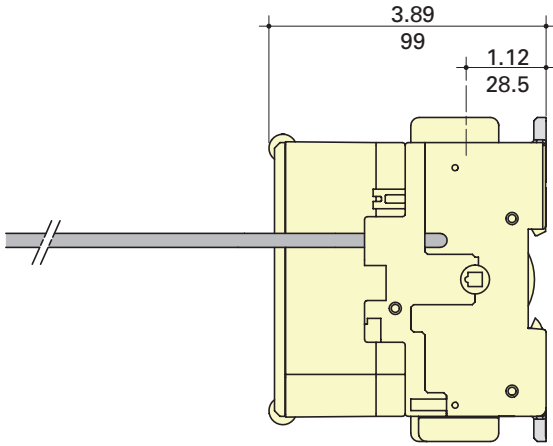
		Switch											
Switch		Amps	Fuse class	Poles	SCCR (kA)	Max horsepower rating					Conductor AWG size / type	Catalog no.	
						1-phase		3-phase		DC*			
						220/240	220/240	440/480	600	125			250
		60	J	2 3 4	100	10 - -	- 15 15	- 30 30	- 50 50	5 10 5	10 10 10	14-10 Sol/14-6 Str 75°C Cu	RDF60J-2-COMP RDF60J-3-COMP RDF60J-4-COMP
* DC ratings use two poles in series.													
PLUS													
Direct mount handle - mounts directly to switch, no shaft required													
For switch cat. no. Color Test function Padlockable Catalog no.													
All switches Black Y Y - on switch DIR-07													
OR													
External front operated pistol handles - shaft required													
NEMA type Color Test function Padlockable Defeatable Catalog no.													
1, 3R, 12 Black - - - H12-05B													
1, 3R, 12 Red/yellow - - - H12-05R													
1, 3R, 4, 4X, 12 Black N - - H4X-05B													
1, 3R, 4, 4X, 12 Red/yellow - Y Y H4X-05R													
1, 3R, 4, 4X, 12 Black - - - H4X-05TB													
1, 3R, 4, 4X, 12 Red/yellow Y - - H4X-05TR													
Metallic hasp (heavy duty) external front operated pistol handles - shaft required													
NEMA type Color Test function Padlockable Defeatable Catalog no.													
1, 3R, 4, 4X, 12 Black N Y Y H4X-05BHD													
1, 3R, 4, 4X, 12 Red/yellow - - - H4X-05RHD													
External right side operated pistol handles - shaft required													
NEMA type Color Test function Padlockable Defeatable Catalog no.													
1, 3R, 4, 4X, 12 Black N Y N/A H4X-05SB													
1, 3R, 4, 4X, 12 Red/yellow - - - H4X-05SR													
Shafts for pistol handles													
Length — in (mm) Mounting depth (X) - in (mm) Catalog no.													
7.9 (200) 5.30~9.06 (135~230) SH5-200													
12.6 (320) 5.30~13.78 (135~350) SH5-320													
15.7 (400) 5.30~16.93 (135~430) SH5-400													
OR													
Flange handle (1) - requires shaft operated mechanism or cable operated mechanism + cable													
NEMA type Flange style Test function Padlockable Defeatable Catalog no.													
1, 3R, 4, 12 Standard N Y Y FLH1													
1, 3R, 4, 4X, 12 Chrome plated - - - FLH2													
Shaft operated flange mechanism (2) - includes shaft													
For enclosure depth - in (mm) Catalog no.													
6~24 (152~613) FLRM													
Cable operated flange mechanism and cable - must select mechanism (3) and cable (4)													
Item / length — in (mm) Catalog no.													
Cable mechanism FLCM													
36 (900) cable FLC36													
60 (1500) cable FLC60													
120 (3000) cable FLC120													
OR													
NFPA through the door handle kit - to be used with selector handle or front pistol handle													
Color Test function Padlockable Defeatable Catalog no.													
Red N Y N H79-2													
AND...													
Auxiliary contacts													
Contact type No. of contacts Continuous amp rating Voltage (Vac) Max. aux contacts per switch Catalog no.													
NO - - - - BAC05													
NC 1 10 600 4 BAC06													

Select for standard applications

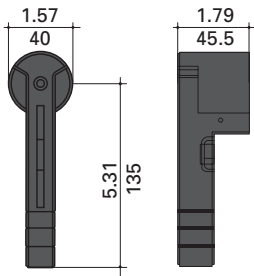
Handle

Disconnect switches

Dimensions — in (mm)

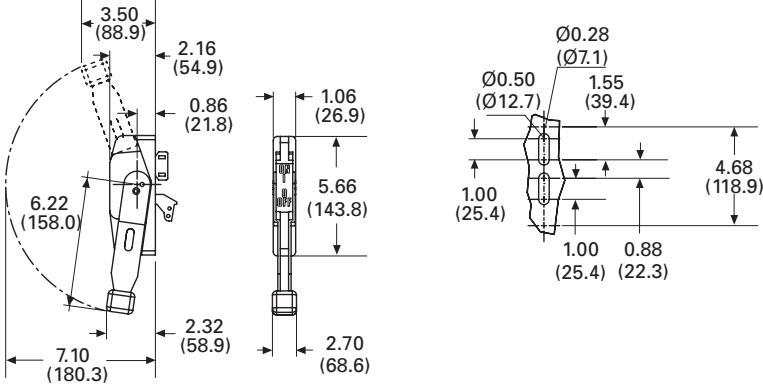


Direct mount handle



DIR-07

Flange handle



FLH_

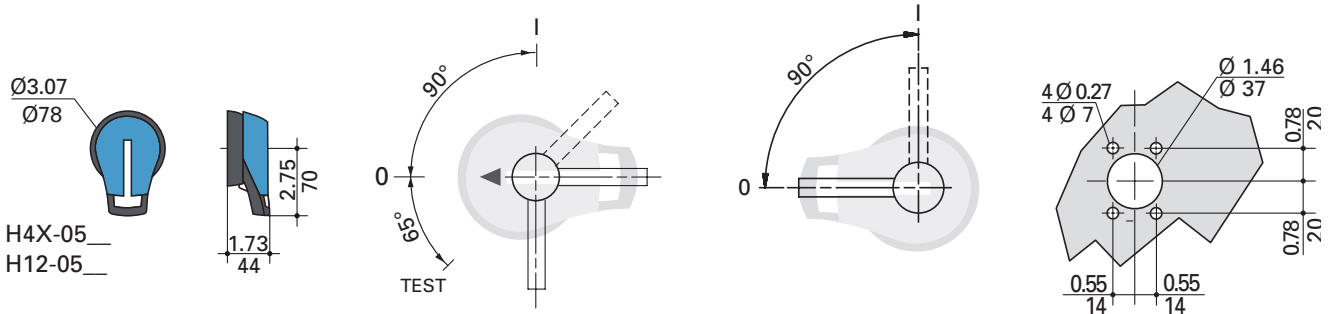
External front and right side pistol handle

Handle type

Direction of front operation








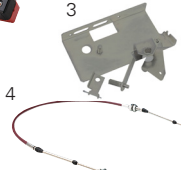



Direction of right side operation

Door drilling layout



Standard 60 amp Class J

For a complete assembly, select:

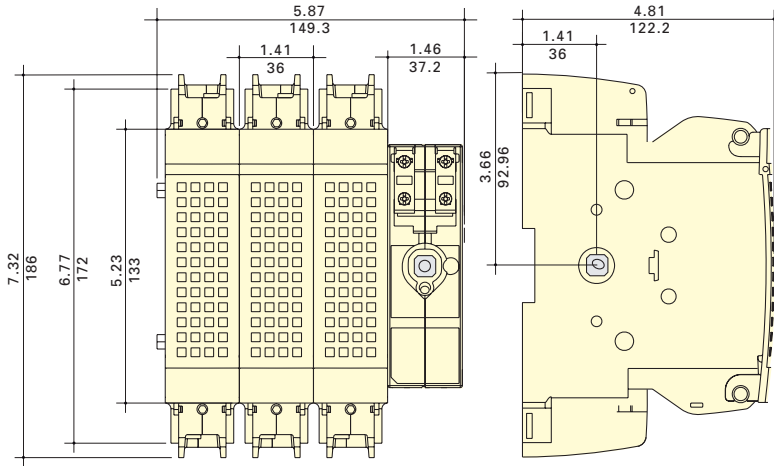
		Switch													
		Amps	Fuse class	Poles	SCCR (kA)	Max horsepower rating				Conductor AWG size/type	Catalog no.				
Switch		60	J	2	200	10	220/240	220/240	440/480	600	DC*	125	250	12-10 Sol/12-1 Str	RDF60J-2
				3	200	-	-	15	30	50	5	10	75°C Cu		RDF60J-3
				4	200	-	-	15	30	50	5	10			RDF60J-4
* DC ratings use two poles in series.															
		PLUS													
		Direct mount handle - mounts directly to switch, no shaft required													
		For switch cat. no.		Color		Test function		Padlockable		Catalog no.					
		All switches		Black		Y		Y		DIR-07					
		OR													
		External front operated pistol handles - shaft required													
		NEMA type		Color		Test function		Padlockable		Defeatable		Catalog no.			
		1, 3R, 12		Black		N						H12-03B			
		1, 3R, 12		Red/yellow								H12-03R			
		1, 3R, 4, 4X, 12		Black								H4X-06B			
		1, 3R, 4, 4X, 12		Red/yellow				Y		Y		H4X-06R			
		1, 3R, 4, 4X, 12		Black		Y						H4X-06TB			
		1, 3R, 4, 4X, 12		Red/yellow								H4X-06TR			
		Metallic hasp (heavy duty) external front operated pistol handles - shaft required													
		NEMA type		Color		Test function		Padlockable		Defeatable		Catalog no.			
		1, 3R, 4, 4X, 12		Black		N		Y		Y		H4X-06BHD			
		1, 3R, 4, 4X, 12		Red/yellow								H4X-06RHD			
		External right side operated pistol handles - shaft required													
		NEMA type		Color		Test function		Padlockable		Defeatable		Catalog no.			
		1, 3R, 4, 4X, 12		Black		N		Y		N/A		H4X-06SB			
		1, 3R, 4, 4X, 12		Red/yellow								H4X-06SR			
		Shafts for pistol handles													
		Length — in (mm)		Mounting depth (X) — in (mm)		Catalog no.									
		7.9 (200)		5.30~9.06 (135~230)		SH5-200									
		12.6 (320)		5.30~13.78 (135~350)		SH5-320									
		15.7 (400)		5.30~16.93 (135~430)		SH5-400									
		OR													
		Flange handle (1) - requires shaft operated mechanism or cable operated mechanism + cable													
		NEMA type		Flange style		Test Function		Padlockable		Defeatable		Catalog no.			
		1, 3R, 4, 12		Standard		N		Y		Y		FLH1			
		1, 3R, 4, 4X, 12		Chrome plated								FLH2			
		Shaft operated flange mechanism (2) - includes shaft													
		For enclosure depth — in (mm)		Catalog no.											
		6~24 (152~613)		FLRM											
		Cable operated flange mechanism and cable - must select mechanism (3) and cable (4)		Catalog no.											
		Item / length — in (mm)		Catalog no.											
		Cable mechanism		FLCM											
		36 (900) cable		FLC36											
		60 (1500) cable		FLC60											
		120 (3000) cable		FLC120											
		OR													
		NFFA through the door handle kit - to be used with front pistol handle													
		Color		Test function		Padlockable		Defeatable		Catalog no.					
		Red		N		Y		N		H79-2					
		AND...													
		Auxiliary contacts													
		Contact type		No. of contacts		Continuous amp rating		Voltage (Vac)		Max number of aux contacts per switch		Catalog no.			
		NO		1		10		600		4		BAC05			
		NC										BAC06			

Select for standard applications

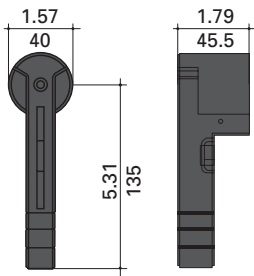
Handle

Disconnect switches

Dimensions — in (mm)

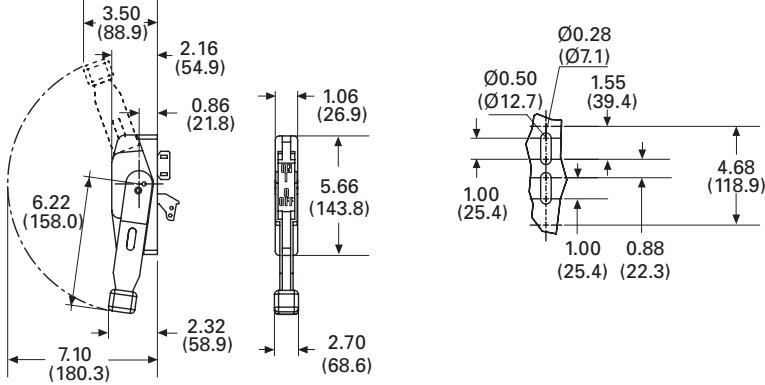


Direct mount handle



DIR-07

Flange handle



FLH_

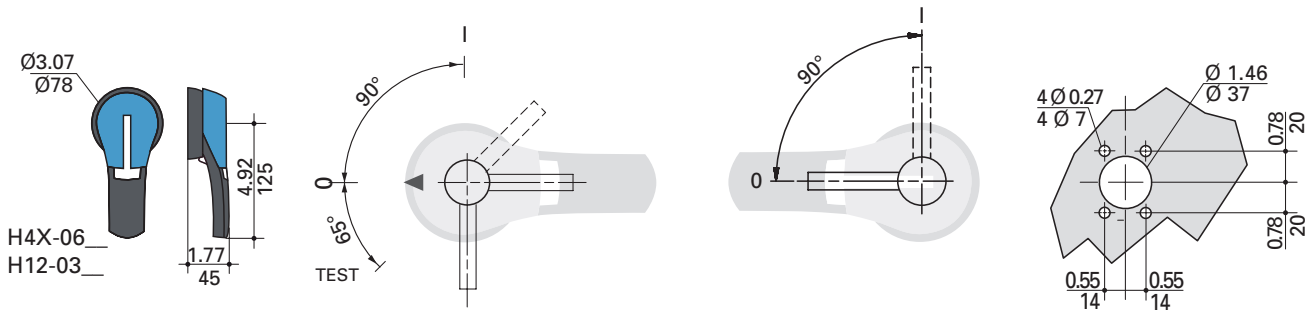
External front and right side pistol handle

Handle type

Direction of front operation





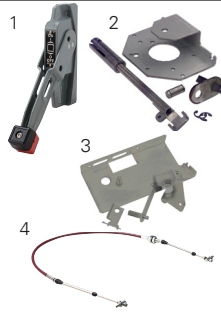


Direction of right side operation

Door drilling layout

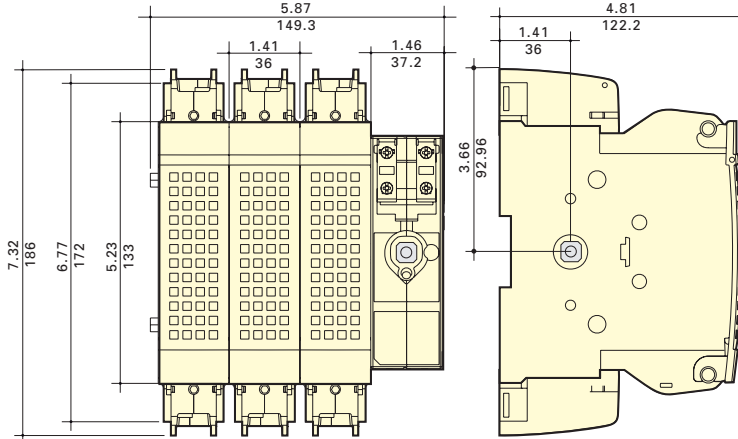


Standard 100 amp Class J

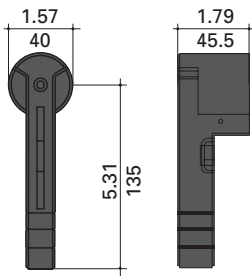
For a complete assembly, select:

		Switch											
Switch				Max horsepower rating									
		Amps	Fuse class	Poles	SCCR (kA)	1-phase	3-phase	DC*		Conductor			
						220/240	220/240	440/480	600	125	250	AWG size/type	Catalog no.
		100	J	2 3 4	200	10 - -	- 30 30	- 60 60	- 75 75	7.5 7.5 7.5	20 20 20	12-10 Sol/12-1 Str 75°C Cu	RDF100J-2 RDF100J-3 RDF100J-4
* DC ratings use two poles in series.													
PLUS													
Handles		Direct mount handle - mounts directly to switch, no shaft required											
		For switch cat. no.	Color	Test function	Padlockable	Catalog no.							
		All switches	Black	Y	Y	DIR-07							
OR													
Select for standard applications	 Or 	External front operated pistol handles - shaft required											
		NEMA type	Color	Test function	Padlockable	Defeatable	Catalog no.						
		1, 3R, 12	Black Red/yellow	N			H12-03B H12-03R						
		1, 3R, 4, 4X, 12	Black Red/yellow		Y	Y	H4X-06B H4X-06R						
			Black Red/yellow	Y			H4X-06TB H4X-06TR						
		Metallic hasp (heavy duty) external front operated pistol handles - shaft required											
		NEMA type	Color	Test function	Padlockable	Defeatable	Catalog no.						
		1, 3R, 4, 4X, 12	Black	N	Y	Y	H4X-06BHD H4X-06RHD						
		1, 3R, 4, 4X, 12	Red/yellow										
		External right side operated pistol handles - shaft required											
NEMA type	Color	Test function	Padlockable	Defeatable	Catalog no.								
1, 3R, 4, 4X, 12	Black Red/yellow	N	Y	N/A	H4X-06SB H4X-06SR								
Shafts for pistol handles													
Length — in (mm)	Mounting depth (X) - in (mm)									Catalog no.			
7.9 (200)	5.30~9.06 (135~230)									SH5-200			
12.6 (320)	5.30~13.78 (135~350)									SH5-320			
15.7 (400)	5.30~16.93 (135~430)									SH5-400			
OR													
Accessories		Flange handle (1) - requires shaft operated mechanism or cable operated mechanism + cable											
		NEMA type	Flange style	Test function	Padlockable	Defeatable	Catalog no.						
		1, 3R, 4, 12	Standard	N	Y	Y	FLH1						
		1, 3R, 4, 4X, 12	Chrome plated				FLH2						
		Shaft operated flange mechanism (2) - includes shaft											
		For enclosure depth — in (mm)	Catalog no.										
		6~24 (152~613)	FLRM										
		Cable operated flange mechanism and cable - must select mechanism (3) and cable (4)											
		Item / length — in (mm)	Catalog no.										
		Cable mechanism	FLCM										
36 (900) cable	FLC36												
60 (1500) cable	FLC60												
120 (3000) cable	FLC120												
OR													
Aux. contacts		NFPA through the door handle kit - to be used with front pistol handle											
		Color	Test function	Padlockable	Defeatable	Catalog no.							
		Red	N	Y	N	H79-2							
AND...													
Aux. contacts		Auxiliary contacts											
		Contact type	No. of contacts	Continuous amp rating	Voltage (Vac)	Max number of aux contacts per switch	Catalog no.						
		NO	1	10	600	4	BAC05						
		NC				BAC06							

Dimensions — in (mm)

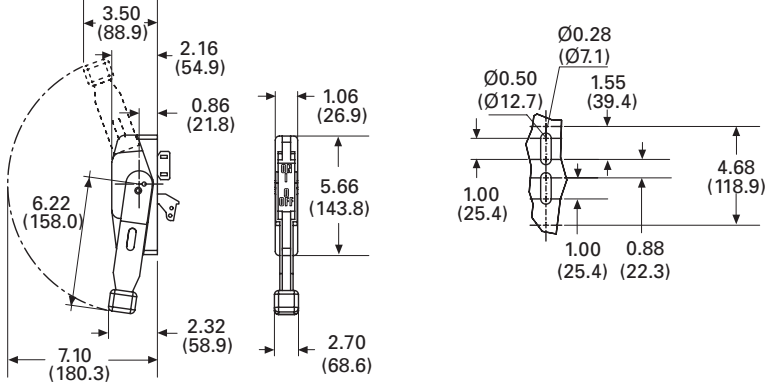


Direct mount handle



DIR-07

Flange handle



FLH_

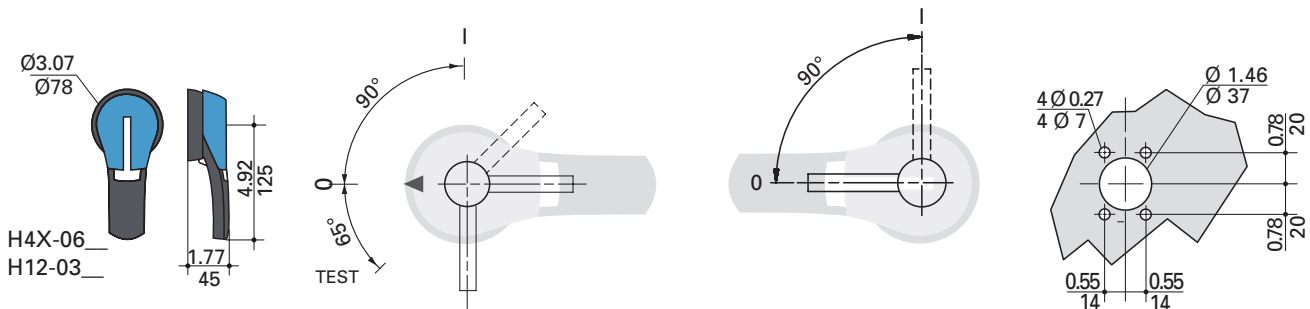
External front and right side pistol handle

Handle type

Direction of front operation

Direction of right side operation

Door drilling layout



Standard 200 and 400 amp Class J

For a complete assembly, select:

Switch	Amps	Fuse class	Poles	SCCR (kA)	Max horsepower rating					Catalog no.	
					1-phase		3-phase		DC*		
					220/240	220/240	440/480	600	125		250
200	J		2	200	10	-	-	-	-	RDF200J-2	
			3		-	60	125	150	-	RDF200J-3	
			4		-	60	125	150	-	RDF200J-4	
400			2		10	-	-	-	20	50	RDF400J-2
			3		-	125	250	350	20	50	RDF400J-3
			4		-	125	250	350	20	50	RDF400J-4

* DC ratings use two poles in series.

Terminal lug kit				
Switch amps	Poles	Lugs per kit	AWG wire / type	Catalog no.
200	2	2	6-300 kcmil 75°C Cu/Al	LUG1-2
	3	3		LUG1-3
	4	4		LUG1-4
400	2	2	4-600 kcmil or dual 1/0-250 kcmil 75°C Cu/Al	LUG2-2
	3	3		LUG2-3
	4	4		LUG2-4

PLUS

Direct mount handle - mounts directly to switch, no shaft required				
For switch cat. no.	Color	Test function	Padlockable	Catalog no.
All switches	Black	Y	Y	DIR-07

OR

External front operated pistol handles - shaft required					
NEMA type	Color	Test function	Padlockable	Defeatable	Catalog no.
1, 3R, 12	Black	N			H12-03B
	Red/yellow				H12-03R
	Black				H4X-06B
1, 3R, 4, 4X, 12	Red/yellow	Y	Y	Y	H4X-06R
	Black				H4X-06TB
	Red/yellow				H4X-06TR
	Black				

Or

Metallic hasp (heavy duty) external front operated pistol handles - shaft required					
NEMA type	Color	Test function	Padlockable	Defeatable	Catalog no.
1, 3R, 4, 4X, 12	Black	N	Y	Y	H4X-06BHD
	Red/yellow				H4X-06RHD

External right side operated pistol handles - shaft required					
NEMA type	Color	Test function	Padlockable	Defeatable	Catalog no.
1, 3R, 4, 4X, 12	Black	N	Y	N/A	H4X-06SB
	Red/yellow				H4X-06SR

Shafts for pistol handles		
Length — in (mm)	Mounting depth (X) — in (mm)	Catalog no.
7.9 (200)	200 A: 5.70-9.06 (145-230)	SH5-200
	400 A: 7.87-10.24 (200-260)	
12.6 (320)	200 A: 5.70-13.78 (145-350)	SH5-320
	400 A: 7.87-16.93 (200-380)	
15.7 (400)	200 A: 5.70-16.93 (145-430)	SH5-400
	400 A: 7.87-18.10 (200-460)	

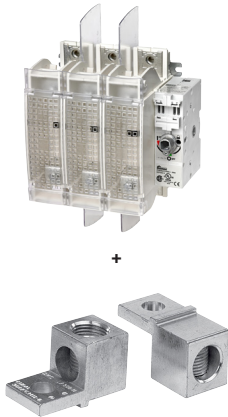
OR

Flange handle (1) 200 A only - requires shaft operated mechanism or cable operated mechanism + cable					
NEMA type	Flange style	Test function	Padlockable	Defeatable	Catalog no.
1, 3R, 4, 12	Standard	N	Y	Y	FLH1
1, 3R, 4, 4X, 12	Chrome plated				FLH2

Shaft operated flange mechanism (2) 200 A only - includes shaft	
For enclosure depth — in (mm)	Catalog no.
6~24 (152~613)	FLRM

Cable operated flange mechanism and cable 200 A only - must select Mechanism (3) and Cable (4)	
Item — in (mm)	Catalog no.
Cable mechanism	FLCM
36 (900) cable	FLC36
60 (1500) cable	FLC60
120 (3000) cable	FLC120

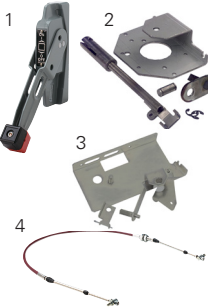
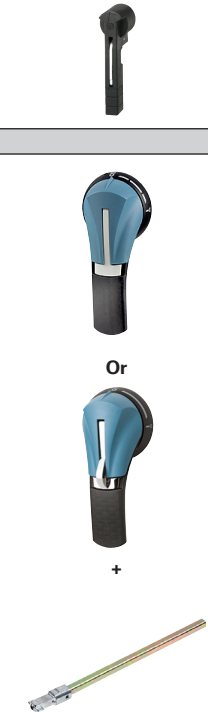
Switch + lugs



Disconnect switches

Select for standard applications

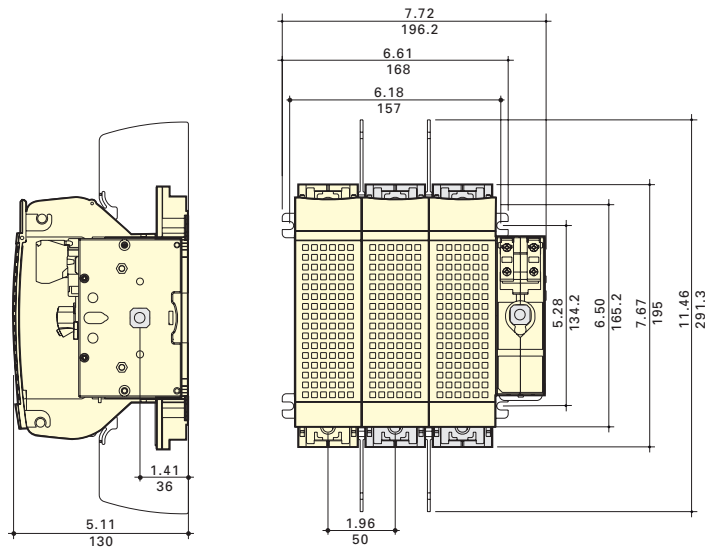
Handles



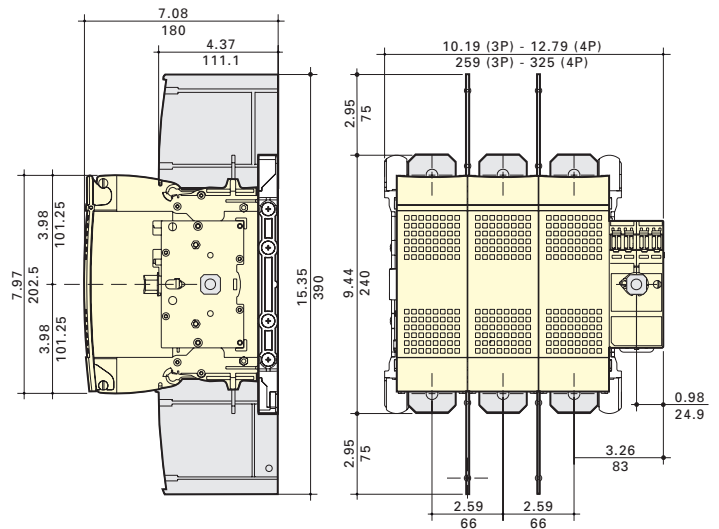
		OR						
		NFPA through the door handle kit - to be used with front pistol handle						
		Use with switch	Color	Test function	Padlockable	Defeatable	Catalog no.	
		RDF200J-__					H79-2	
		RDF400J-__	Red	N	Y	N	H79-3	
		AND...						
Aux. contacts		Auxiliary contacts						
		Contact type	No. of contacts	Continuous amp rating	Voltage (Vac)	Max number of aux contacts per switch catalog number	Catalog no.	
		NO	1	10	600	RDF200J-__: 4	BAC05	
		NC			RDF400J-__: 8	BAC06		
		AND...						
Accessories		Terminal shrouds - includes terminal shroud for lineside or loadside						
		Switch amps	Poles				Catalog no.	
		200	2					TSH8-2TB
			3					TSH8-3TB
			4					TSH8-4TB
2					TSH9-2TB			
3					TSH9-3TB			
400	2					TSH9-2TB		
	3					TSH9-3TB		
	4					TSH9-4TB		

Dimensions — in (mm)

RDF200J-3

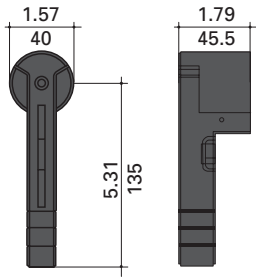


RDF400J-3

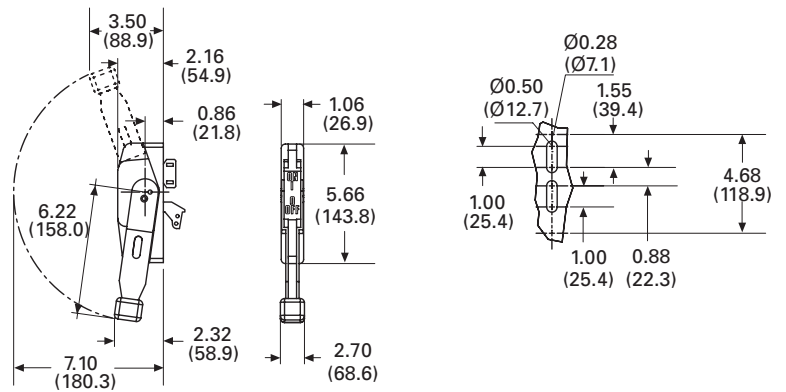


Dimensions — in (mm)

DIR-07 direct mount handle



FLH_ flange handle



Disconnect switches

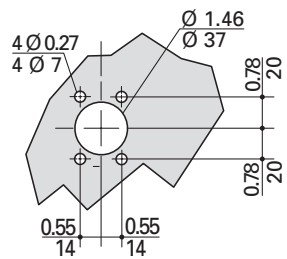
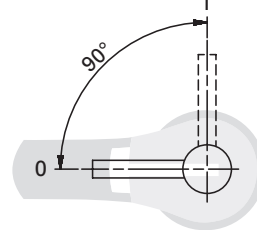
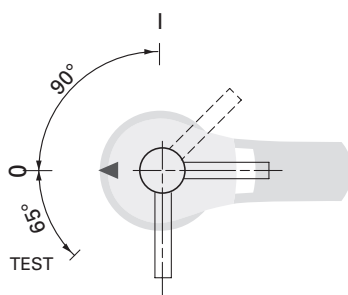
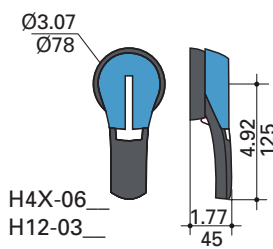
External front and right side pistol handle

Handle type

Direction of front operation

Direction of right side operation

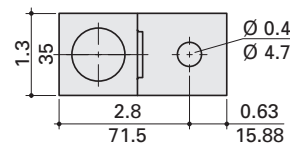
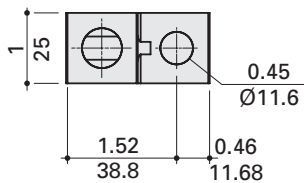
Door drilling layout



Terminal lugs

200 A (LUG1-__)

400 A (LUG2-__)



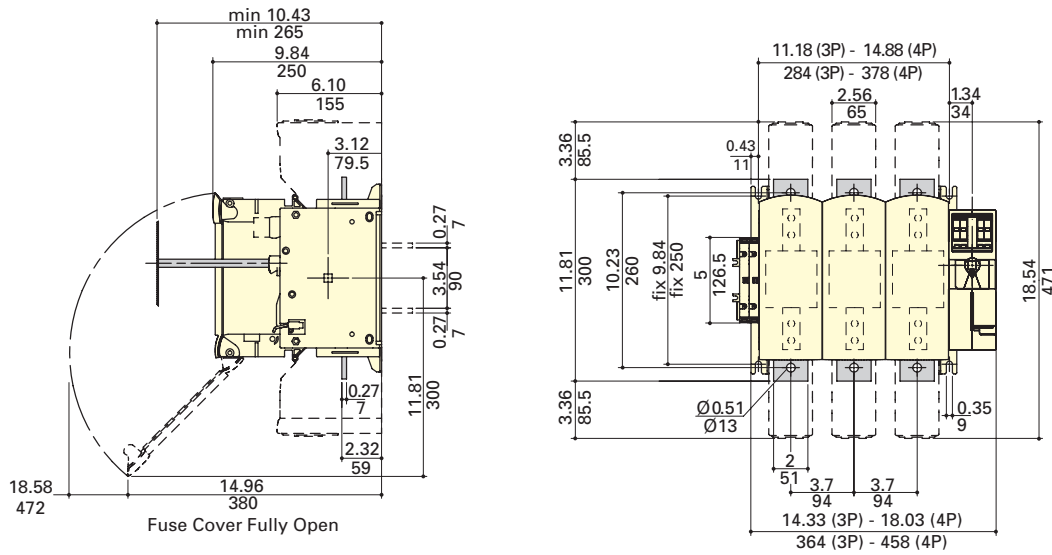
Standard 600 amp Class J and 800 amp Class L

For a complete assembly, select:

		Switch												
Switch + lugs		Amps		Fuse class	Poles	SCCR (kA)	Max horsepower rating, 3-phase			Catalog no.				
							220/240	440/480	600					
		600		J	2	200	-	-	-	RDF600J-2				
					3		200	400	500	RDF600J-3				
					4		200	400	500	RDF600J-4				
		800		L	2	-	-	-	RDF800L-2					
					3	200	500	500	RDF800L-3					
					4	200	500	500	RDF800L-4					
		Terminal lug kit												
		Switch amps		Poles	Lugs per kit	Conductor AWG size / type			Catalog no.					
		2	2				LUG5-2							
600-800		3	3	(2) 2-600 kcmil 75°C Cu/ Al			LUG5-3							
		4	4				LUG5-4							
PLUS														
Select for standard application		Direct mount handle - mounts directly to switch, no shaft required												
		For switch cat. no.	Color	Test function	Padlockable	Defeatable	Catalog no.							
		All switches	Black	Y	Y	N	DIR-08							
		OR												
		Handles		External front operated pistol handles - shaft required										
				NEMA type	Color	Test function	Padlockable	Defeatable	Catalog no.					
				1, 3R, 4, 4X, 12	Black Red/yellow	N	Y	Y	H4X-07B H4X-07R					
				Metallic hasp (heavy duty) external front operated pistol handles - shaft required										
				NEMA type	Color	Test function	Padlockable	Defeatable	Catalog no.					
				1, 3R, 4, 4X, 12	Black Red/yellow	N	Y	Y	H4X-07BHD H4X-07RHD					
Shafts for pistol handles														
Length — in (mm)	Mounting depth (X) — in (mm)			Catalog no.										
7.9 (200)	10.63~11.97 (270~304)			SH7-200										
12.6 (320)	10.63~16.69 (270~424)			SH7-320										
15.7 (400)	10.63~19.84 (270~504)		SH7-400											
OR														
Accessories		NFPA through the door handle kit - to be used with front pistol handle												
		For switch cat. no.	Color	Test function	Padlockable	Defeatable	Catalog no.							
		All switches	Red	N	Y	N	H79-4							
		AND...												
		Aux. contacts		Auxiliary contacts										
				Contact type	No. of contacts	Continuous amp rating	Voltage (Vac)	Max number of aux contacts per switch	Catalog no.					
				NO	1	10	600	8	BAC05					
				NC					BAC06					
				AND...										
				Shrouds		Terminal shrouds - includes terminal shroud for lineside or loadside								
Switch amps	Poles					Catalog no.								
	2					TSH10-2TB								
600-800	3					TSH10-3TB								
	4					TSH10-4TB								

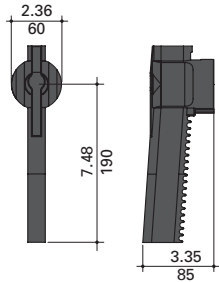
Dimensions — in (mm)

RDF600J-3 and RDF800L-3



Disconnect switches

Dir-08 direct mount handle

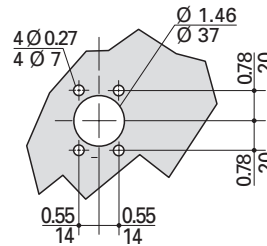
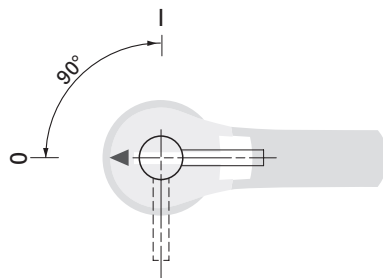
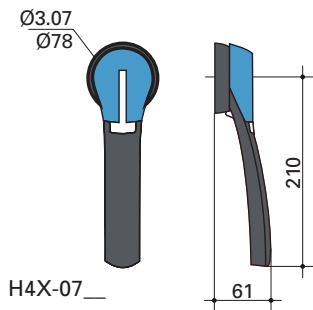


External front pistol handle

Handle type

Direction of front operation

Door drilling layout



Terminal lugs

600 to 800 A (LUG5-__)

