



Chipsmall Limited consists of a professional team with an average of over 10 year of expertise in the distribution of electronic components. Based in Hongkong, we have already established firm and mutual-benefit business relationships with customers from,Europe,America and south Asia,supplying obsolete and hard-to-find components to meet their specific needs.

With the principle of “Quality Parts,Customers Priority,Honest Operation,and Considerate Service”,our business mainly focus on the distribution of electronic components. Line cards we deal with include Microchip,ALPS,ROHM,Xilinx,Pulse,ON,Everlight and Freescale. Main products comprise IC,Modules,Potentiometer,IC Socket,Relay,Connector.Our parts cover such applications as commercial,industrial, and automotives areas.

We are looking forward to setting up business relationship with you and hope to provide you with the best service and solution. Let us make a better world for our industry!



Contact us

Tel: +86-755-8981 8866 Fax: +86-755-8427 6832

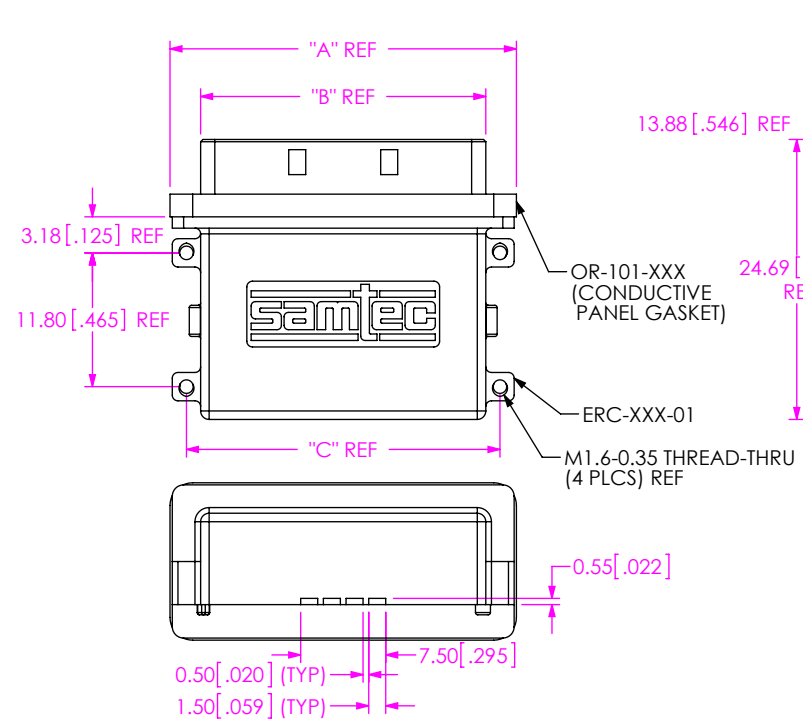
Email & Skype: info@chipsmall.com Web: www.chipsmall.com

Address: A1208, Overseas Decoration Building, #122 Zhenhua RD., Futian, Shenzhen, China



DO NOT SCALE FROM THIS PRINT

FIG 1
(ERC-019-01-02 SHOWN)
(WITH CONDUCTIVE PANEL GASKET)



ERC-XXX-01-XX

No OF POSITIONS
-019 = 19 POSITION
-031 = 31 POSITION

OPTIONS
-01 = WITHOUT GASKET
-02 = WITH GASKET

RIGHT ANGLE CAGE

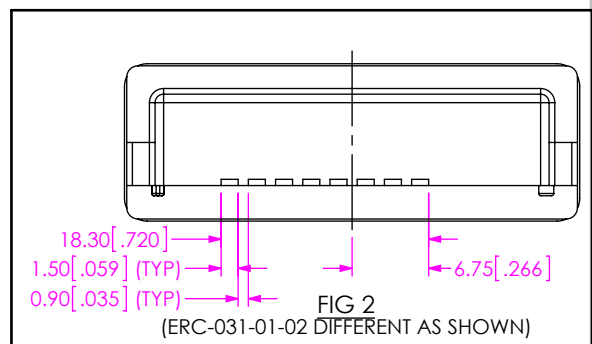
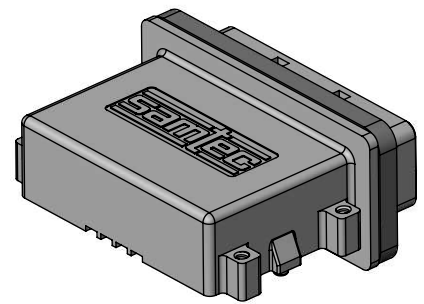
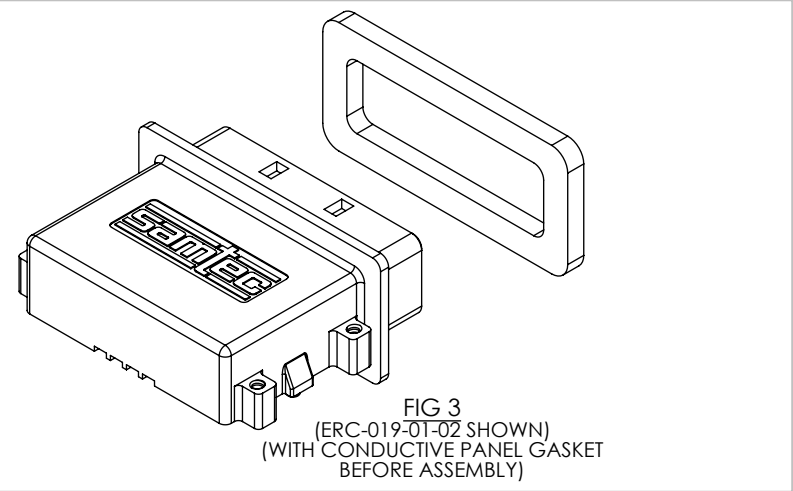
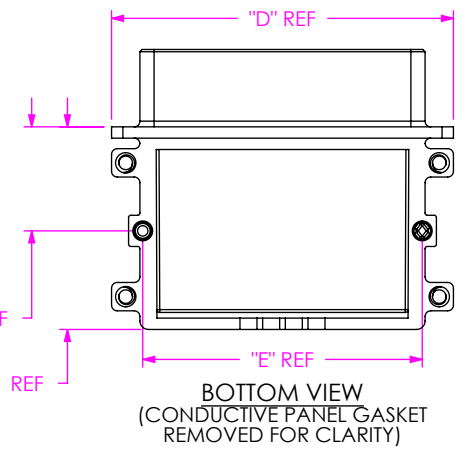


TABLE 1

ASSY P/N	"A"		"B"		"C"		"D"		"E"		CAGE P/N	PANEL GASKET P/N
	mm	inches	mm	inches	mm	inches	mm	inches	mm	inches		
ERC-019-01-01	30.55	1.203	25.15	.990	27.65	1.089	30.15	1.187	24.65	.970	ERC-019-01	N/A
ERC-019-01-02												OR-101-019
ERC-031-01-01	40.15	1.580	34.75	1.368	37.25	1.466	39.75	1.565	34.25	1.348	ERC-031-01	N/A
ERC-031-01-02												OR-101-031

NOTES:
1. $\text{\textcircled{C}}$ REPRESENTS A CRITICAL DIMENSION.
2. PARTS TO BE PACKAGED IN TRAYS, PROVIDED BY SAMTEC.

UNLESS OTHERWISE SPECIFIED, DIMENSIONS ARE IN MILLIMETERS [INCHES].

TOLERANCES ARE:
DECIMALS ANGLES
X.X: ±0.3 [.01] 2°
X.XX: ±0.13 [.005]
X.XXX: ±0.025 [.0010]

PROPRIETARY NOTE
THIS DOCUMENT CONTAINS INFORMATION CONFIDENTIAL AND PROPRIETARY TO SAMTEC, INC. AND SHALL NOT BE REPRODUCED OR TRANSFERRED TO OTHER DOCUMENTS OR DISCLOSED TO OTHERS OR USED FOR ANY PURPOSE OTHER THAN THAT WHICH IT WAS OBTAINED WITHOUT THE EXPRESSED WRITTEN CONSENT OF SAMTEC, INC.



520 PARK EAST BLVD, NEW ALBANY, IN 47150
PHONE: 812-944-6733 FAX: 812-948-5047
e-Mail: info@SAMTEC.com code: 55322

MATERIAL: DO NOT SCALE DRAWING SHEET SCALE: 2:1
DIECAST CAGE: ZINC ALLOY
PANEL GASKET: ORNI BEARING CONDUCTIVE FOAM

DESCRIPTION:
ER18 RIGHT ANGLE PCB CAGE ASSY
DWG. NO.

ERC-XXX-01-XX

BY: KNOWLDEN 5/9/2007 SHEET 1 OF 1