



Chipsmall Limited consists of a professional team with an average of over 10 year of expertise in the distribution of electronic components. Based in Hongkong, we have already established firm and mutual-benefit business relationships with customers from,Europe,America and south Asia,supplying obsolete and hard-to-find components to meet their specific needs.

With the principle of “Quality Parts,Customers Priority,Honest Operation,and Considerate Service”,our business mainly focus on the distribution of electronic components. Line cards we deal with include Microchip,ALPS,ROHM,Xilinx,Pulse,ON,Everlight and Freescale. Main products comprise IC,Modules,Potentiometer,IC Socket,Relay,Connector.Our parts cover such applications as commercial,industrial, and automotives areas.

We are looking forward to setting up business relationship with you and hope to provide you with the best service and solution. Let us make a better world for our industry!



Contact us

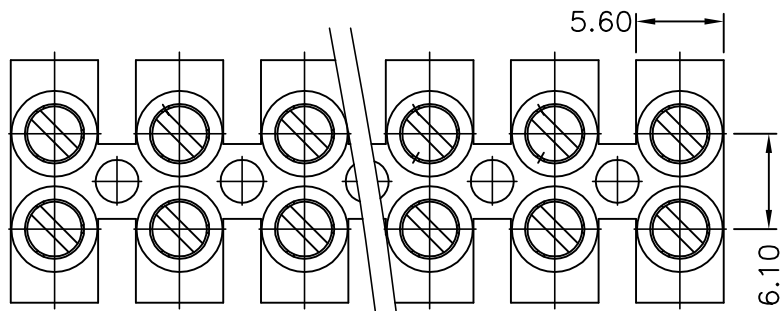
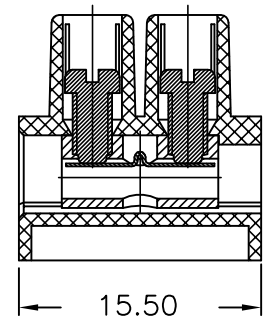
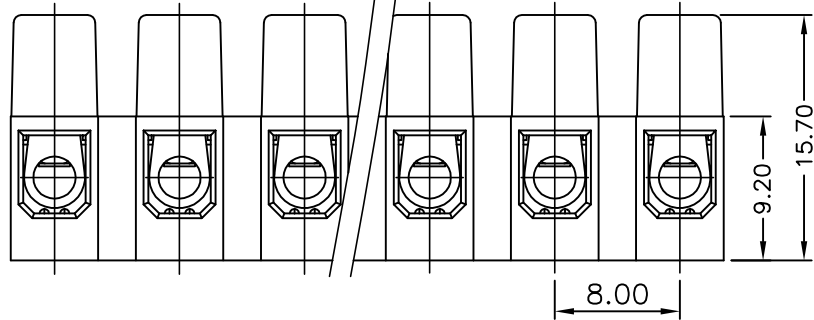
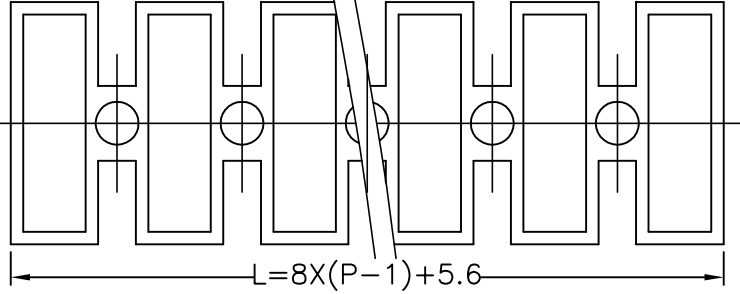
Tel: +86-755-8981 8866 Fax: +86-755-8427 6832

Email & Skype: info@chipsmall.com Web: www.chipsmall.com

Address: A1208, Overseas Decoration Building, #122 Zhenhua RD., Futian, Shenzhen, China



SIGN	DATE	DESCRIPTION	APPROVER
<i>THIS IS CAD DRAWING, DO NOT REVISE MANUALLY!!!</i>			



NOTES:

1. Rating: 300V 15A (UL)
2. Insulation Withstanding Voltage: AC2000V/MIN
3. Insulation Resistance: $\geq 500M\Omega$ or more at DC500V
4. Temperature Range: $-33^{\circ}C/+105^{\circ}C$
5. Screw Torque Value: 3.5 lbf-in (UL)
6. Suitable Electric Wire: 14-22AWG

RoHS Compliant

DIM	P	2	3	4	5	6	7	8	9	10	11	12
L	13.6	21.6	29.6	37.6	45.6	53.6	61.6	69.6	77.6	85.6	93.6	
TOL. (±)	0.08	0.12	0.16	0.20	0.24	0.28	0.32	0.36	0.40	0.44	0.48	



THESE DRAWINGS AND SPECIFICATIONS ARE THE PROPERTY OF ON-SHORE TECHNOLOGY, INC. AND SHALL NOT BE REPRODUCED, COPIED OR USED IN ANY MANNER WITHOUT THE PRIOR WRITTEN CONSENT OF ON-SHORE TECHNOLOGY, INC.

TITLE		ES0800 Series - 8.0mm Euro Strip, Wire guard, flat base					
PART NO.	ES0800/XXDSFB	DCX - number of poles per row		DWG NO.	ES0800/XXDSFB.DWG		
APPROVED	CHECKED	DESIGNED	DRAWN	5020		Tolerance	
KSZ 2007.08.01	KSZ 2007.08.01	KSZ 2007.08.01	KSZ 2007.08.01			UNIT: mm	.X ±015
				SHEET: 01/01		SCALE: NONE	.XX ±0.075
						REV.: A	.XXX ±0.05