



Chipsmall Limited consists of a professional team with an average of over 10 year of expertise in the distribution of electronic components. Based in Hongkong, we have already established firm and mutual-benefit business relationships with customers from,Europe,America and south Asia,supplying obsolete and hard-to-find components to meet their specific needs.

With the principle of "Quality Parts,Customers Priority,Honest Operation,and Considerate Service",our business mainly focus on the distribution of electronic components. Line cards we deal with include Microchip,ALPS,ROHM,Xilinx,Pulse,ON,Everlight and Freescale. Main products comprise IC,Modules,Potentiometer,IC Socket,Relay,Connector.Our parts cover such applications as commercial,industrial, and automotives areas.

We are looking forward to setting up business relationship with you and hope to provide you with the best service and solution. Let us make a better world for our industry!



Contact us

Tel: +86-755-8981 8866 Fax: +86-755-8427 6832

Email & Skype: info@chipsmall.com Web: www.chipsmall.com

Address: A1208, Overseas Decoration Building, #122 Zhenhua RD., Futian, Shenzhen, China



NEW



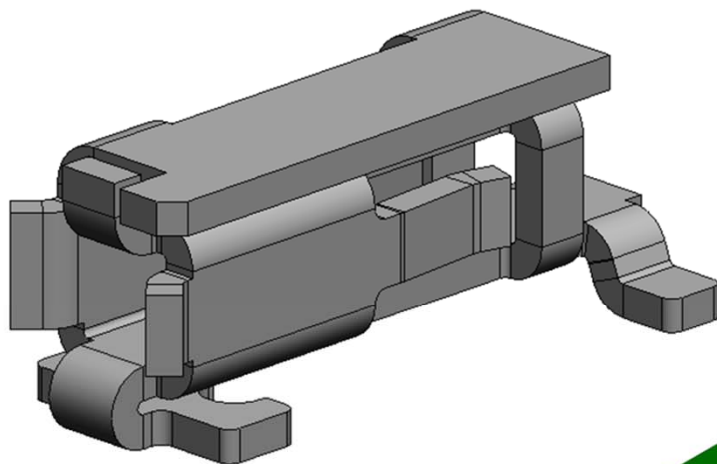
ES10 Series

CONNECTOR

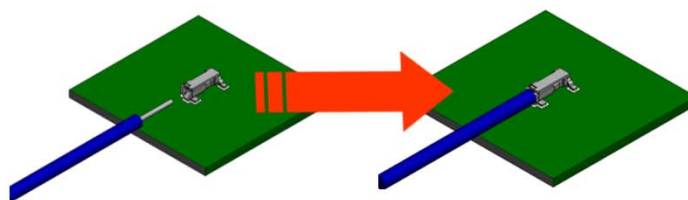
MB-0274-1

January 2014

RoHS Compliant



[When cable is inserted]



<<Outline>>

The ES10 Series is a compact, low-profile single wire cable insertion type connector without an insulator compatible with LED lighting equipment. It can be used for a wide range of various compact devices such as liquid crystal TV backlight, tablet PC, and others.

Features

- Compact and low-profile structure without an insulator enhances design flexibility for customers.
- Just need to insert the stripped wire into the connector for connection.
- Improved insertion workability with a guiding mechanism at the single wire insertion area.
- Improved contact reliability with an original spring contacting structure.
- Available in embossed tape reel packaging for automated mounting.

General Specifications

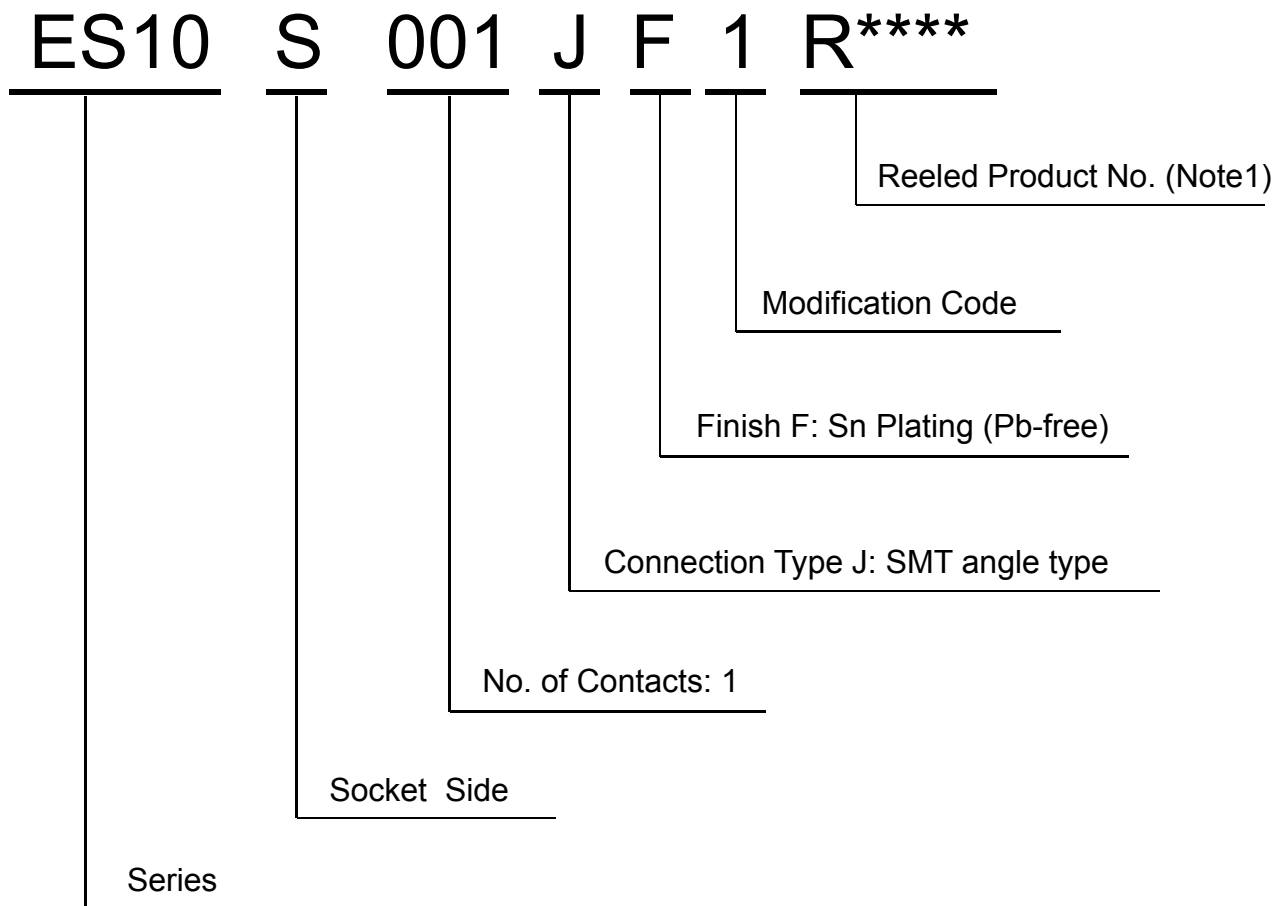
- | | |
|---------------------------------|--|
| ■ No. of Contacts: 1 pin | ■ Durability: 5 times |
| ■ Contact Resistance: 30mΩ max. | ■ Operating Temperature:
-40 Deg. C to +105 Deg. C |
| ■ Rated Current: AC/DC 2A | ■ Applicable Wire:
Single wire 26 to 24 AWG equivalent
(φ0.4mm to φ0.51mm)
Covered diameter φ2.0mm max. (recommended) |

* twisted wire (including spare solder) can not be used

Materials and Finishes

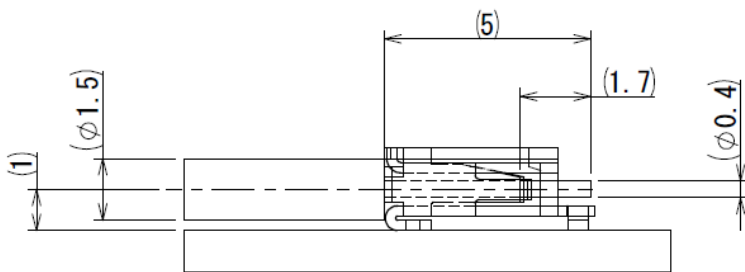
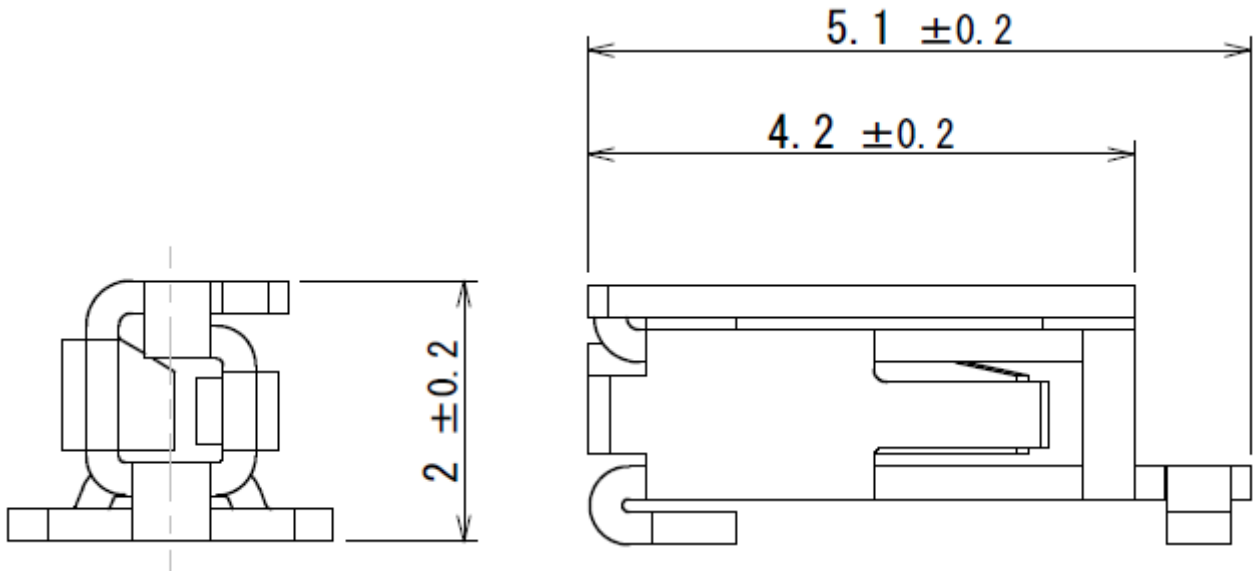
Component	Material and Finish
Contact	Copper alloy / Sn plating

Ordering Information

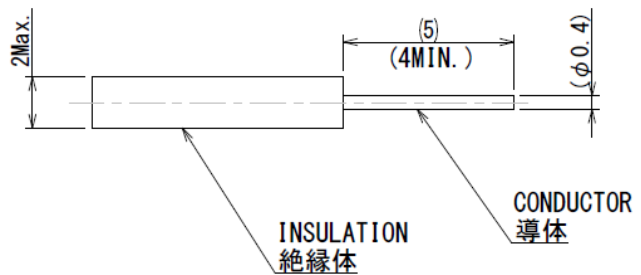


Note 1: An embossed tape reel contains 4,500 pieces.

Part Number	ES10S001JF1
Drawing No.	SJ113985



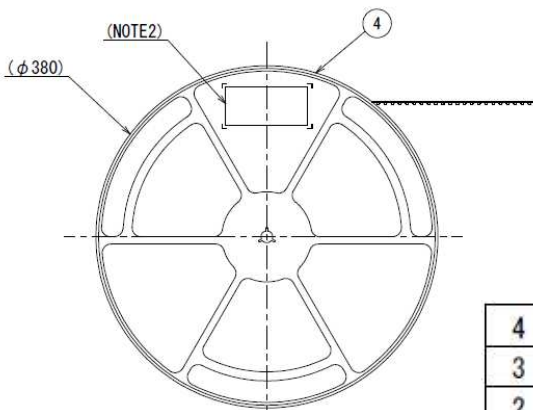
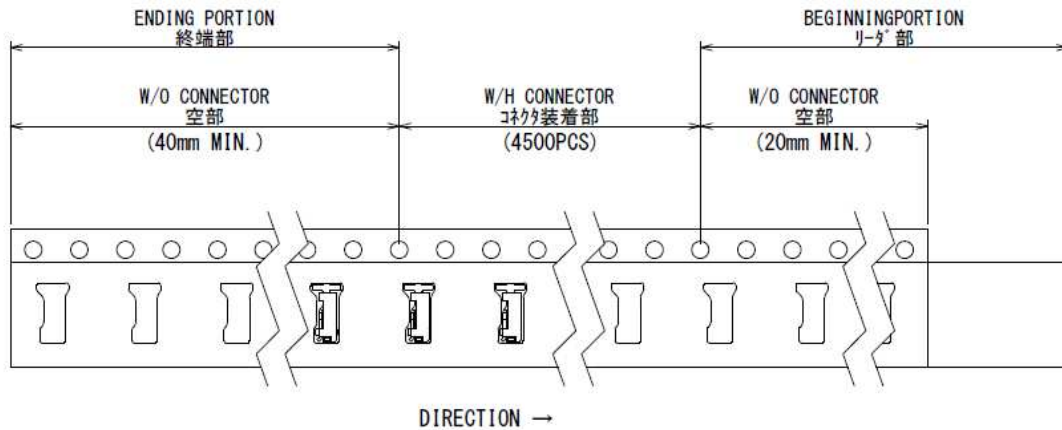
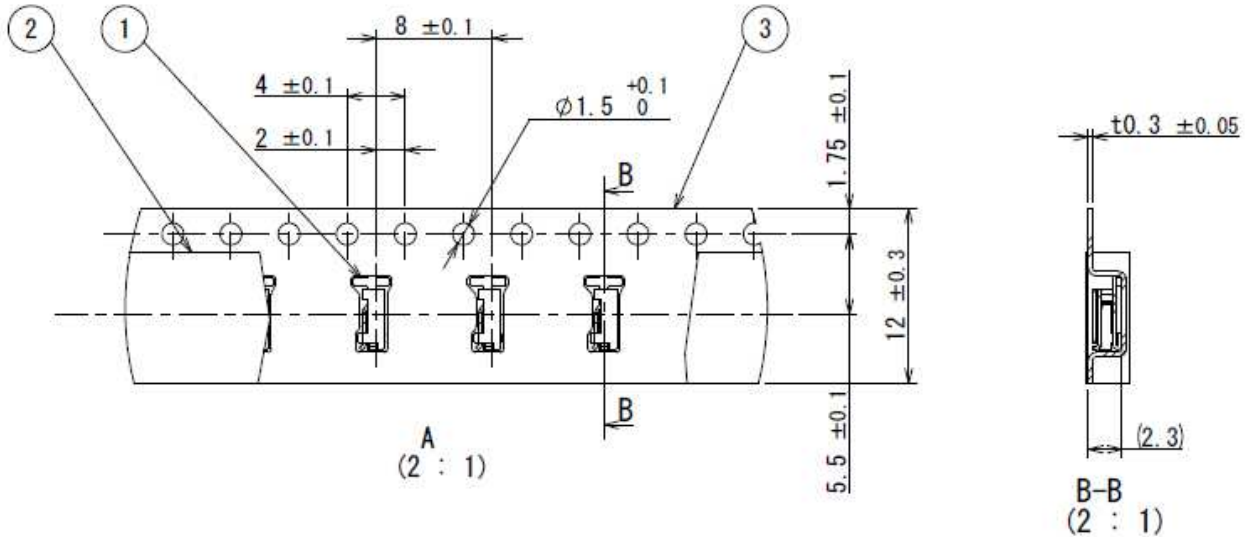
MATED CONDITION (REF.)



Note 1: Applicable cable (conductor): single wire 26AWG (0.4 Dia.)
 Applicable cable (insulator): 2.0 Dia. max. *Please contact us regarding other sizes.
 Note 2: Twisted wire can not be used.

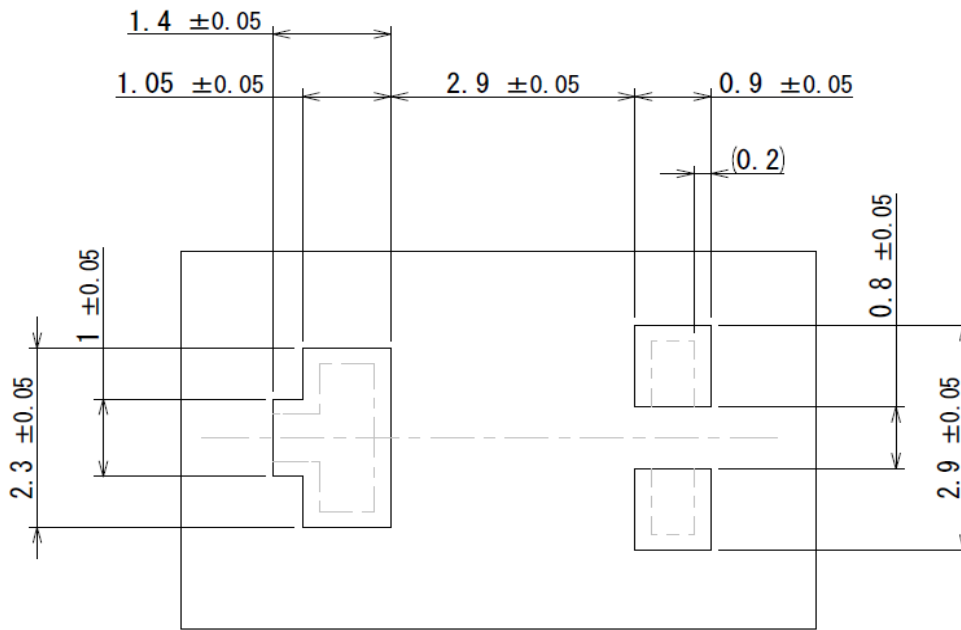
1	CONNECTOR	1	COPPER ALLOY	LEAD-FREE TIN PLATING
符号 NO.	名称 DESCRIPTION	个数 QTY.	材料 MATERIAL	仕上 FINISH

Part Number	ES10S001JF1R4500
Drawing No.	SJ113986



4	REEL	1	POLYSTYRENE
3	CARRIER TAPE	1	POLYSTYRENE
2	COVER TAPE	1	POLYESTER
1	CONNECTOR	4500	
符号 NO.	名 称 DESCRIPTION	個 数 QTY.	材 料 MATERIAL

<Applicable Board Dimensions>



Technical Documents

	Technical Document No. (Content of documents)
Product Drawings	SJ113985 (ES10S001JF1 individual product) SJ113986 (ES10S001JF1 embossed packaging product)
Specifications	JACS-10984
Handling Instructions	JAHL-10984

Notice:

- The values specified in this brochure are only for reference. The products and their specifications are subject to change without notice. Contact our sales staff for further information before considering or ordering any of our products. For purchase, a product specification must be agreed upon.
- Users are requested to provide protection circuits and redundancy circuits to ensure safety of the equipment, and sufficiently review the suitability of JAE's products to the equipment.
- The products presented in this brochure are designed for the uses recommended below. We strongly suggest you contact our sales staff when considering use of any of the products in any other way than the recommended applications or for a specific use that requires an extremely high reliability.
 - Applications that require consultation:
 - Please contact us if you are considering use involving a quality assurance program that you specify or that is peculiar to the industry, such as:
Automotive electrical components, train control, telecommunications devices (mainline), traffic light control, electric power, combustion control, fire prevention or security systems, disaster prevention equipment, etc.
 - We may separately give you our support with a quality assurance program that you specify, when you think of a use such as :
Aviation or space equipment, submarine repeaters, nuclear power control systems, medical equipment for life support, etc.
 - Recommended applications include:
Computers, office appliances, telecommunications devices (terminals, mobile units), measuring equipment, audiovisual equipment, home electric appliances, factory automation equipment, etc

Japan Aviation Electronics Industry, Limited

Product Marketing Division
 Aobadai Building, 3-1-19, Aobadai, Meguro-ku, Tokyo 153-8539
 Phone: +81-3-3780-2882 FAX: +81-3-3780-2946

* The specifications in this brochure are subject to change without notice. Please contact JAE for information.