



Chipsmall Limited consists of a professional team with an average of over 10 year of expertise in the distribution of electronic components. Based in Hongkong, we have already established firm and mutual-benefit business relationships with customers from,Europe,America and south Asia,supplying obsolete and hard-to-find components to meet their specific needs.

With the principle of “Quality Parts,Customers Priority,Honest Operation,and Considerate Service”,our business mainly focus on the distribution of electronic components. Line cards we deal with include Microchip,ALPS,ROHM,Xilinx,Pulse,ON,Everlight and Freescale. Main products comprise IC,Modules,Potentiometer,IC Socket,Relay,Connector.Our parts cover such applications as commercial,industrial, and automotives areas.

We are looking forward to setting up business relationship with you and hope to provide you with the best service and solution. Let us make a better world for our industry!



Contact us

Tel: +86-755-8981 8866 Fax: +86-755-8427 6832

Email & Skype: info@chipsmall.com Web: www.chipsmall.com

Address: A1208, Overseas Decoration Building, #122 Zhenhua RD., Futian, Shenzhen, China



ES

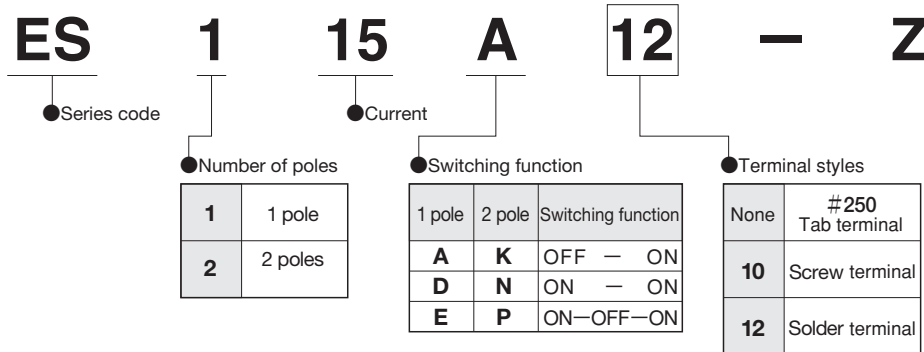


RoHS Compliant

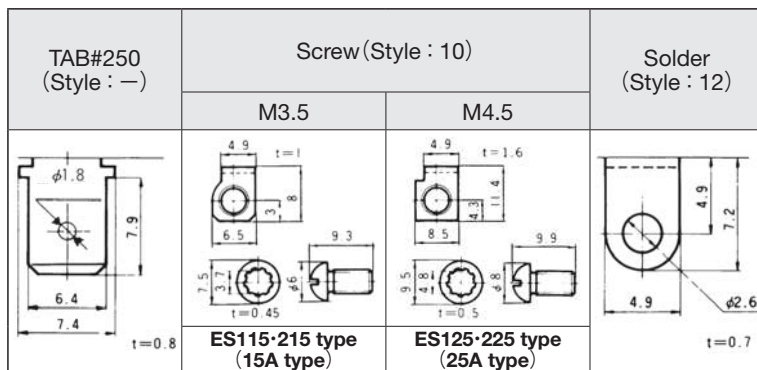


Miniature Slide Switches

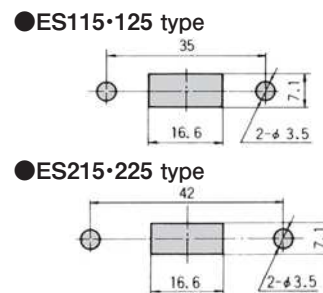
Part Numbering



Terminal Styles

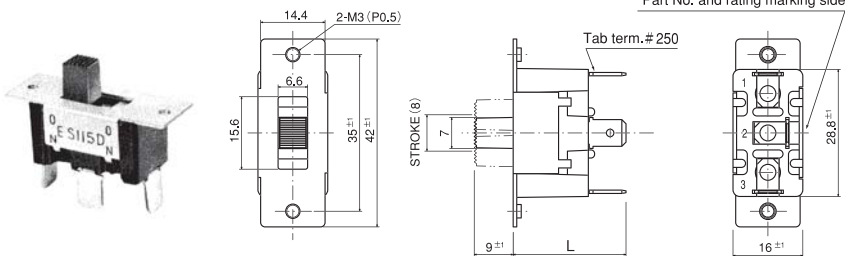


Panel Cut-Out Dimensions



ES115 1-pole

Switches with switching function "A" do not have terminal No. 2.



Dimension L

Terminal style	TAB	Screw	Solder
Part No.			
ES115A- ■ -Z	25.2±1	—	22.3±1
ES115D- ■ -Z	25.2±1	—	22.3±1
ES115E- ■ -Z	25.7±1	—	22.8±1

Switching function	Viewed from part No. marking side		
Part No.			
ES115A- ■ -Z	OFF	—	ON
Connecting terminals	—	—	1-3
ES115D- ■ -Z	ON	—	ON
ES115E- ■ -Z	ON	OFF	ON
Connecting terminals	2-1	—	2-3

Specifications

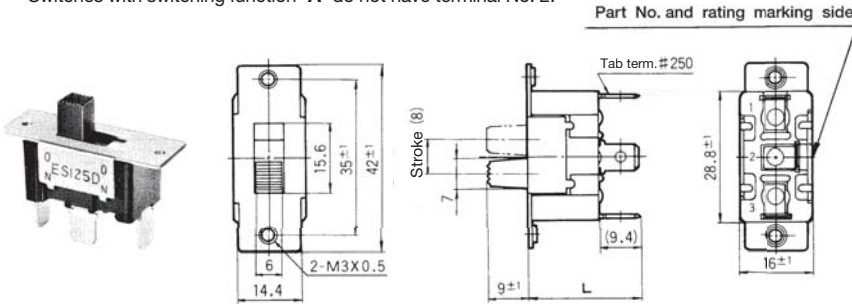
Rating	Initial contact resistance	Dielectric strength	Insulation resistance	Electrical life
ES115A- ■ -Z AC125V 15A	20mΩ Max. (DC2~4V 100mA)	AC1500V 1minute	100MΩ Min. (DC500V)	20,000 cycles
ES115D- ■ -Z AC250V 15A				
ES115E- ■ -Z AC125V 15A AC250V 7A				

■ To check the full part number of the products marked with the ■, please refer to "Table of Part Numbers" on P. 530.

ES

ES125 1-pole

Switches with switching function "A" do not have terminal No. 2.



Specifications

Terminal numbers are shown on the bottom of the switch.

Rating	Initial contact resistance	Dielectric strength	Insulation resistance	Electrical life
ES125A■-Z AC125V 25A	20mΩ Max. (DC2~4V 100mA)	AC1500V minute	100MΩ Min. (DC500V)	20,000 cycles
ES125D■-Z AC250V 25A				
ES125E■-Z AC125V 25A AC250V 12A				

Dimension L

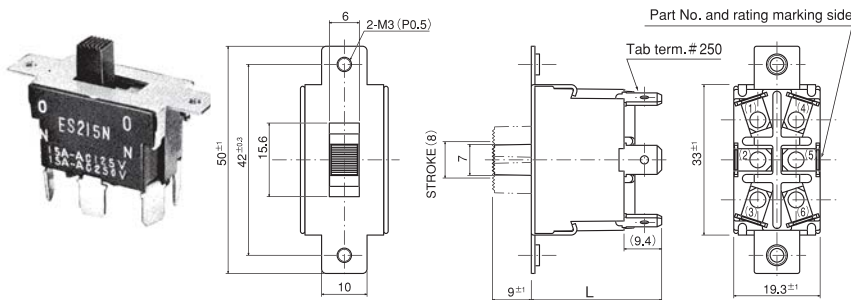
Terminal style	TAB	Screw	Solder
Part No.			
ES125A■-Z	25.2±1	26.4±1	22.3±1
ES125D■-Z			
ES125E■-Z	25.7±1	—	22.7±1

Switching function	Viewed from part No. marking side		
Part No.			
ES125A■-Z	OFF	—	ON
Connecting terminals	—	—	1-3
ES125D■-Z	ON	—	ON
ES125E■-Z	ON	OFF	ON
Connecting terminals	2-1	—	2-3

■ To check the full part number of the products marked with the ■, please refer to "Table of Part Numbers" on P. 530.

ES215 2-poles

Switches with switching function "K" do not have terminal No. 2 and No. 5.



Specifications

Terminal numbers are shown on the bottom of the switch.

Rating	Initial contact resistance	Dielectric strength	Insulation resistance	Electrical life
ES215K■-Z AC125V 15A	20mΩ Max. (DC2~4V 100mA)	AC1500V 1minute	100MΩ Min. (DC500V)	20,000 cycles
ES215N■-Z AC250V 15A				
ES215P■-Z AC125V 15A AC250V 7A				

Dimension L

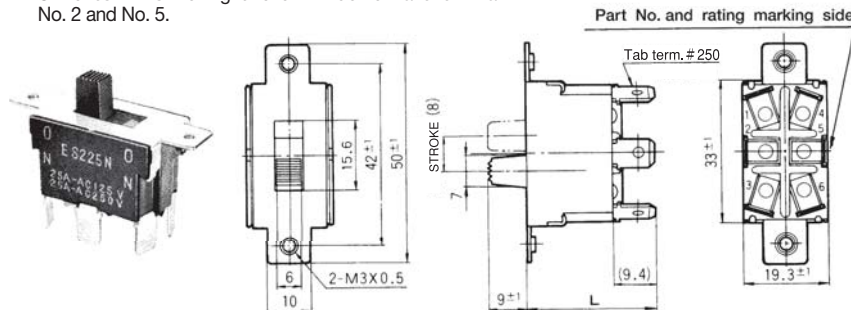
Terminal	TAB	Screw	Solder
Part No.			
ES215K■-Z	—	—	26.4±1
ES215N■-Z	29.3±1	27.1±1	
ES215P■-Z	—	—	

Switching function	Viewed from part No. marking side		
Part No.			
ES215K■-Z	OFF	—	ON
Connecting terminals	—	—	1-3 4-6
ES215N■-Z	ON	—	ON
ES215P■-Z	ON	OFF	ON
Connecting terminals	2-1 5-4	—	2-3 5-6

■ To check the full part number of the products marked with the ■, please refer to "Table of Part Numbers" on P. 530.

ES225 2-poles

Switches with switching function "K" do not have terminal No. 2 and No. 5.



Specifications

Terminal numbers are shown on the bottom of the switch.

Rating	Initial contact resistance	Dielectric strength	Insulation resistance	Electrical life
ES225K■-Z AC125V 25A	20mΩ Max. (DC2~4V 100mA)	AC1500V minute	100MΩ Min. (DC500V)	20,000 cycles
ES225N■-Z AC250V 25A				
ES225P■-Z AC125V 25A AC250V 12A				

Dimension L

Terminal style	TAB	Screw	Solder
Part No.			
ES225K■-Z	—	—	26.4±1
ES225N■-Z	29.3±1	30.6±1	
ES225P■-Z	—	—	

Switching function	Viewed from part No. marking side		
Part No.			
ES225K■-Z	OFF	—	ON
Connecting terminals	—	—	1-3 4-6
ES225N■-Z	ON	—	ON
ES225P■-Z	ON	OFF	ON
Connecting terminals	2-1 5-4	—	2-3 5-6

■ To check the full part number of the products marked with the ■, please refer to "Table of Part Numbers" on P. 530.

■ indicates the terminal style number ("None", "10", or "12").

● For the soldering specifications and flux cleaning specifications, please refer to P. 525.